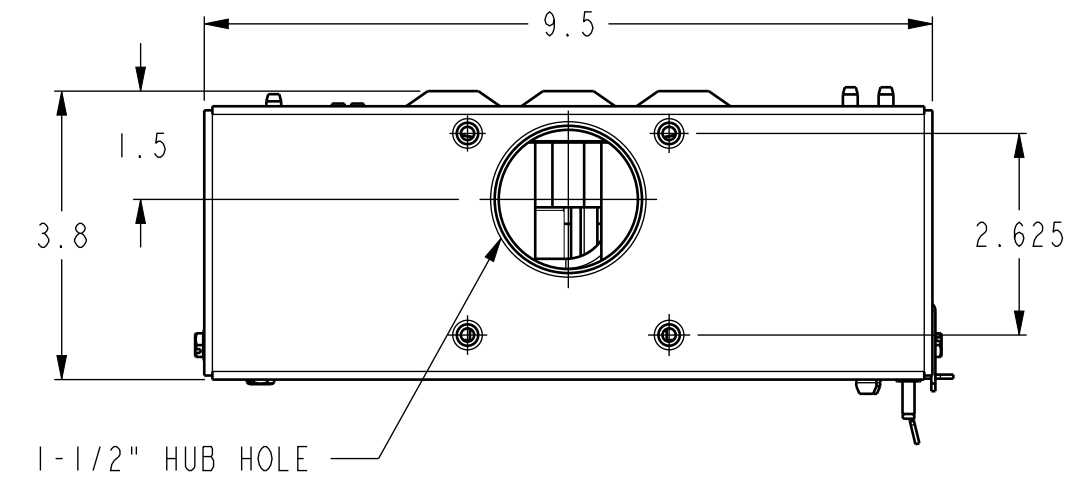
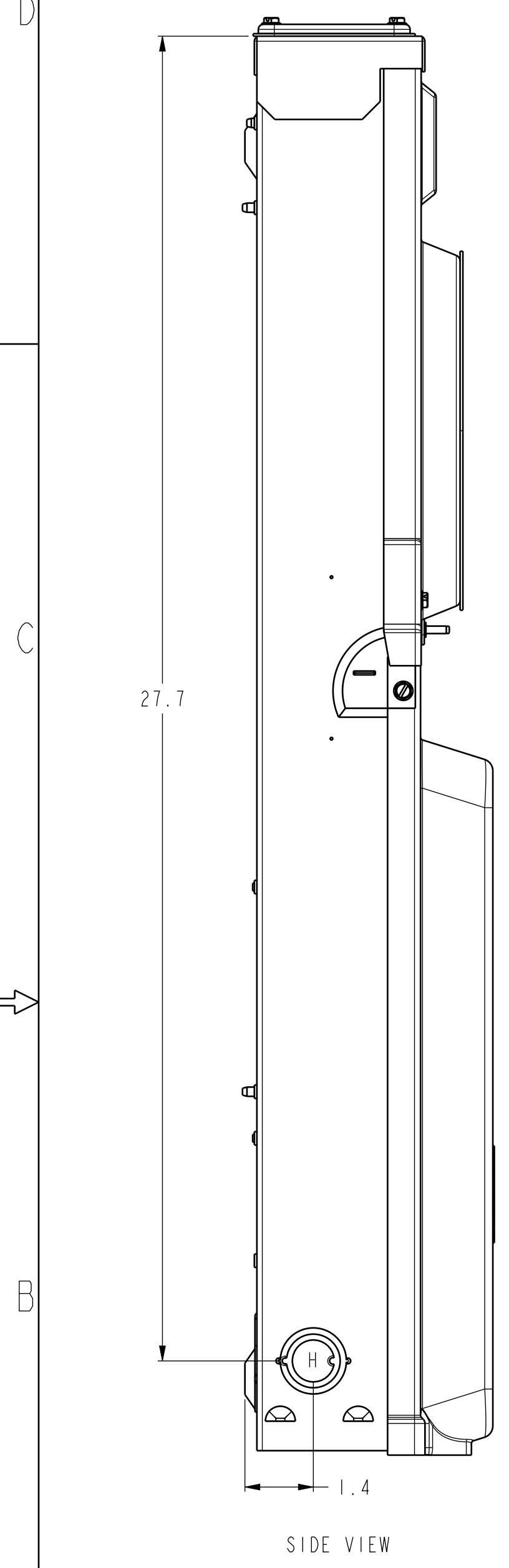
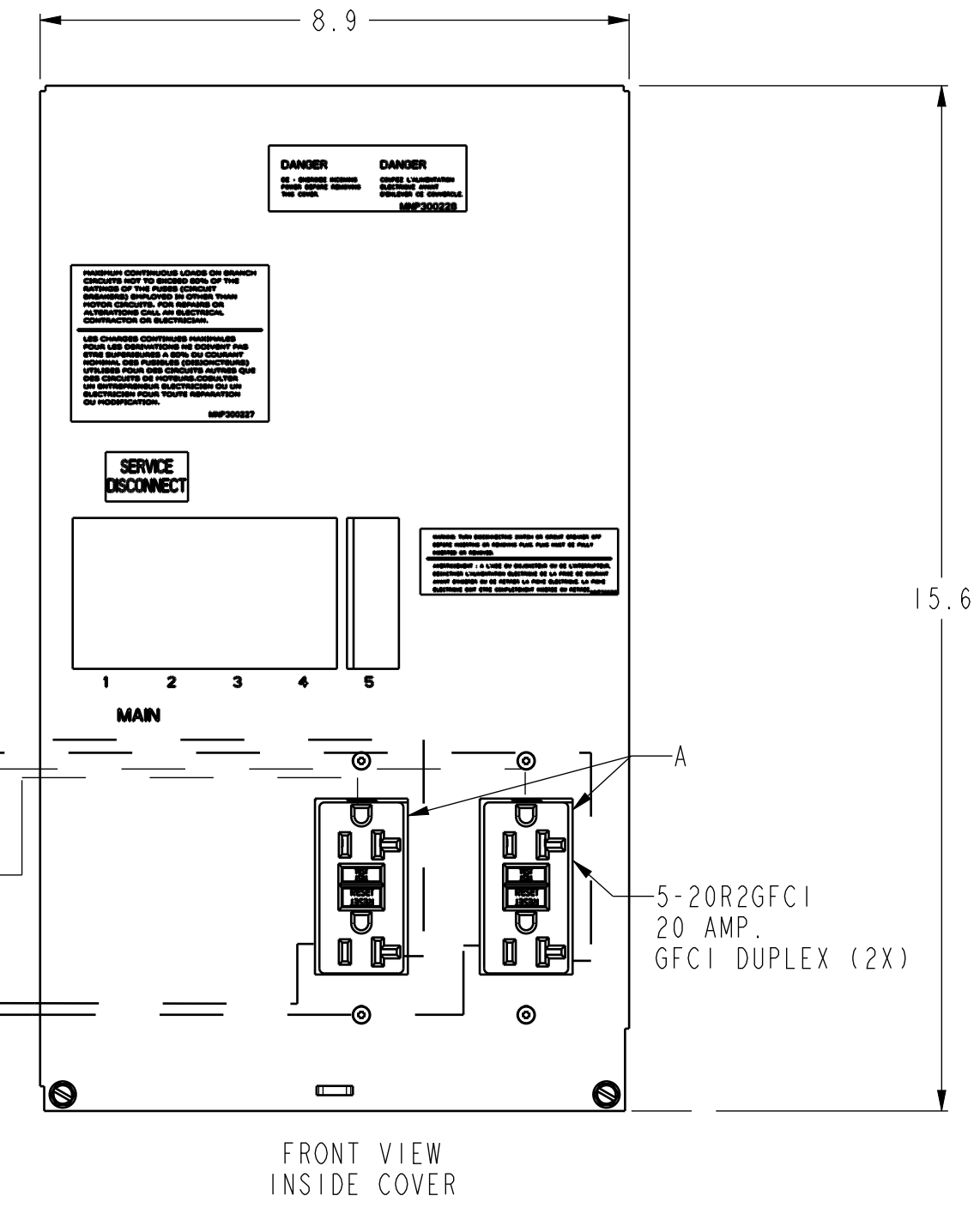
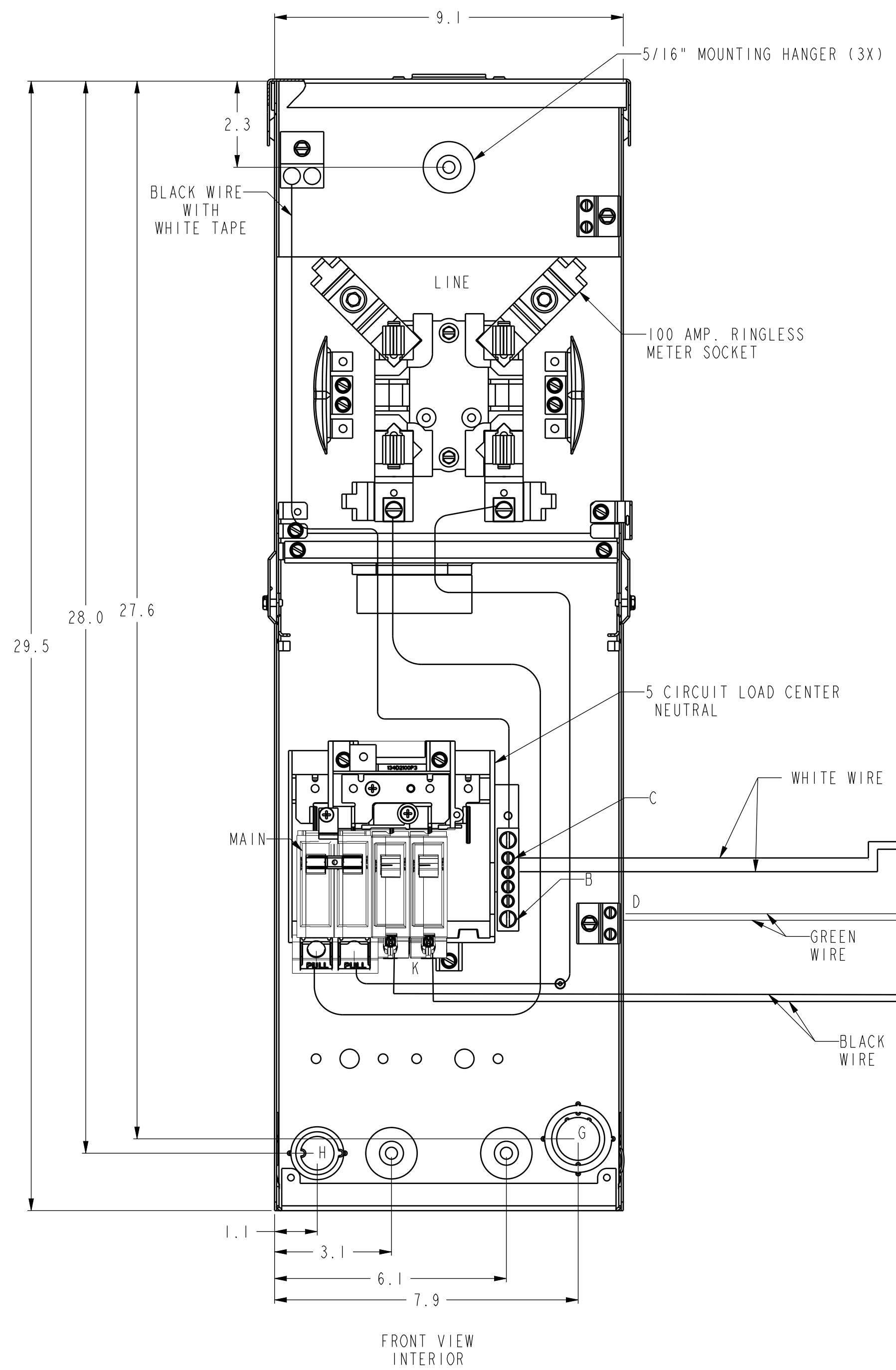
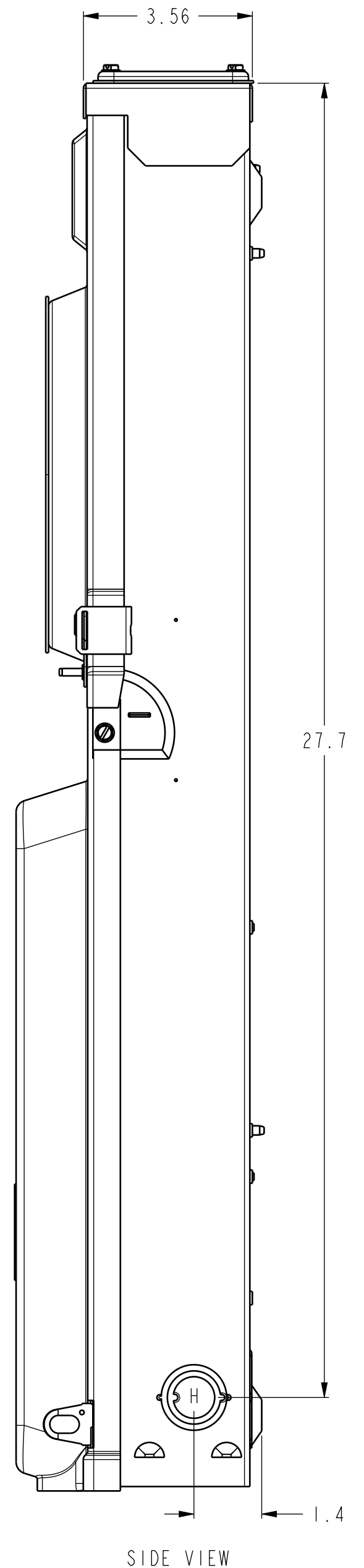
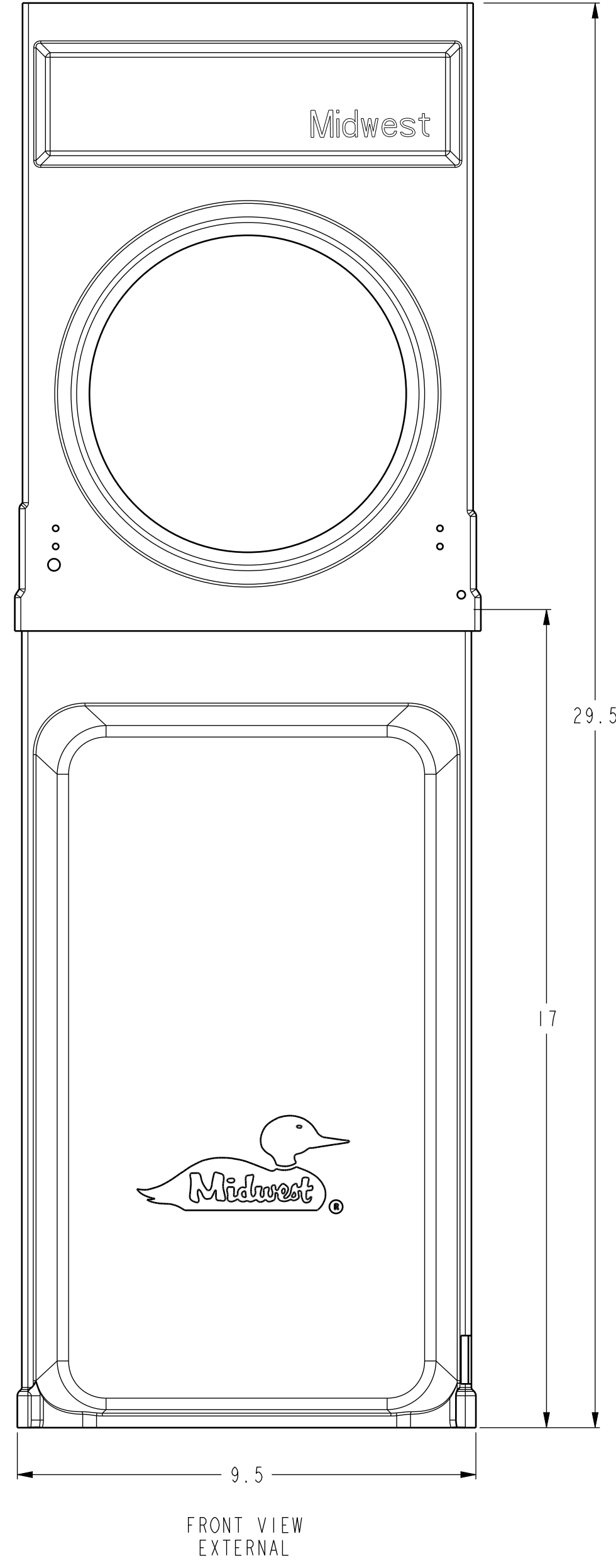
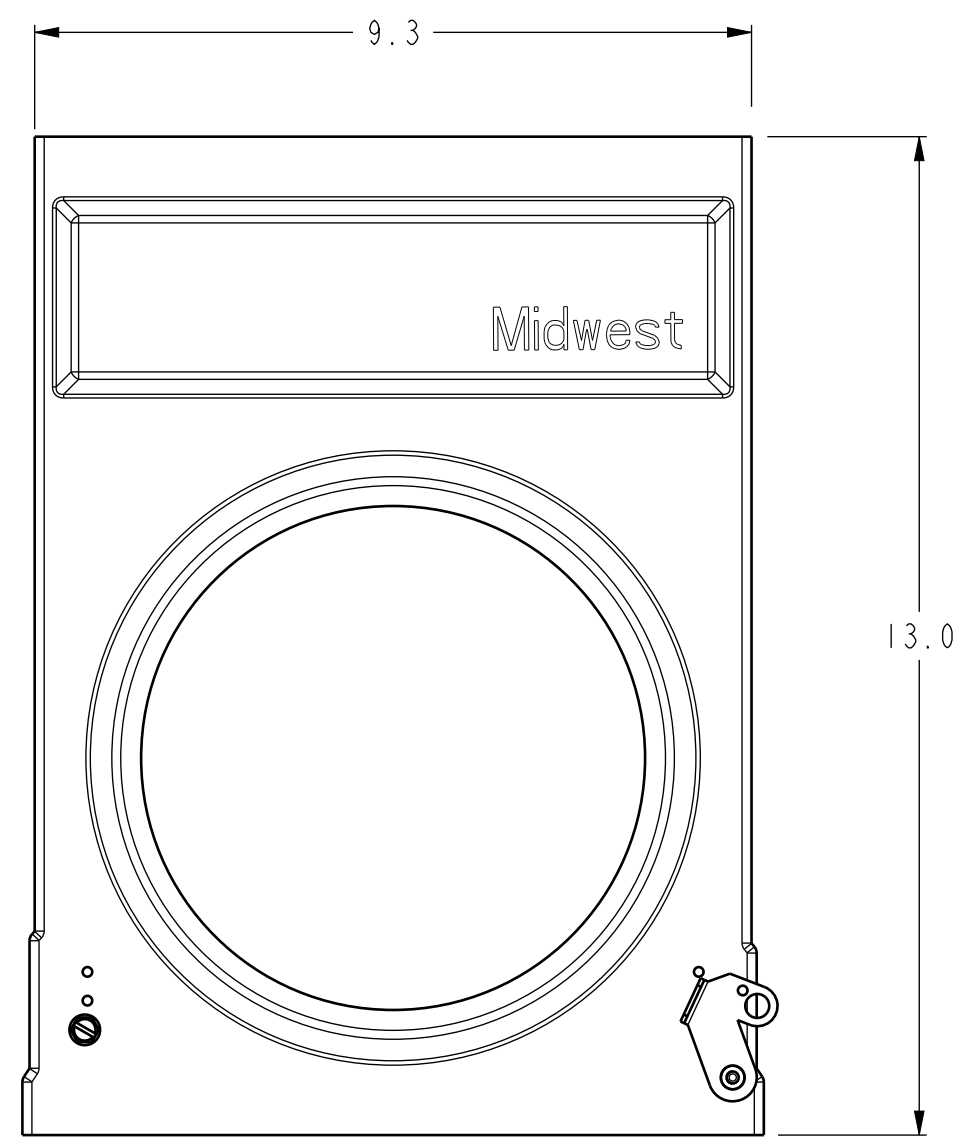


ABB PROPRIETARY AND CONFIDENTIAL INFORMATION  
 The information contained in this document has to be kept strictly confidential. Any unauthorized use, reproduction, distribution or disclosure to third parties is strictly prohibited. ABB reserves all rights regarding intellectual Property Rights. Copyright 2018 ABB. All rights reserved.

SIZE DRAWING NO. D R111MBC010		REVISIONS		DATE	APPROVED
REV. A	ECN000256782	TEJA	11-23-22	WILL L	
REV. B	ECN000276669	Siva.Y	04/7/2023	WILL L	

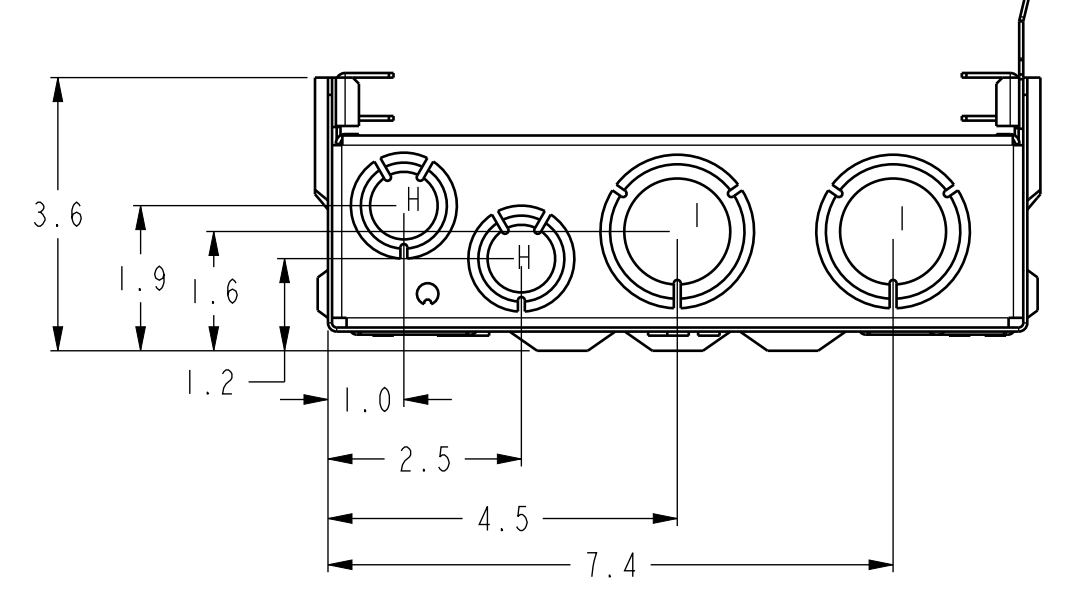


REFER TO MIDWEST CATALOG FOR HUBS OPTIONS.



**KNOCKOUT TABLE:**

G= 3/4", 1", 1-1/4" CONCENTRIC KNOCKOUT
H= 1/2", 3/4", 1" CONCENTRIC KNOCKOUT
I= 1", 1 1/4", 1 1/2" CONCENTRIC KNOCKOUT



**WIRE RANGE TABLE:**

CONNECTOR	COPPER		ALUMINIUM	
	SOLID	STRANDED	SOLID	STRANDED
LINE METER SOCKET	-	6-350	-	6-350
LOAD "A"	14-10	14-10	-	-
NEUTRAL - "B" END HOLE	12-8	12-1/0	10-8	10-1/0
NEUTRAL - "C" SIDE HOLE	14-8	14-4	12-10	12-4
EQUIP. GRND - "D"	12-8	12-2	12-8	12-2
NEUTRAL - "H"	-	14-1/0	-	14-1/0

	CIRCUIT PROTECTION	NAME	QUANTITY
MAIN (1 & 2)	THQL21100	2P 120/240V 100AMP	1
K (3 AND 4)	THQL1120	1 POLE 120/240V 20AMP	2

FOR ADDITIONAL INFO REFER TO:  
 APPLIED PRACTICES  
 DIMENSIONS ARE IN INCHES  
**UNLESS OTHERWISE SPECIFIED IN DRAWING**  
 TOLERANCE ON:  
 1 PL DECIMALS ± 0.1  
 2 PL DECIMALS ± 0.02  
 3 PL DECIMALS ± 0.005  
 ANGLES ± 1.0  
 FRACTIONS ± FINISH  
 CRITICAL TO QUALITY CHARACTERISTIC

SIGNATURES	DATE
MODEL TEJA CHINTALA	11-23-22
DETAIL TEJA CHINTALA	11-23-22
CHECKED WILL L	11-23-22
ENGRG	
MFG	
QUALITY	
ISSUED	

DRAWING FILE: R111MBC010M1.OD  
 SOLID MODEL: R111MBC010M1

**Midwest Electric Products**

TITLE: R111MBC010M1.OD OUTLINE DRAWING MIDWEST POWER 100A METERED RINGLESS (2) 20A GFCI 120/240V 1PH OUTLET METERED

TEMPORARY SERVICE EQUIPMENT

SIZE DRAWING: D R111MBC010

SCALE: 3:50

REV B

SHEET 1 OF 1

Part must conform to SI 900000 Sect. 4, Toxicity Procedure

