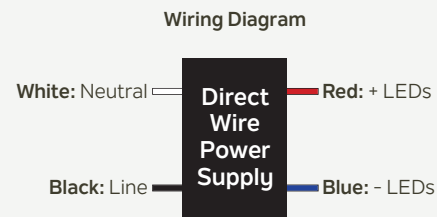
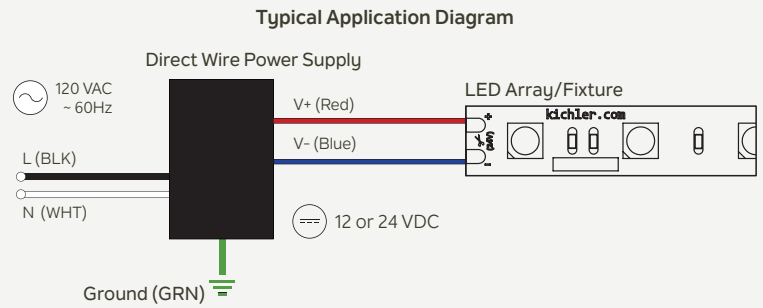


Direct Wire Dimmable Power Supply

12V & 24V 40W and 24V 10W Constant Voltage LED Drivers 4TD12V40BKT, 6TD24V40BKT, 6TD24V10BKT



40W & 10W Power Supply with wiring compartments. No additional NEMA enclosure required.



FEATURES & BENEFITS

- Economical choice for smaller or remote low-voltage systems projects like illuminating a kitchen island, china cabinet, or shelving.
- CL and ELV dimmer compatible
 - Visit Kichler.com/dimming for complete list
- Includes Wiring Compartments — no additional NEMA enclosure required.

APPLICATIONS

- Tape light
- Hard Strip lights (24V)
- Accent Disc lights

Nominal Input Voltage	Max Output Power	Output Voltage	Output load Min
120 Vac	40W 10W	12, 24V CV 24V CV	30%

CV: Constant Voltage

Output Current Max	Efficiency	Max Ambient Temperature	THD
3.3 A (12V, 40W) 0.42 A (24V, 10W) 1.7 A (24V, 40W)	> 85% typical	50° C (10W) 45° C (40W)	<30%

Power Factor	Dimming Range	Startup Time
>0.9	10-100% of light output	< 500 ms (40W) <1000 (10W)

5
YEAR
WARRANTY



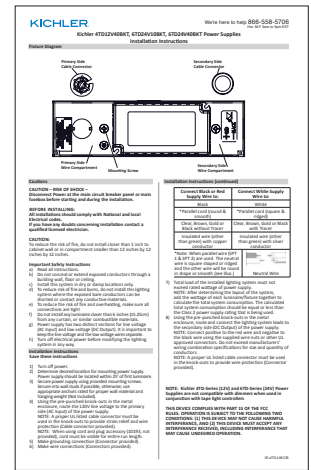
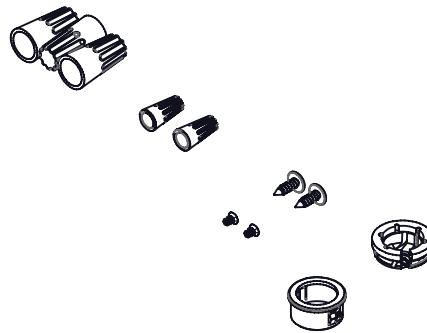
Direct Wire Dimmable Power Supply

1 - ORDERING INFORMATION

Part Number	Nominal AC Line Voltage (VAC)	Pout Max (W)	Pout Min (W)*	Vout Max (V)	Iout Max (V)	Vout Regulation
4TD12V40BKT	120	40	12	12	3.3	11.64 - 12.36 (+/- 0.9V)
6TD24V10BKT	120	10	3	24	0.42	23.26 - 24.74 (+/- 1.8V)
6TD24V40BKT	120	40	12	24	1.7	23.26 - 24.74 (+/- 0.74V)

*Load must exceed Pout Min for proper operation. Pout Min is a typical value and may vary from unit to unit.

CONTENTS OF BOX



Direct Wire Dimmable Power Supply with Wiring Compartments — No additional NEMA enclosure required.

5 wire nuts, 2 mounting screws, 2 lid screws, 2 strain reliefs

Instruction Sheet

2 - INPUT SPECIFICATION (at 25°C AMBIENT TEMPERATURE)

	Units	Minimum	Typical	Maximum	Notes
Input Voltage Range (Vin)	Vac	108	120	132	-
Input Frequency Range	Hz	47	60	63	When not used with a dimmer. (60 Hz +/- 3 when used with a dimmer)
Power Factor (PF)	-	0.9	>0.9	-	At nominal input voltage and full rated load
Inrush Current	Meets NEMA-410 requirements				At any nominal input full sine wave voltage and full rated load
Input Harmonics	Complies with IEC61000-3-2 for Class C				-
Total Harmonic Distortion (THD)	-	-	-	20%	• At nominal input voltage and full rated load • Complies with DLC (Design Light Consortium) technical requirements
Efficiency	%	-	85% (40W) 82% (10W)	-	At nominal input voltage and full rated load
Isolation	Meets UL60950-1 for class II reinforced/double insulation power supply				
Standby Power	W	-	-	0.7 (40W) 0.6 (10W)	With no load

Direct Wire Dimmable Power Supply

3 - OUPUT SPECIFICATION (at 25°C AMBIENT TEMPERATURE)

	Units	Minimum	Typical	Maximum	Notes
Output Voltage (Vout)	Vdc	-	12, 24	-	-
Output Current (Iout)	A	0	-	3.3 A 0.42 A 1.7 A	<ul style="list-style-type: none"> • for 4TD12V40BKT, 40W/12V • for 6TD24V10BKT, 10W/24V • for 6TD24V40BKT, 40W/24V
Output Voltage Regulation	%	-	+/- 3.0	-	Includes AC line voltage, load, and voltage set point variations
Output Voltage Overshoot	%	-	-	20	The driver does not operate outside of the regulation requirements for more than 200 ms during power on
Output Current Ripple	≤ 15% output current ripple for each model				• Measured at nominal input voltage
Dimming Range	%	10	-	100	As a % of light output
Start-up Time	ms	-	-	500 (40W) 1000 (10W)	-

4 - ENVIRONMENTAL CONDITIONS

	Units	Minimum	Typical	Maximum	Notes
Operating Ambient Temperature (Ta)	°C	-10	-	+45 +50	@45°C Ambient – 12V @50°C Ambient – 24V
Storage Temperature	°C	-20	-	+60	-
Humidity	%	10	-	95	Non-condensing
Cooling	Convection cooled				-
Lifetime	hours	40,000	-	-	-

Direct Wire Dimmable Power Supply

5 - EMC COMPLIANCE AND SAFETY APPROVALS

EMC Compliance			
Conducted and Radiated EMI		FCC CFR Title 47 Part 15 Class B at 120 Vac	
Harmonic Current Emissions		IEC61000-3-2	-
Voltage Fluctuations & Flicker		IEC61000-3-3	-
Immunity Compliance	ESD (Electrostatic Discharge)	IEC61000-4-2	6kV contact discharge, 8kV air discharge, level 3
	RF Electromagnetic Field Susceptibility	IEC61000-4-3	3V/m, 80 - 1000 MHz, 80% modulated at a distance of 3 meters
	Electrical Fast Transient	IEC61000-4-4	+/- 2kV on AC power port for 1 minute, +/- 1kV on signal/control lines
	Surge	IEC61000-4-5	+/- 1kV line to line (differential mode) / +/- 2kV line to common mode ground (tested to secondary ground) on AC power port, +/- 0.5kV for output cables
	Conducted RF Disturbances	IEC61000-4-6	3V, 0.15-80MHz, 80% modulated
	Voltage Dips	IEC61000-4-11	>95% dip, 0.5 period; 30% dip, 25 periods; 95% reduction, 250 periods
Transient Protection	Ring Wave	-	ANSI/IEEE c62.41.1-2002 & c62.41.2-2002 category A, 2.5kV ring wave

Safety Agency Approvals	
ETL	Conforms to ANSI/UL 2108
cETL	Certified to CAN/CSA Std. C22 No. 9.0

Safety					
	Units	Minimum	Typical	Maximum	Notes
Hi Pot (High Potential) or Dielectric Voltage-Withstand	Vdc	2500	-	-	<ul style="list-style-type: none"> Insulation between the input (AC line and Neutral) and the output Tested at the RMS voltage equivalent of 1768 Vac

6 - PROTECTION FEATURES

• Under-Voltage (Brownout)

The Power Supply provides protection circuitry such that an application of an input voltage below the minimum stated in paragraph 1 (Input Specification) shall not cause damage to the driver.

• Short Circuit

The Power Supply is protected against short circuit such that a short from any output to return shall not result in a fire hazard or shock hazard. The driver shall hiccup as a result of a short circuit or over current fault. Removal of the fault will return the driver to within normal operation. The driver shall recover, with no damage, from a short across the output for an indefinite period of time.

• Internal Over Temperature Protection

The Power Supply incorporates circuitry that prevents internal damage due to an over temperature condition. An over temperature condition may be a result of an excessive ambient temperature or as a result of an internal failure. When the over temperature condition is removed, the driver shall automatically recover.

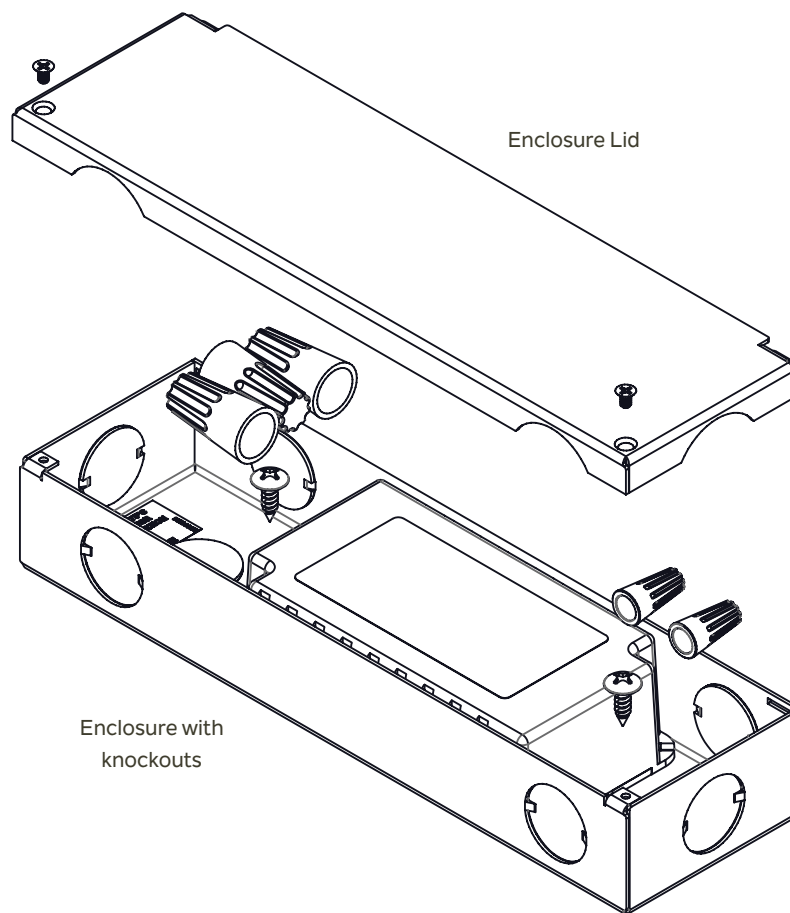
• Output Over-Voltage Protection

The output voltage of the Power Supply is limited to +5% of the rated output voltage of each model.

Direct Wire Dimmable Power Supply

7 - INSTALLATION

Figure 3



8 - DIMMING

For recommended dimmers, visit [Kichler.com/dimming](https://www.kichler.com/dimming).

Direct Wire Dimmable Power Supply

9 - VOLTAGE DROP CHARTS

For best performance and lumen output, ensure proper wire gauge is installed to compensate for voltage drop of low voltage circuits.

12V VOLTAGE DROP CHART

	5W 0.42A	10W 0.83A	20W 1.67A	30W 2.5A	40W 3.33A	50W 4.17A	60W 5A
18 AWG	65 ft.	32 ft.	16 ft.	10 ft.	8 ft.	6 ft.	5 ft.
16 AWG	100 ft.	50 ft.	25 ft.	16 ft.	12 ft.	10 ft.	8 ft.
14 AWG	160 ft.	79 ft.	39 ft.	26 ft.	20 ft.	16 ft.	13 ft.
12 AWG	240 ft.	120 ft.	59 ft.	39 ft.	30 ft.	24 ft.	20 ft.
10 AWG	392 ft.	196 ft.	98 ft.	65 ft.	49 ft.	39 ft.	32 ft.

- 1 Determine load size.**
 Round up to the nearest load.
- 2 Determine distance from Power Supply to load.**
 Let's assume the distance is 28ft.
 Round up to the nearest length.
- 3 See the recommended wire gauge** to install to eliminate excess voltage drop.

24V VOLTAGE DROP CHART

	5W 0.21A	10W 0.42A	20W 0.83A	30W 1.25A	40W 1.67A	50W 2.08A	60W 2.5A	70W 2.92A	80W 3.33A	90W 3.75A	100W 4.17A
18 AWG	261 ft.	130 ft.	65 ft.	43 ft.	32 ft.	26 ft.	21 ft.	18 ft.	16 ft.	14 ft.	13 ft.
16 AWG	401 ft.	200 ft.	100 ft.	66 ft.	50 ft.	40 ft.	33 ft.	28 ft.	25 ft.	22 ft.	20 ft.
14 AWG	639 ft.	319 ft.	160 ft.	106 ft.	79 ft.	63 ft.	53 ft.	45 ft.	39 ft.	35 ft.	31 ft.
12 AWG	959 ft.	479 ft.	240 ft.	160 ft.	120 ft.	95 ft.	79 ft.	68 ft.	59 ft.	53 ft.	47 ft.
10 AWG	1570 ft.	785 ft.	392 ft.	261 ft.	196 ft.	157 ft.	130 ft.	112 ft.	98 ft.	87 ft.	78 ft.

Direct Wire Dimmable Power Supply

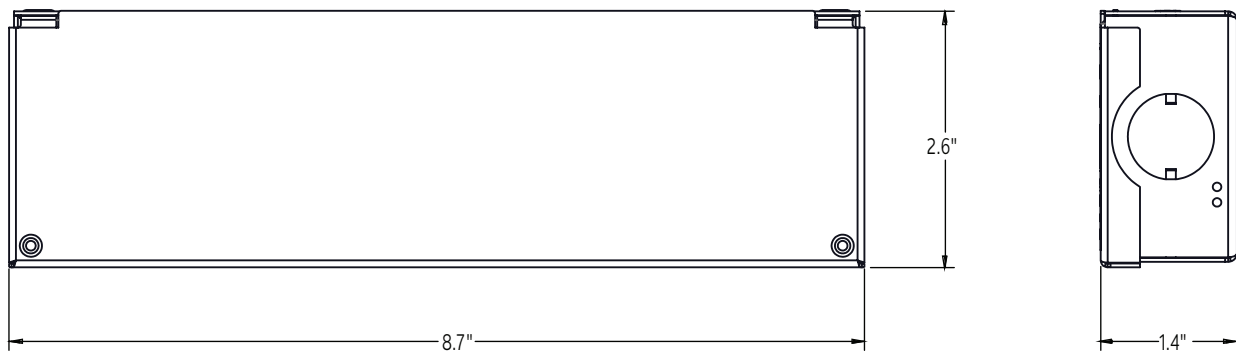
10 - MECHANICAL DETAILS

Packaging: Metal case for all variations.

I/O Connections: Flying leads, 18 AWG on both AC and DC connections, insulation rated minimum 90°C, 300V, stripped and tinned. There is a ground wire attached to the metal enclosure.

11 - OUTLINE DRAWINGS

Figure 7



12 - LABELING

The 6TD24V40BKT is used in Figure 8 as an example to illustrate a typical label.

Figure 8



Direct Wire Dimmable Power Supply

13 - SAFETY WARNINGS / DISCLOSURES

1. Install in accordance with national and local electrical code regulations.
2. This product is intended to be installed and serviced by a qualified, licensed electrician.
3. NEC code 725. 136: Class 1 and Class 2 circuits in same enclosure must be separated by a barrier unless Class 2 circuit conductors are installed in accordance with 725.41 Class 1 circuits. For example, Non Metallic (NM) cable is considered a Class 1 circuit conductor. Therefore, if both high voltage and low voltage circuits are installed with NM cable then the voltage barrier is not required for installation.
4. Only install compatible 12V or 24V Constant Voltage DC fixtures or warranty will be void.
5. Suitable for indoor / damp installation.
6. To compensate for voltage drop, ensure applicable gauge in-wall rated wire is installed between control and fixture.
7. Do not modify product beyond instructions or warranty will be void.

Kichler Lighting LLC
7711 E. Pleasant Valley Rd.
PO BOX 318010
Cleveland, Ohio 44131-8010

TECHNICAL SUPPORT - Contact Kichler Advanced Product Support: techsupport@kichler.com or 844-KICHLER (844-542-4537) M-F, 8:00 a.m. – 6:30 p.m. ET FREE

LAYOUT DESIGN - Available for Kichler partners - Visit Kichler.com/APS for details. © 2018 Kichler Lighting LLC. All Rights Reserved.

KICHLER LIGHTING (KICHLER) reserves the right to make changes without further notice to any products herein. KICHLER makes no warranty, representation or guarantee regarding the suitability of its products for any particular purpose, nor does KICHLER assume any liability arising out of the application or use of any product or circuit, and specifically disclaims any and all liability, including without limitation special, consequential or incidental damages. "Typical" parameters which may be provided in KICHLER data sheets and/or specifications can and do vary in different applications and actual performance may vary over time. All operating parameters, including "Typicals" must be validated for each customer application by customer's technical experts. KICHLER does not convey any license under its patent rights or the patent rights of others. KICHLER products are not designed, intended, or authorized for use as components in systems intended for surgical implant into the body, or other applications intended to support or sustain life, or for any other application in which the failure of the KICHLER product could create a situation where personal injury or death may occur. Should Buyer purchase or use KICHLER products for any such unintended or unauthorized application, Buyer shall indemnify and hold KICHLER and its officers, employees, subsidiaries, affiliates, and distributors harmless against claims, costs, damages, and expenses, and reasonable attorney fees arising out of, directly or indirectly, any claim of personal injury or death associated with such unintended or unauthorized use, even if such claim alleges that KICHLER was negligent regarding the design or manufacture of the part. KICHLER is an Equal Opportunity/Affirmative Action Employer. This literature is subject to all applicable copyright laws and is not for resale in any manner.

© 2018 Kichler Lighting LLC. All Rights Reserved.