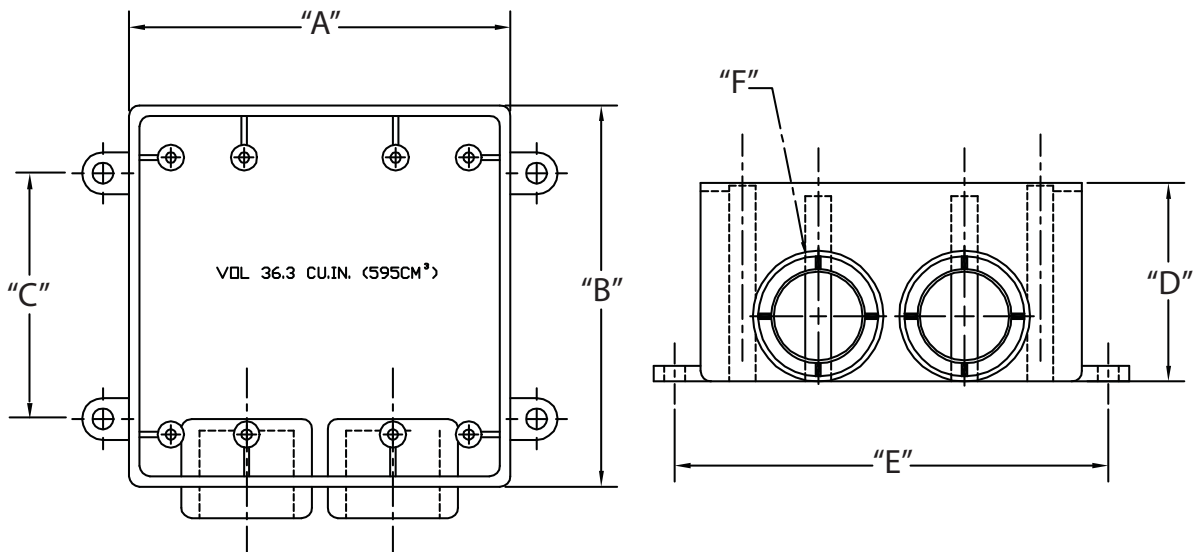


Type FSS Two Gang Box



Two gang surface mounted electrical box that has two conduit entrance hubs in one wall of the box only. Uses two gang device cover.



| Part Number | Trade Size | Carton Quantity | "A" | "B" | "C" | "D" | "E" | "F" |
|-------------|------------|-----------------|-------|-------|-------|-------|-------|-------|
| 5133390 | 1/2 | 5 | 4.563 | 4.563 | 3.250 | 2.375 | 5.250 | .875 |
| 5133391 | 3/4 | 5 | 4.563 | 4.563 | 3.250 | 2.375 | 5.250 | 1.063 |
| 5133392 | 1 | 5 | 4.563 | 4.563 | 3.250 | 2.375 | 5.250 | 1.313 |

Dimensions are nominal