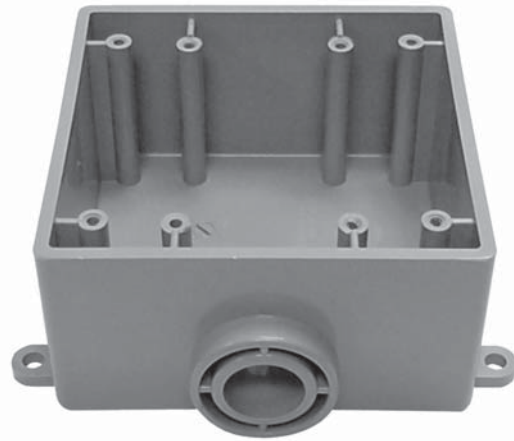
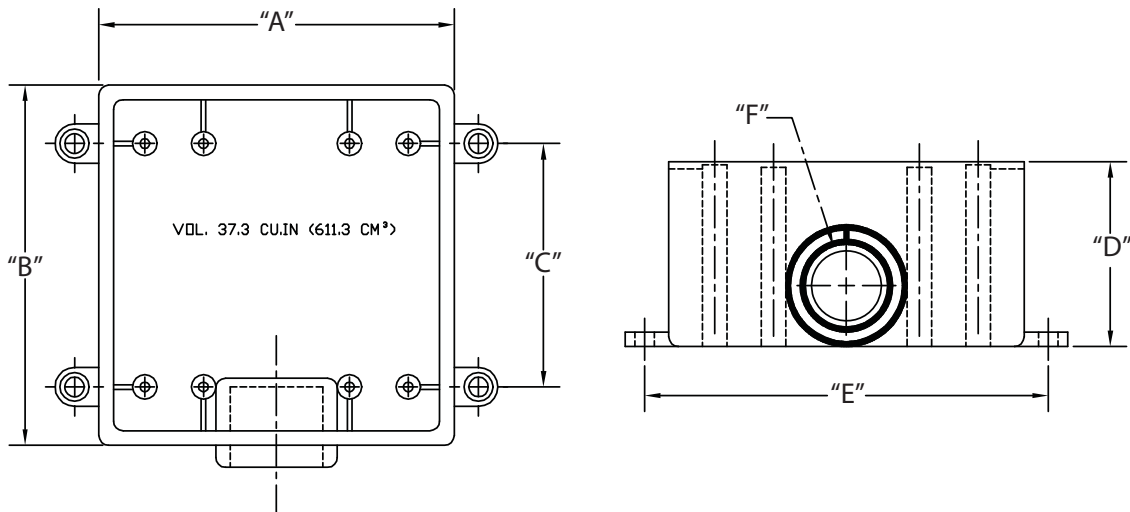


Type FSE Two Gang Box



Used for conduit termination box, wire splices and two single gang electrical devices. Uses two gang device covers.

Two gang, surface mounted electrical box which has only one conduit entrance hub with no outlet hub.



Part Number	Trade Size	Carton Quantity	"A"	"B"	"C"	"D"	"E"	"F"
5133380	1/2	5	4.563	4.563	3.250	2.375	5.250	.875
5133381	3/4	5	4.563	4.563	3.250	2.375	5.250	1.063
5133382	1	5	4.563	4.563	3.250	2.375	5.250	1.313

Dimensions are nominal