

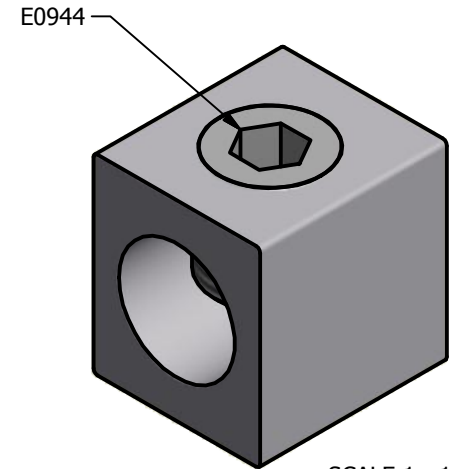
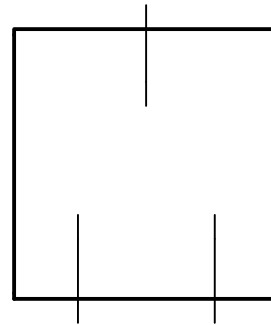
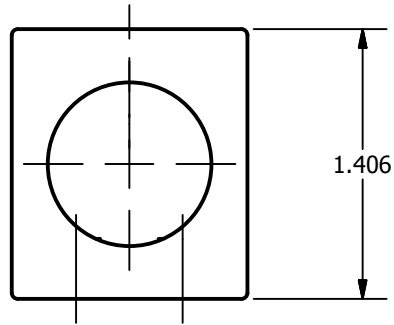
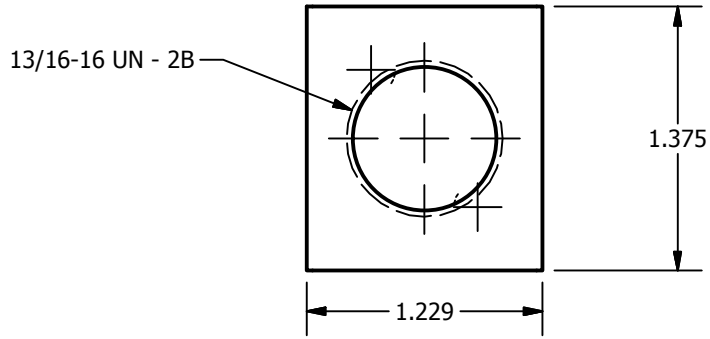


SCREW: E0944	MATERIAL: ALUMINUM	REV: R	 800-776-9775 www.ilsco.com
CAT. NO.: CA-7	PLATING: EL-TIN	DRAWN BY: CLH SCALE:1:1	
INFORMATION SHEET: FORM 1	MARKING: ILSCO, D1807, CA-7, 500kcmil-0, AL-7CU, 	DATE:6/10/2008 SIZE: A	
		DWG. NO. D1807-22	
		SHEET: 1 OF 1	



SCALE 1 : 1

