

CBT LSCS 120-347V

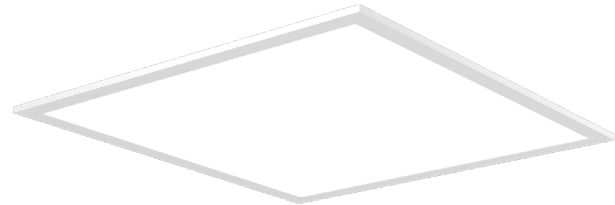
BACK-LIT TROFFER

DATE:	LOCATION:
TYPE:	PROJECT:
CATALOG #:	

tradeSELECT®

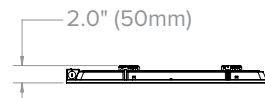
FEATURES

- Switchable Lumen technology: 4400/3300/2750 lumens (1x4, 2x2)
5500/4400/3300 lumens (2x4)
- Switchable CCT technology: 3500/4000/5000K
- 0-10V 1% Dim to Off driver (standard) provides superior dimming capabilities
- IC rated
- Back-lit design and frosted lens provides smooth, even illumination across the face of the luminaire
- All CBT LSCS Generation B fixtures are priced as single fixtures and must be ordered as single fixtures. Standard packaging is a master carton containing four individually boxed fixtures



SERVICE PROGRAMS

STOCK



Typical Dimensions and Weights			
	CBT14 (1x4)	CBT22 (2x2)	CBT24 (2x4)
Length	11.9" / 303 mm	23.7" / 603 mm	23.7" / 603 mm
Width	47.8" / 1213 mm	23.7" / 603 mm	47.8" / 1213 mm
Height	2.0" / 50 mm	2.0" / 50 mm	2.0" / 50 mm
Weight*	4.99lbs / 2.26kg	4.92lbs / 2.23kg	9.37lbs / 4.25kg

SPECIFICATIONS

CONSTRUCTION

- Aluminum lens frame has a matte white finish
- Luminaire housing is die formed code-gauge steel
- Low profile design is ideal for shallow plenum applications

OPTICS

- Acrylic micro-optics over each LED provide edge to edge illumination without pixelation or bright spots
- Frosted acrylic textured lens provides smooth surface brightness

INSTALLATION

- Integral T-bar clips for secure mounting to 9/16" and 15/16" grid ceiling
- For surface mount applications use surface mount kit accessories
- For plaster or sheet rock installations, use flange kit accessories
- For cable mount applications use surface mount kit accessory and cable kit accessory

ELECTRICAL

- 60,000 hour LEDs at L90 for reduced maintenance
- Operates at 120–347V. 1V minimum low-end trim recommended when paired with a 0-10V dimmer
- 0–10V 1% Dim to Off driver is standard. See additional info on page 6
- Switchable luminaire default settings at highest lumen output and 3500K

PACKAGING

- All CBT LSCS Generation B fixtures are priced as single fixtures and must be ordered as single fixtures. Standard packaging is a master carton containing four individually boxed fixtures. It should be noted in receiving documents that one master carton includes four individually boxed fixtures and should be received as four fixtures
- Ordering example; If a customer orders 21 fixtures they will receive (5) master cartons containing four fixtures and (1) individually boxed fixture.

CERTIFICATIONS

- All luminaires are built to UL 1598 standards and bear appropriate cULus labels
- Damp location label standard
- Adheres to LM79, LM80, and TM21 industry standards for photometrics and lifetime calculations
- DLC® (DesignLights Consortium Qualified.) Please refer to the DLC website for specific product qualifications at www.designlights.org
- UL Sanitation Certified to NSF 2 Food Equipment standard for non-food zones
- Tested in accordance with ISO 14644-1; suitable for ISO Class 4 positive and negative pressure clean rooms

WARRANTY

- 5 year warranty

KEY DATA	
Lumen Range	2856 - 5997
Wattage Range	23W - 45W
Efficacy Range (LPW)	113 - 143
Reported Life (Hours)	L90/60,000

CBT LSCS 120-347V

BACK-LIT TROFFER

DATE:	LOCATION:
TYPE:	PROJECT:
CATALOG #:	

ORDERING GUIDE

Example: CBT24-B-LSCS-EDD

CATALOG #

Model	Size	Generation	Selectable	Driver						
CBT Back-lit Troffer	<table border="1"> <tr><td>14</td><td>1x4</td></tr> <tr><td>22</td><td>2x2</td></tr> <tr><td>24</td><td>2x4</td></tr> </table>	14	1x4	22	2x2	24	2x4	B Generation B	LSCS Lumen Selectable, CCT Selectable	EDD 0-10V Dim to Off ¹
14	1x4									
22	2x2									
24	2x4									

Notes:
1 EDD - Dim to Off Standard. See additional detail on page 6

STOCKED OPTIONS

Catalog No.	SKU UPC	Master Carton UPC	Description	Setting	Lumens			Watts	LPW			Weight	Carton QTY	DLC
					3500K	4000K	5000K		3500K	4000K	5000K			
<input type="checkbox"/>	CBT14-B-LSCS-EDD	840141430312	1x4 Back-Lit Troffer; 4400 /3300/2750 Switchable Lumens; 3500 /4000/5000K Switchable CCT 80 CRI; 0-10V 1% Dim to Off; 120-347V	LOW	2856	3012	2957	23	124	131	129	4.99 lbs. (2.19kg)	4	S-CNZD50
				MED	3323	3521	3438	27	123	130	127			
				HIGH	4423	4761	4577	39	113	122	117			
<input type="checkbox"/>	CBT22-B-LSCS-EDD	840141430324	2x2 Back-Lit Troffer; 4400 /3300/2750 Switchable Lumens; 3500 /4000/5000K Switchable CCT 80 CRI; 0-10V 1% Dim to Off; 120-347V	LOW	2955	3091	3040	23	128	134	132	4.92lbs (2.23kg)	4	S-DMXVQI
				MED	3437	3616	3542	27	127	134	131			
				HIGH	4593	4897	4714	38	121	129	124			
<input type="checkbox"/>	CBT24-B-LSCS-EDD	840141430331	2x4 Back-Lit Troffer; 5500 /4400/3300 Switchable Lumens; 3500 /4000/5000K Switchable CCT 80 CRI; 0-10V 1% Dim to Off; 120-347V	LOW	3457	3564	3545	25	138	143	142	9.37 lb (4.25 kg)	4	S-EJO95G S-VGWHF3
				MED	4610	4791	4722	35	132	137	135			
				HIGH	5727	5997	5858	45	127	133	130			

Bold indicates default settings

MADE TO ORDER OPTIONS

Factory Installed Flexible Conduit & Battery Options

Catalog Number	UPC	Description	Carton Qty
<input type="checkbox"/> CBT14-A-LSCS-EDD-ELL14 *	840141430058	1x4 Back-lit LED Troffer, 4400/3300/2750lm, 3500/4000/5000K, Dim to Off, Factory Installed 10W EM Battery (CEC Title 20 Compliant)	1
<input type="checkbox"/> CBT22-A-LSCS-EDD-ELL14 *	840141430065	2x2 Back-lit LED Troffer, 4400/3300/2750lm, 3500/4000/5000K, Dim to Off, Factory Installed 10W EM Battery (CEC Title 20 Compliant)	1
<input type="checkbox"/> CBT24-A-LSCS-EDD-ELL14 *	840141430072	2x4 Back-lit LED Troffer, 5500/4400/3300lm, 3500/4000/5000K, Dim to Off, Factory Installed 10W EM Battery (CEC Title 20 Compliant)	1
<input type="checkbox"/> CBT14-A-LSCS-EDD-C588	603134946468	1x4 Back-lit LED Troffer, 4400/3300/2750lm, 3500/4000/5000K, Dim to Off, Factory Installed 5 Wire Flexible Conduit	1
<input type="checkbox"/> CBT22-A-LSCS-EDD-C588	603134946482	2x2 Back-lit LED Troffer, 4400/3300/2750lm, 3500/4000/5000K, Dim to Off, Factory Installed 5 Wire Flexible Conduit	1
<input type="checkbox"/> CBT24-A-LSCS-EDD-C588	603134946505	2x4 Back-lit LED Troffer, 5500/4400/3300lm, 3500/4000/5000K, Dim to Off, Factory Installed 5 Wire Flexible Conduit	1
<input type="checkbox"/> CBT14-A-LSCS-EDD-ELL14-C688 *	603134946475	1x4 Back-lit LED Troffer, 4400/3300/2750lm, 3500/4000/5000K, Dim to Off, Factory Installed 10W EM Battery & 6 Wire Flexible Conduit	1
<input type="checkbox"/> CBT22-A-LSCS-EDD-ELL14-C688 *	603134946499	2x2 Back-lit LED Troffer, 4400/3300/2750lm, 3500/4000/5000K, Dim to Off, Factory Installed 10W EM Battery & 6 Wire Flexible Conduit	1
<input type="checkbox"/> CBT24-A-LSCS-EDD-ELL14-C688 *	603134946512	2x4 Back-lit LED Troffer, 5500/4400/3300lm, 3500/4000/5000K, Dim to Off, Factory Installed 10W EM Battery & 6 Wire Flexible Conduit	1

* ELL14 options are only available for use with 120-277V.
 * ELL14 option uses a 10 watt Emergency Battery. To determine lumen output in emergency mode, multiply 10w by the fixture lumens per watt (LPW). EX: 10w x 123LPW = 1230 Lumens in Emergency Mode
 * CBT Gen A fixtures with factory installed ELL14 option require a remote mounted test switch. The Dual Lite PLRTS is included with each CBT that has a factory installed ELL14 option, standard.

CBT LSCS 120-347V

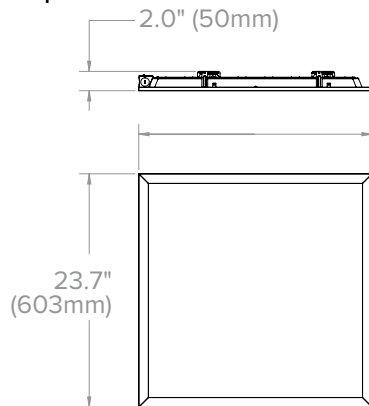
BACK-LIT TROFFER

Accessories (Order Separately)	Part #	UPC	Notes & Restrictions
Flange Kits			
<input type="checkbox"/> FK14	FK14	078531000745	1x4 Single Flange Kit
<input type="checkbox"/> FK22	FK22	078531000752	2x2 Single Flange Kit
<input type="checkbox"/> FK24	FK24	078531038991	2x4 Single Flange Kit
Surface Mount Kits			
<input type="checkbox"/> PSMK14	93302543	662055127905	1x4 Shallow Surface Mount Kit, 63mm
<input type="checkbox"/> PSMK22	93302544	662055127912	2x2 Shallow Surface Mount Kit, 63mm
<input type="checkbox"/> PSMK24	93302545	662055127929	2x4 Shallow Surface Mount Kit, 63mm
<input type="checkbox"/> DSMK14	93313908	840141433134	1x4 Deep Surface Mount Kit, 110mm, for use with ELL14 and EMBB options
<input type="checkbox"/> DSMK22	93313898	840141433219	2x2 Deep Surface Mount Kit, 110mm, for use with ELL14 and EMBB options
<input type="checkbox"/> DSMK24	93313899	840141433226	2x4 Deep Surface Mount Kit, 110mm, for use with ELL14 and EMBB options
Emergency Battery - CBP EMBB Kits use a 10 watt Emergency Battery. To Determine lumen output in emergency mode, multiply 10w by the fixture lumens per watt (LPW). Ex: 10w x 123 LPW = ~1230 lumens in emergency mode. A remote mounted test switch is required when installing an EMBB Kit (listed below) on the CBT, we recommend the Dual Lite PLRTS (order separately).			
<input type="checkbox"/> CBP14A EMBB Kit	93308995	662055313940	1x4 CBP EMBB (CEC Title 20 Compliant) Field Installable Kit
<input type="checkbox"/> CBP2224A EMBB Kit	93308998	662055313971	2x2 & 2x4 CBP EMBB (CEC Title 20 Compliant) Field Installable Kit
Switch Cover			
<input type="checkbox"/> PSC Switch Cover 50PK	93167456	840141413426	CBP Selectable Driver Switch Cover
Cable Mount			
<input type="checkbox"/> CFPCM36YSC5F-KIT	93093113	078531133023	36" Cable Mount Kit for 1' or 2' wide Cable Mount fixtures, 5-wire

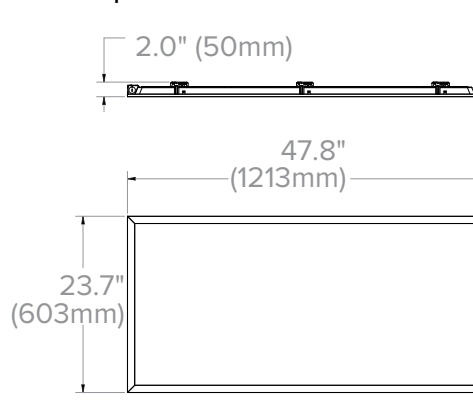
Cable Mount Kit not available with 347V
Surface Mount Kit (PSMK__ or DSMK__) required for Cable Mounting

DIMENSIONS

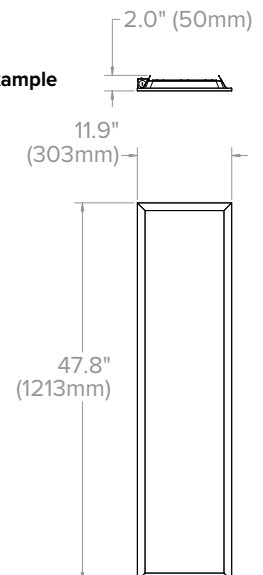
2x2 example



2x4 example

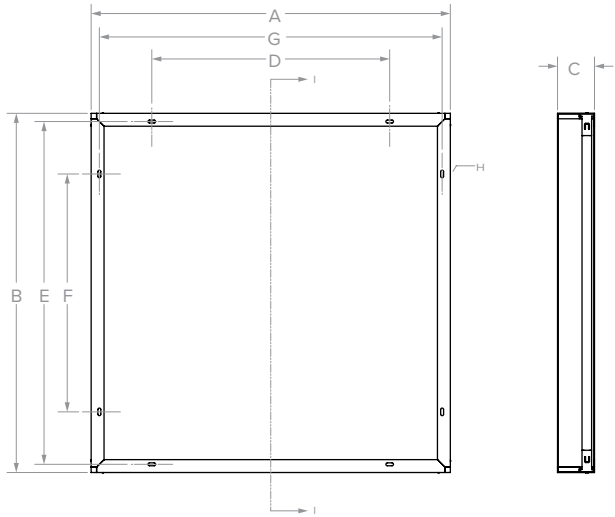


1x4 example

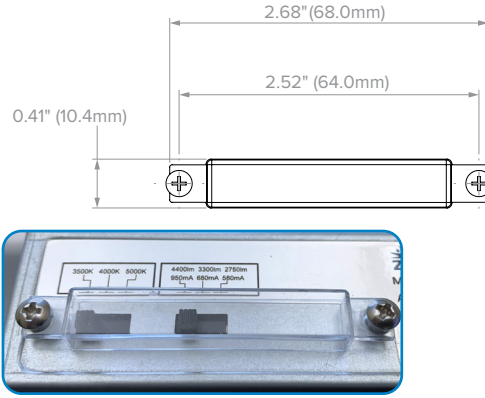


ACCESSORY DIMENSIONS

Surface Mount PSMK Dimensions - 2x2
example see below chart for all size dimensions



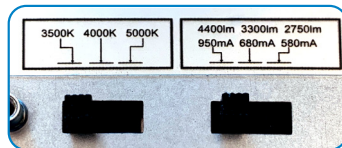
PSC Switch Cover



Product Code	Description	A (in)	B (in)	C (in)	D (in)	E (in)	F (in) Between Holes	G (in)
93302543	PSMK14 1x4 SMK - 63mm	12.32	48.09	2.48	-	46.91	16.0 (3 holes)	11.14
93302544	PSMK22 2x2 SMK - 63mm	24.25	24.25	2.48	16.0	23.06	16.0	23.06
93302545	PSMK24 2x4 SMK - 63mm	24.25	48.09	2.48	16.0	46.91	16.0 (3 holes)	23.06
93313908	DSMK14 1x4 SMK - 110mm	12.35	48.07	4.34	-	46.91	16.0 (3 holes)	11.14
93313898	DSMK22 2x2 SMK - 110mm	24.27	24.27	4.34	16.0	23.06	16.0	23.06
93313899	DSMK24 2x4 SMK - 110mm	24.27	48.07	4.34	16.0	46.91	16.0 (3 holes)	23.06

ADDITIONAL INFO

LSCS Switches Default Settings
Maximum Lumen Output and 3500K CCT



0-10V DIMMER COMPATIBILITY

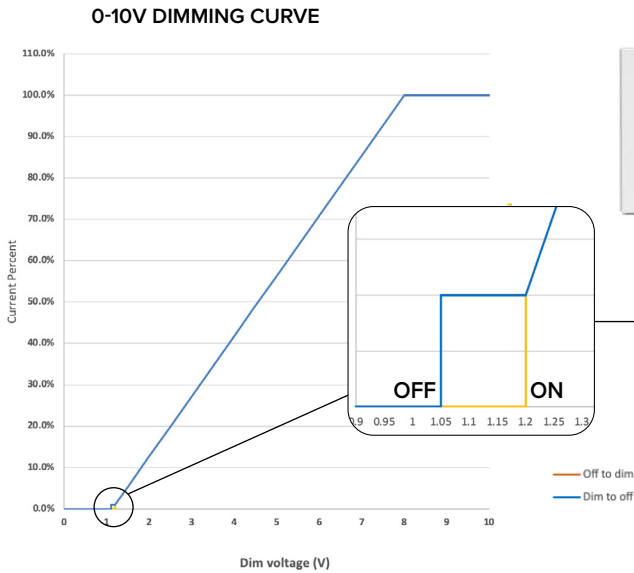
Fixture operates at 120-277V. 0-10V dimmable driver, down to 1%.
1V minimum low-end trim recommended when paired with a 0-10V dimmer.

List of suitable dimmers based on laboratory testing. Compatibility must be verified by customer before install. Columbia cannot guarantee dimmer compatibility

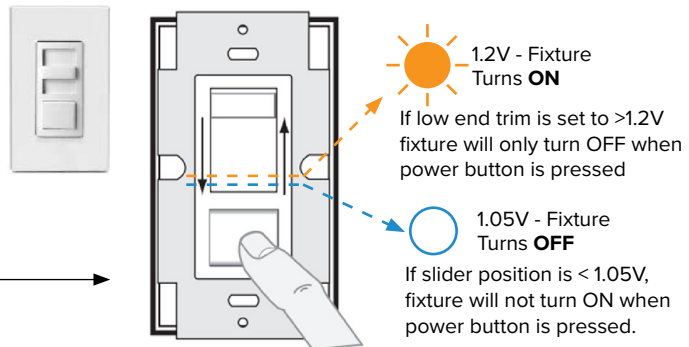
- NX Lighting Controls
- LUTRON DVTV*
- Synergy® ISD BC120/277
- RSD0108-UNV-XX
- LUTRON NTSTV-DV
- Enerlites® 51300L*
- Lutron® Diva DVST*

*Dimmers require adjusting knobs to change Low End Trim Voltage below 1.05V

ADDITIONAL DIMMING INFORMATION: DIMMING CURVE



WALLBOX DIMMER EXAMPLE



DIM TO DARK FUNCTION

Dimmer Low End Trim Settings	ON/OFF Operation		Dimmer Control Range
> 1.2V	ON/OFF Toggle power control only		Full output to Low End Trim Setting
1.05V to 1.2V	<p>ON Adjust dimmer control above 1.2V + Set power control to ON</p>	<p>OFF Set power control to OFF</p>	Full output to Low End Trim Setting
< 1.05V	<p>ON Adjust dimmer control above 1.2V + Set power control to ON</p>	<p>OFF Set power control to OFF or Adjust dimmer below 1.05V level</p>	Full output to OFF