


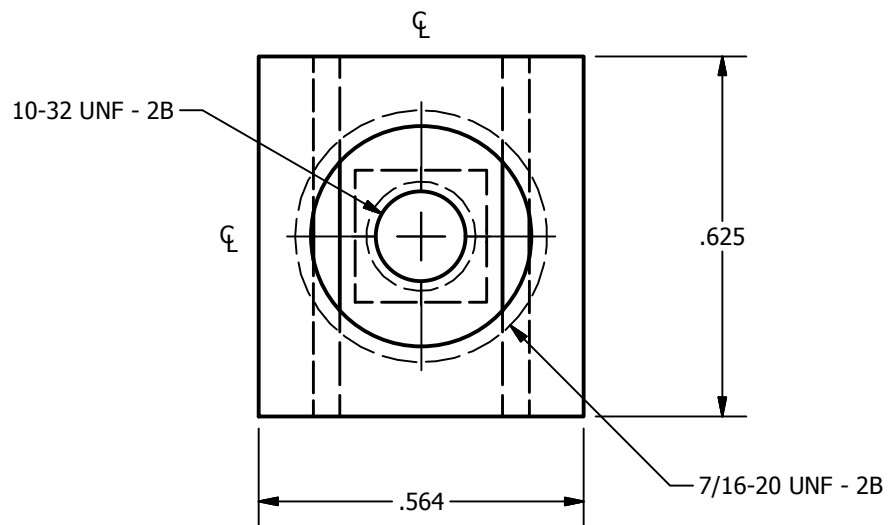
SCREW: SEE CHART
 CAT. NO.: CA5SP
 INFORMATION SHEET: SEE CHART

MATERIAL: ALUMINUM
 PLATING: EL-TIN
 MARKING: ILSCO, CA5-SP, 1/0-14, AL7CU, D1021, 

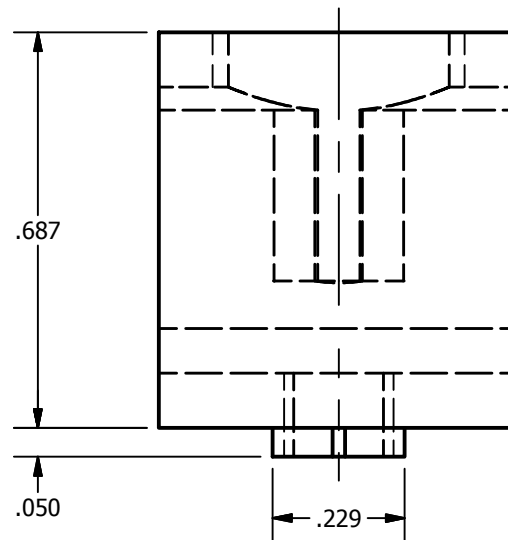
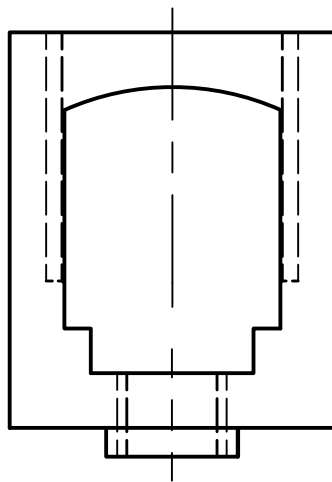
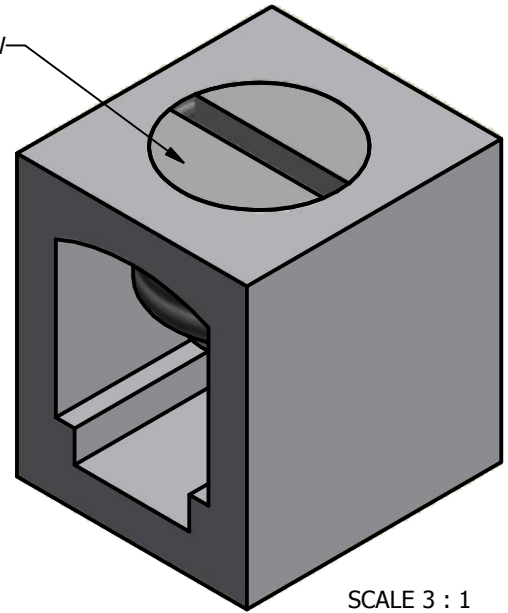
REV: G
 DRAWN BY: CLH
 DATE: 5/22/2008

ILSCO
connections matter
 800-776-9775 www.ilsco.com

DWG. NO. **D1021**
 SHEET: 1 OF 1



SEE CHART FOR SCREW



SCREW	STUFFER SHEET
E0929	FORM 1
E1337	FORM 106