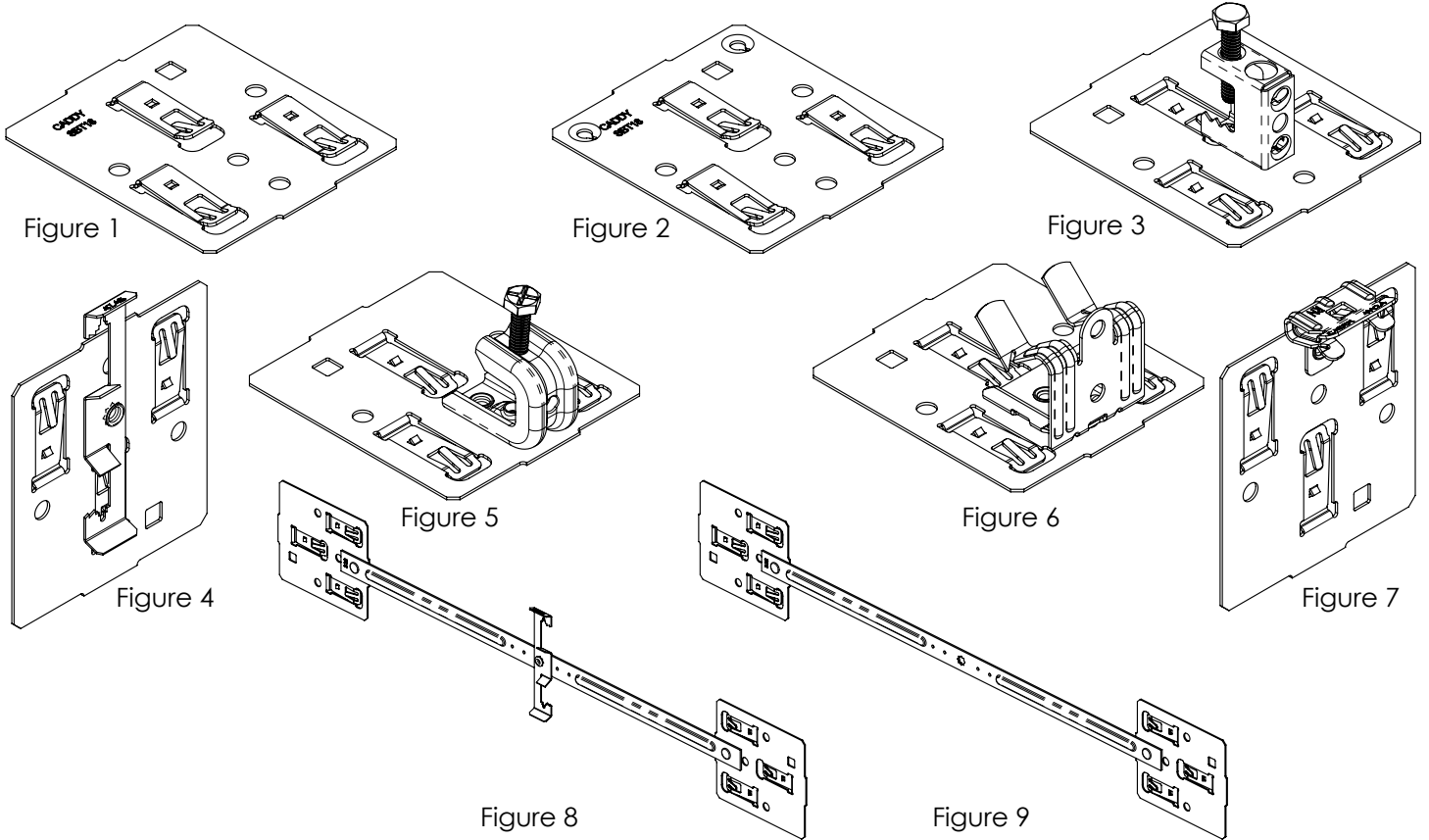
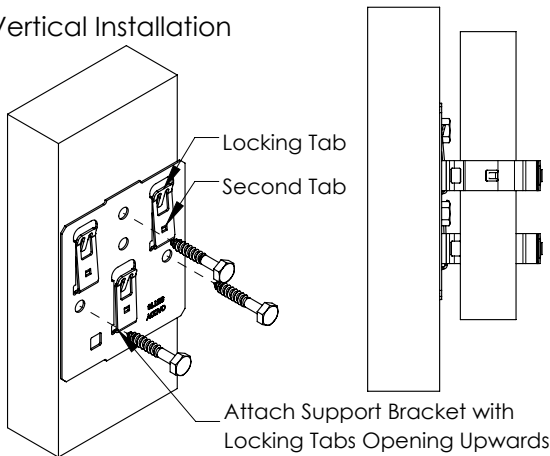


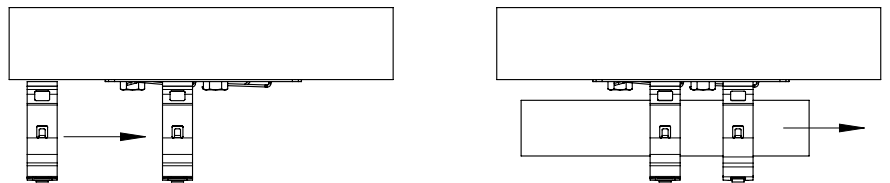
# Multiple Conduit Support Bracket



## Vertical Installation



## Horizontal Installation



1. Secure Support Bracket to Substrate
  2. Install Conduit Clip onto Support Bracket. A Maximum of Three Conduit Clips per Bracket
  3. Install Conduit into the the Conduit Clip
- Note: For Locking Tab Installations, the Conduit Clip shall be engaged to the Second Tab

**WARNING:**

1. nVent products shall be installed and used only as indicated in nVent product instruction sheets and training materials. Instruction sheets are available at [www.nVent.com](http://www.nVent.com) and from your nVent customer service representative.
2. nVent products must never be used for a purpose other than the purpose for which they were designed or in a manner that exceeds specified load ratings.
3. All instructions must be **completely** followed to ensure proper and safe installation and performance.
4. Improper installation, misuse, misapplication or other failure to completely follow nVent's instructions and warnings may cause product malfunction, property damage, serious bodily injury and/or death, and void your warranty.
5. Products that are manufactured using spring steel components shall be used only in a non-corrosive indoor environment.
6. All pipe supports, hangers, intermediate components and structural attachments must **ONLY** be used as described herein and are **NEVER** to be used for any other purpose.

NOTE: All load ratings are for static conditions and do not account for dynamic loading such as wind, water or seismic loads, unless otherwise noted.

The customer is responsible for:

- a. Conformance to all governing codes.
- b. The integrity of structures to which the products are attached, including their capability of safely accepting the loads imposed, as evaluated by a qualified engineer.
- c. Using appropriate industry standard hardware as noted above.

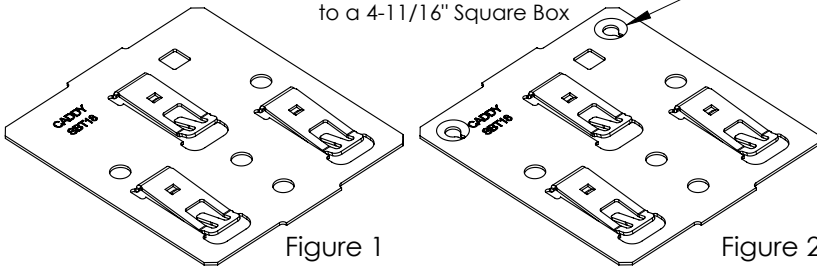
**SAFETY INSTRUCTIONS:**

All governing codes and regulations and those required by the job site must be observed. Always use appropriate safety equipment such as eye protection, hard hat, and gloves as appropriate to the application.

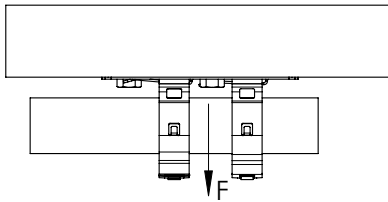
nVent, nVent CADDY, nVent ERICO Cadweld, nVent ERICO Critec, nVent ERICO, nVent ERIFLEX, and nVent LENTON are owned by nVent or its global affiliates. All other trademarks are the property of their respective owners. nVent reserves the right to change specifications without prior notice.

### Multiple Conduit Support Bracket

Thread Impression for attachment to a 4-11/16" Square Box

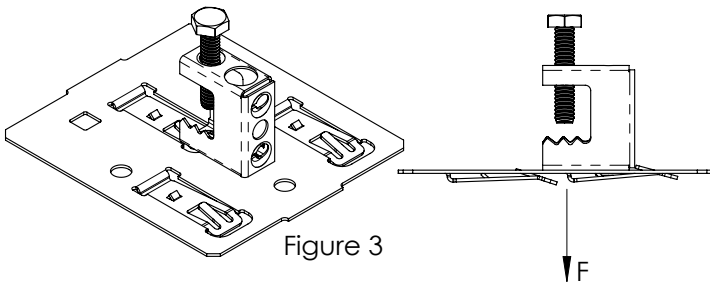


Global Part Number	Figure No.	Description	Static Load Rating (lb)
SBT18	1	Multiple Conduit Support Bracket	150
SBT18TI	2	Multiple Conduit Support Bracket with Two 1/4-20 Thread Impressions	



Indicated Loads are Static Load Limits of the Assembly  
 50 lb Static Load Rating per Locking Tab  
 Combined Loads of Locking Tab shall not exceed Assembly Static Load Rating  
 Maximum of Three Conduit Clips per Support Bracket

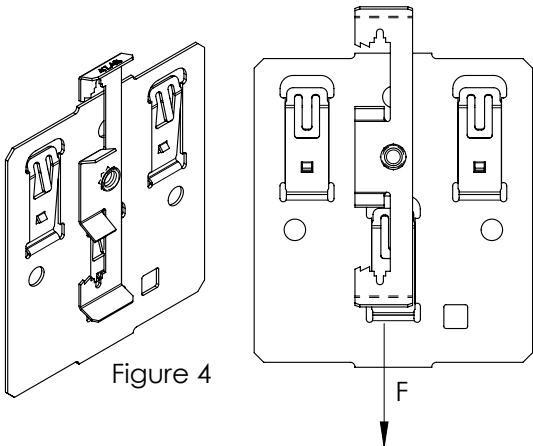
### BC Beam Clamp with Multiple Supprt Conduit Clip



Global Part Number	Figure No.	Description	Static Load Rating (lb)
SBT18BC	3	Multiple Support Bracket to 1/2" Max Flange	100

Indicated Loads are Static Load Limits of the Assembly  
 50 lb Static Load Rating per Locking Tab  
 Combined Loads of Locking Tab shall not exceed Assembly Static Load Rating  
 Maximum of Three Conduit Clips per Support Bracket

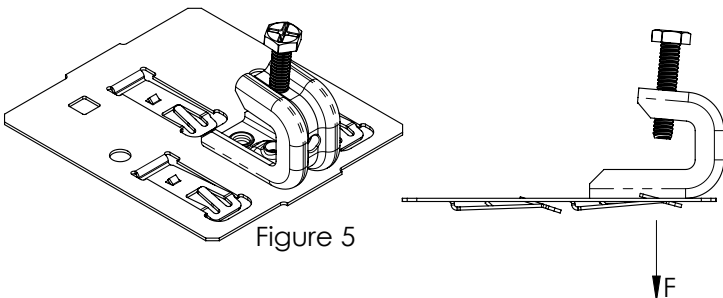
### Multi-Function Clip with Multiple Support Conduit Clip



Global Part Number	Figure No.	Description	Static Load Rating (lb)
SBT184Z34	4	Support Bracket to #12 Wire thru 1/4" Threaded or Smooth Rod	20
SBT186Z34		Support Bracket to 5/16" thru 3/8" Threaded or Smooth Rod	

Indicated Loads are Static Load Limits of the Assembly  
 Maximum of Three Conduit Clips per Support Bracket

### BC200 Beam Clamp with Multiple Support Conduit Clip



Global Part Number	Figure No.	Description	Static Load Rating (lb)
SBT18BC200	5	Multiple Support Bracket to 5/8" Max Flange	100

Indicated Loads are Static Load Limits of the Assembly  
 50 lb Static Load Rating per Locking Tab  
 Combined Loads of Locking Tab shall not exceed Assembly Static Load Rating  
 Maximum of Three Conduit Clips per Support Bracket

### Bottom Mount Hammer-On with Multiple Support Conduit Clip

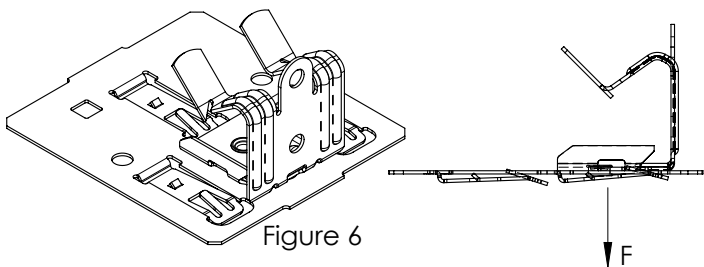


Figure 6

Global Part Number	Figure No.	Description	Static Load Rating (lb)
SBT1824	6	Multiple Support Bracket to 1/8" - 1/4" Flange	75
SBT1858		Multiple Support Bracket to 5/16" - 1/2" Flange	
SBT18912		Multiple Support Bracket to 9/16" - 3/4" Flange	

Indicated Loads are Static Load Limits of the Assembly  
 50 lb Static Load Rating per Locking Tab  
 Combined Loads of Locking Tab shall not exceed Assembly Static Load Rating  
 Maximum of Three Conduit Clips per Support Bracket

### Side Mount Hammer-On with Multiple Support Conduit Clip

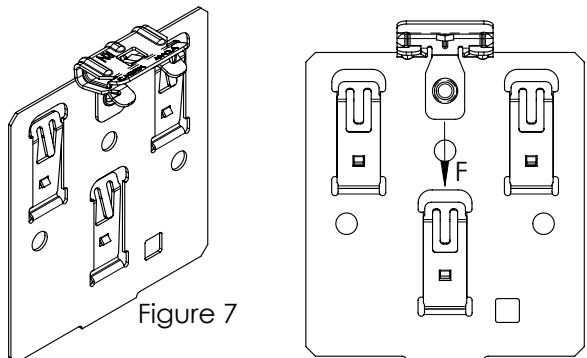


Figure 7

Global Part Number	Figure No.	Description	Static Load Rating (lb)
SBT1824SM	7	Multiple Support Bracket to 1/8" - 1/4" Flange	150
SBT1858SM		Multiple Support Bracket to 5/16" - 1/2" Flange	
SBT18912SM		Multiple Support Bracket to 9/16" - 3/4" Flange	

Indicated Loads are Static Load Limits of the Assembly  
 50 lb Static Load Rating per Locking Tab  
 Combined Loads of Locking Tab shall not exceed Assembly Static Load Rating  
 Maximum of Three Conduit Clips per Support Bracket

### Mult-Function Clip and Box Hanger with Multiple Support Conduit Clip

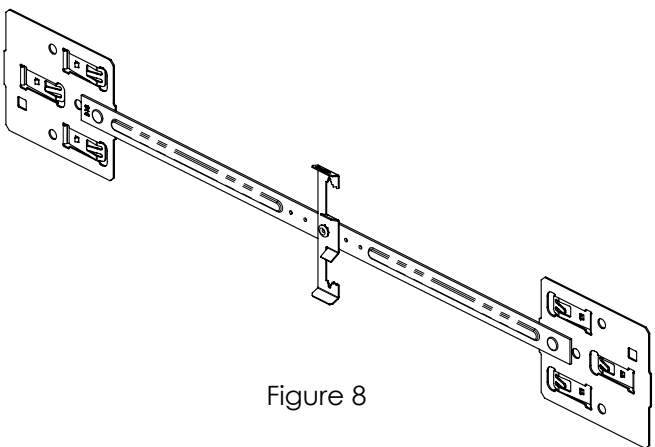


Figure 8

Global Part Number	Figure No.	Description
B18SBT184Z	8	Multiple Support Bracket to #12 Wire thru 1/4" Threaded or Smooth Rod and Box Hanger

Mounting Outlet Box to Hanger Requires Two Screws  
 May Require Dedicated Drop Wire or Rod - Please Consult Local Authority  
 Maximum of Three Conduit Clips per Support Bracket.  
 Intended for Conduit to be Install into an Outlet Box from Multiple Sides.  
 When Installing Conduit into One Side of an Outlet Box, the Opposite Side Conduit Clip may be Removed.

### Box Hanger with Multiple Support Conduit Clip

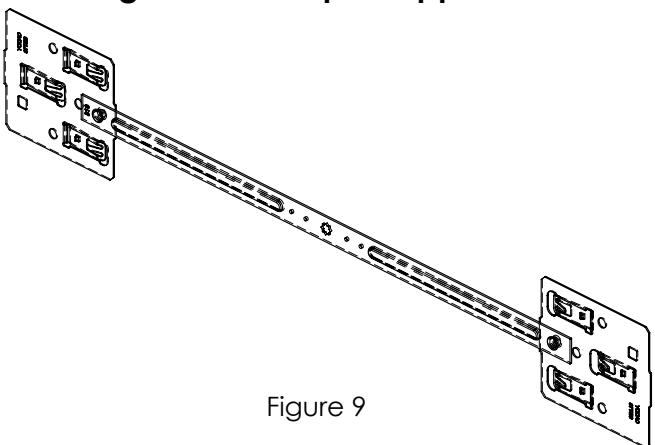


Figure 9

Global Part Number	Figure No.	Description
B18SBT18	9	Multiple Support Bracket to Box Hanger

When Mounting Outlet Box to Hanger, Two Screws are Required.  
 When Supporting the Hanger Assembly with Threaded Rod going through both the Hanger Assembly and Outlet Box, Additional Screws are Not Necessary.  
 May Require Dedicated Drop Wire or Rod - Please Consult Local Authority  
 Maximum of Three Conduit Clips per Support Bracket.  
 Intended for Conduit to be Install into an Outlet Box from Multiple Sides.  
 When Installing Conduit into One Side of an Outlet Box, the Opposite Side Conduit Clip may be Removed.