

# INSTRUCTIONS

## FIELD-ADJUSTABLE FFLED® INSTALLATION

# RAB®

RAB Lighting is committed to creating high-quality, affordable, well-designed and energy-efficient LED lighting and controls that make it easy for electricians to install and end users to save energy. We'd love to hear your comments. Please call the Marketing Department at 888-RAB-1000 or email: [marketing@rablighting.com](mailto:marketing@rablighting.com)



### IMPORTANT

#### **READ CAREFULLY BEFORE INSTALLING FIXTURE. RETAIN THESE INSTRUCTIONS FOR FUTURE REFERENCE.**

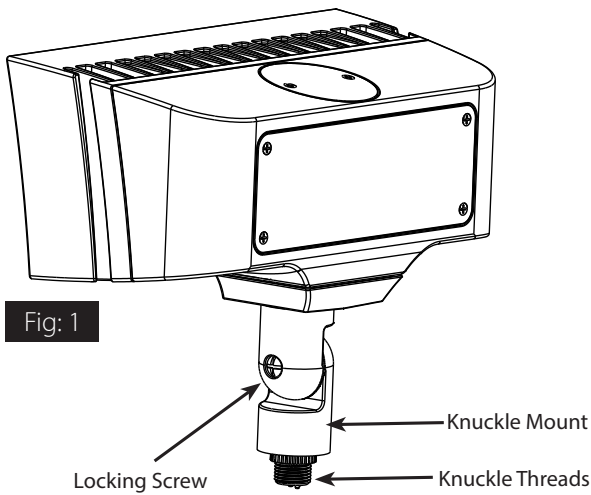
RAB fixtures must be wired in accordance with the National Electrical Code and all applicable local codes. Proper grounding is required for safety. THIS PRODUCT MUST BE INSTALLED IN ACCORDANCE WITH THE APPLICABLE INSTALLATION CODE BY A PERSON FAMILIAR WITH THE CONSTRUCTION AND OPERATION OF THE PRODUCT AND THE HAZARDS INVOLVED.

**WARNING: Make certain power is OFF before installing the fixture. No user serviceable parts inside.**

### KNUCKLE MOUNTING

*(Suitable for FFLEDS, FFLEDM Only)*

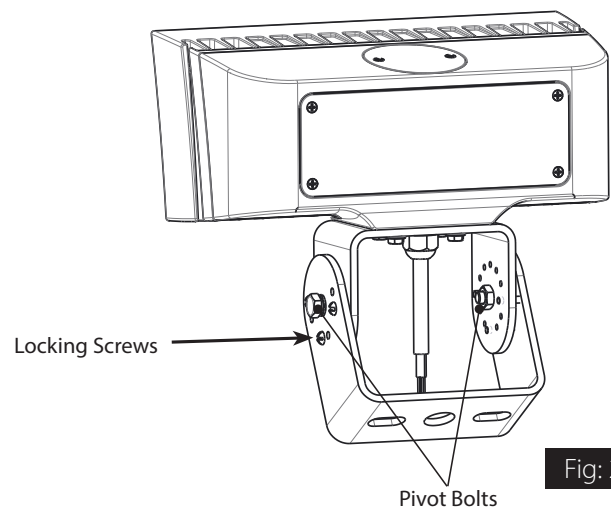
1. Seal **Knuckle Threads** using Teflon tape or silicone sealant *(not provided)*.
2. Secure the LED flood to a 1/2" NPS hole in a junction box or landscape post *(supplied by other)*.
3. Plug all unused holes and seal threads with silicone.
4. The swivel **Knuckle** on the LED flood allows 180° of vertical aiming adjustment depending on mounting location. Loosen **Locking Screw** and adjust **Fixture** to desired angle *(Fig. 1)*.



### TRUNNION MOUNTING

*(Suitable for FFLEDM, FFLEDL Only)*

1. Loosen the **Pivot Bolts** and angle **Locking Screws** *(Fig. 2)*.
2. Adjust fixture to desired angle.
3. Tighten **Pivot Bolts** and angle **Locking Screws**.



# INSTRUCTIONS

## FIELD-ADJUSTABLE FFLED® INSTALLATION



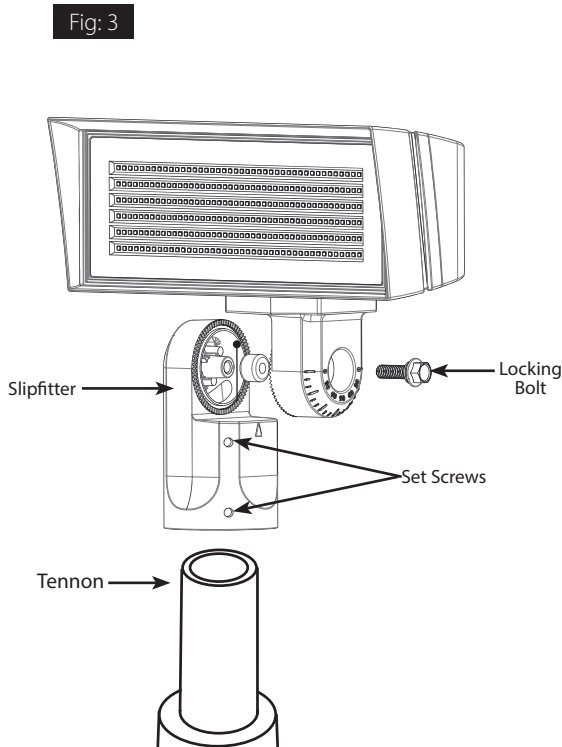
RAB Lighting is committed to creating high-quality, affordable, well-designed and energy-efficient LED lighting and controls that make it easy for electricians to install and end users to save energy. We'd love to hear your comments. Please call the Marketing Department at 888-RAB-1000 or email: marketing@rablighting.com

### SLIPFITTER MOUNTING

(Suitable for FFLEDM, FFLEDL Only)

**WARNING: RISK OF SERIOUS INJURY OR DEATH!**  
DO NOT MOUNT THE SLIPFITTER TO A TENON OR BRACKET THAT IS MORE THAN 20 DEGREES FROM VERTICAL. MOUNTING ANY ANGLE OTHER THAN 0-20 DEGREES INCREASES THE RISK OF DISENGAGEMENT AND/OR FAILURE OF THE SLIPFITTER. INSTALL THE POLE ON A SECURE BASE OR INSTALL THE BRACKET TO A WALL FIRST. THEN PLACE LUMINAIRE ONTO THE POLE OR BACKET. DO NOT LIFT ASSEMBLED LUMINAIRE OR POLE OR LUMINAIRE & BRACKET. LUMINAIRE OR POLE/BRACKET MAY DISENGAGE.

1. The Slipfitter mounting fits a 2 3/8" O.D. Tenon. Place the Slipfitter over the Tenon and secure the Fixture with the Set Screws on the side of the Slipfitter (Fig. 3).
2. Loosen the Locking Bolt and swivel fixture to desired angle.
3. Tighten the Locking Bolt.



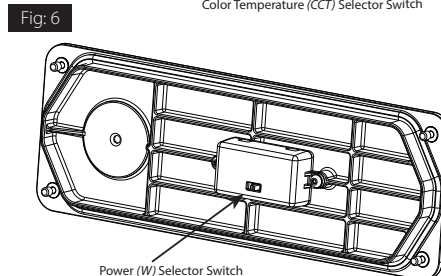
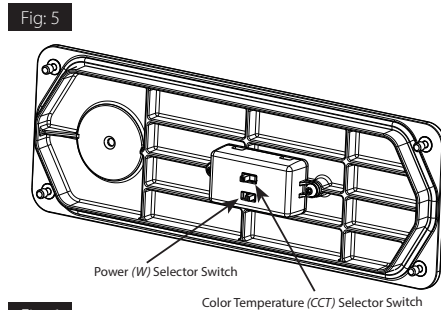
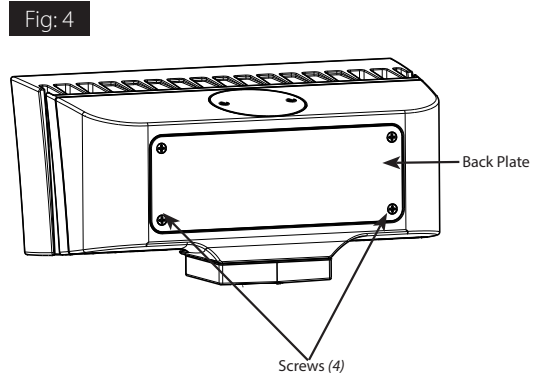
### FIELD ADJUSTMENT

Follow instructions below to change the **Fixture Color Temperature (CCT)** and/or **Power (W)** from factory settings see Fig. 5 and Fig. 6.

Factory Settings:

FFLEDS 39/26/18W	39W	5000K
FFLEDM 80/52W	80W	5000K
FFLEDL 230/180/120W	230W	5000K

1. Remove **Fixture Back Plate** by loosening **Screws (4)** as shown in Fig. 4.
2. Locate the **Selector Switches** on the **Fixture Back Plate** as shown in Fig. 5 and Fig. 6.
3. Select **Color Temperature (CCT)** and/or **Power (W)** by sliding the respective switch to the desired value.
4. Replace **Fixture Back Plate** and secure with **Screws (4)**.



# INSTRUCTIONS

## FIELD-ADJUSTABLE FFLED® INSTALLATION

# RAB®

RAB Lighting is committed to creating high-quality, affordable, well-designed and energy-efficient LED lighting and controls that make it easy for electricians to install and end users to save energy. We'd love to hear your comments. Please call the Marketing Department at 888-RAB-1000 or email: [marketing@rablighting.com](mailto:marketing@rablighting.com)

### 0-10V DIMMABLE WIRING

Universal voltage driver permits operation at 120V thru 277V, 50 or 60 Hz. Units ordered with (/480V) suffix are 480V. For 0-10V follow the wiring dimming as shown in Fig. 6.

1. Connect the black fixture lead to the **LINE** supply lead.
2. Connect the white fixture lead to the **COMMON** supply lead.
3. Connect the **GROUND** wire from fixture to supply ground.  
Do NOT connect the **GROUND** of the dimming fixture to the output.
4. Connect the purple fixture lead to the DIM V+ lead.
5. Connect the pink fixture lead to the DIM V- lead.
6. Cap the yellow fixture lead, if present. Do NOT connect.

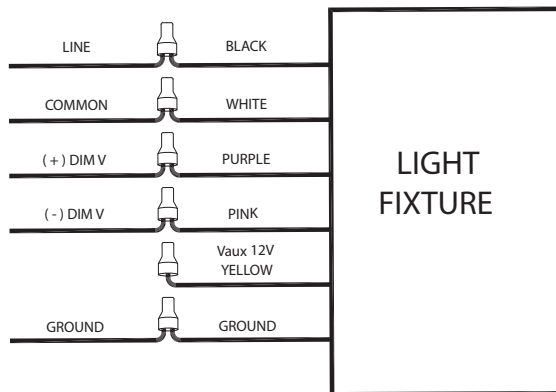


Fig: 6

### CLEANING & MAINTENANCE

**CAUTION: Be sure fixture temperature is cool enough to touch. Do not clean or maintain while fixture is energized.**

1. Clean glass lens with non-abrasive glass cleaning solution.
2. Do not open the fixture to clean the LED. Do not touch the LED.

### TROUBLESHOOTING

1. Check that the line voltage at the fixture is correct. Refer to wiring directions.
2. Is the fixture grounded properly?
3. Is the photocell, if used, functioning properly?

*Note: These instructions do not cover all details or variations in equipment nor do they provide for every possible situation during installation, operation or maintenance.*

# RAB®

© 2022 RAB LIGHTING Inc.

### Easy Answers

[rablighting.com](http://rablighting.com)  
Visit our website for product info

**Tech Help Line**  
Call our experts: 888 722-1000

**e-mail**  
Answered promptly - [sales@rablighting.com](mailto:sales@rablighting.com)

**Free Lighting Layouts**  
Answered online or by request

FFLED FA-IN 1221  
P-100091-RAB

**RAB WARRANTY:** RAB's warranty is subject to all terms and conditions found at [rablighting.com/warranty](http://rablighting.com/warranty).