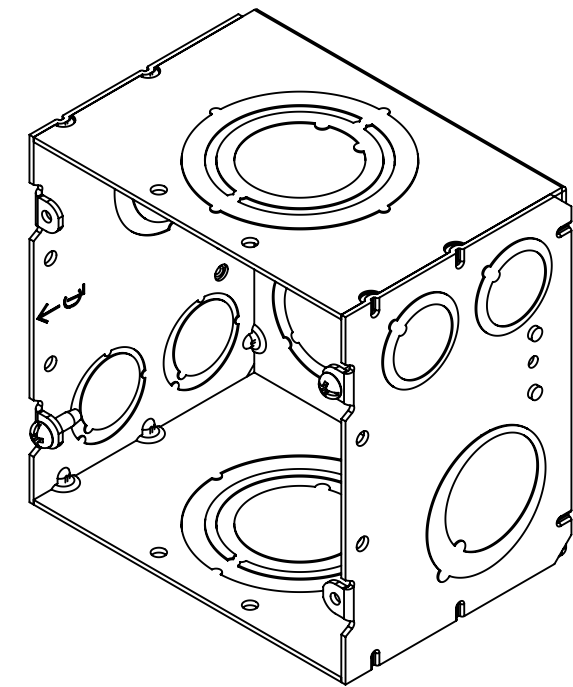
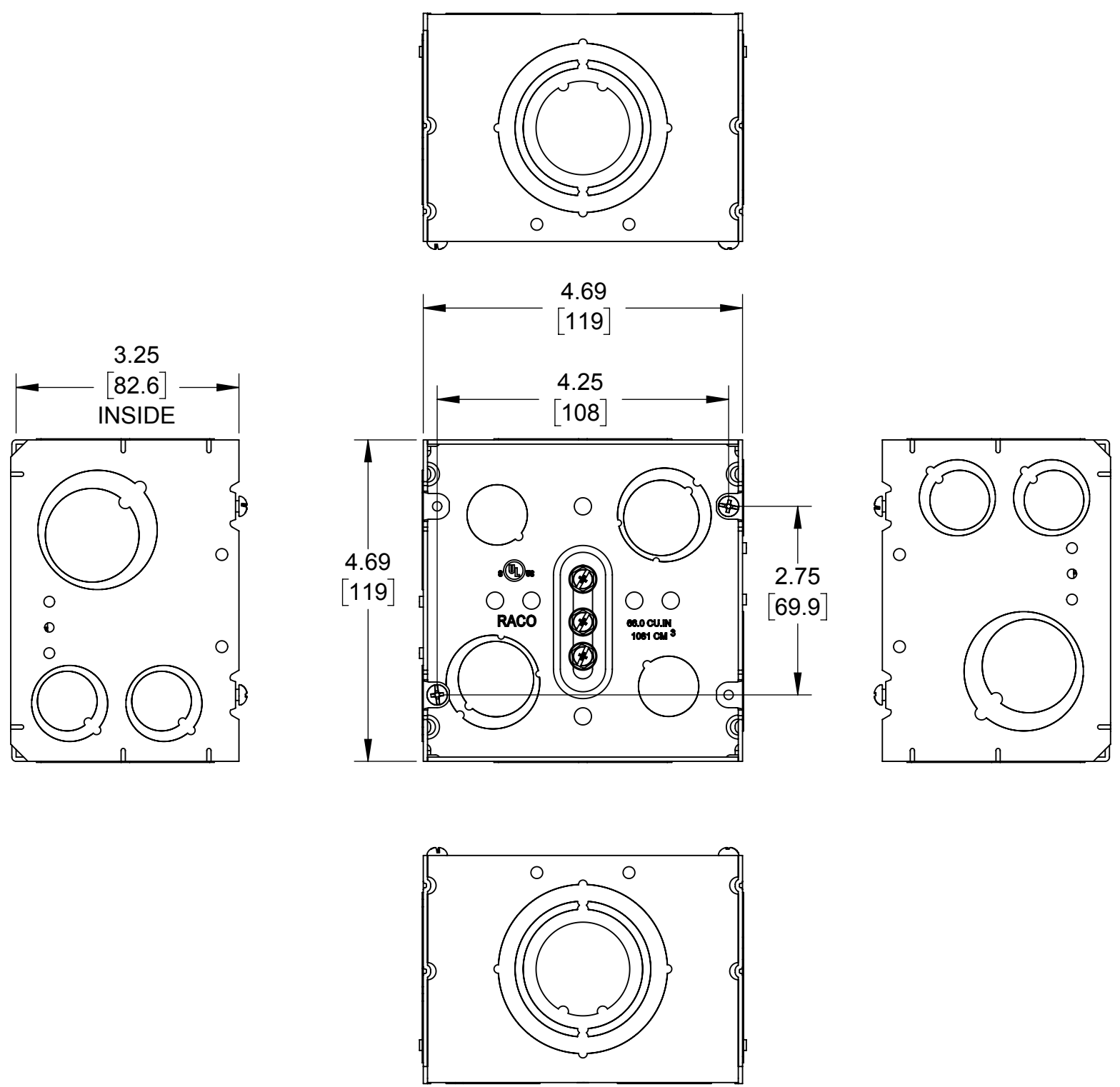


**LIST OF PARTS**

DESCRIPTION	MATERIAL	FINISH
SPACER	STEEL	GALVANIZED
SIDES	STEEL	GALVANIZED
FASTENERS	STEEL	GALVANIZED



- NOTES:**
1. ALL DIMENSIONS ARE IN INCHES AND [MILLIMETERS]
  2. BOX VOLUME: 66 IN<sup>3</sup> [1061 CM<sup>3</sup>]
  3. 3 GREEN #10-32 GROUND SCREWS INCLUDED
  4. ACCEPTS # 981 PARTITION , SOLD SEPARATELY
  5. cULus LISTED

KNOCKOUTS	
TRADE SIZE	LOCATION
1/2" KO	2- BOTTOM
1/2", 3/4" TKO®	2- ONE ON EACH SIDE
3/4", 1" TKO®	2- BOTTOM
1", 1-1/4" TKO®	2- ONE ON EACH SIDE
1", 1-1/4", 1-1/2", 2" COMB. KO	2- ONE ON EACH SIDE OF SPACER

INITIAL RELEASE	K.K.	DATE	
SYM.	REVISION DESCRIPTION	APP	DATE

THE DESIGN AND DIMENSIONS OF THE PRODUCT SHOWN ON THIS DRAWING ARE SUBJECT TO CHANGE WITHOUT NOTICE

TITLE: **4 11/16" SQ. 3 1/4" DEEP WELDED DATA BOX**

TOLERANCE UNLESS OTHERWISE SPECIFIED  
 .XX DECIMAL ±.015  
 .XXX DECIMAL ±.005  
 ANGLE ±2°

**RACO**  
 South Bend, Indiana

DRAWN BY: K.K.  
 APP. BY: N.S.  
 DATE: 2/09/2015

SCALE: 1:2