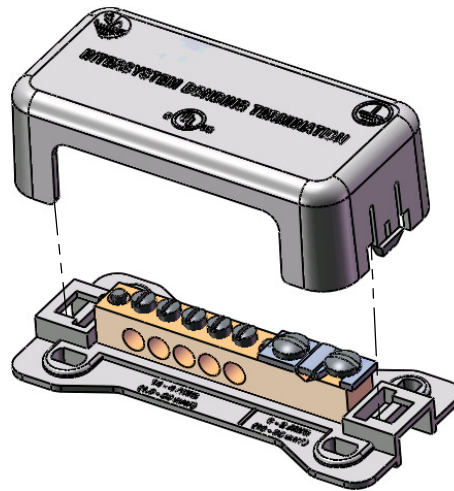
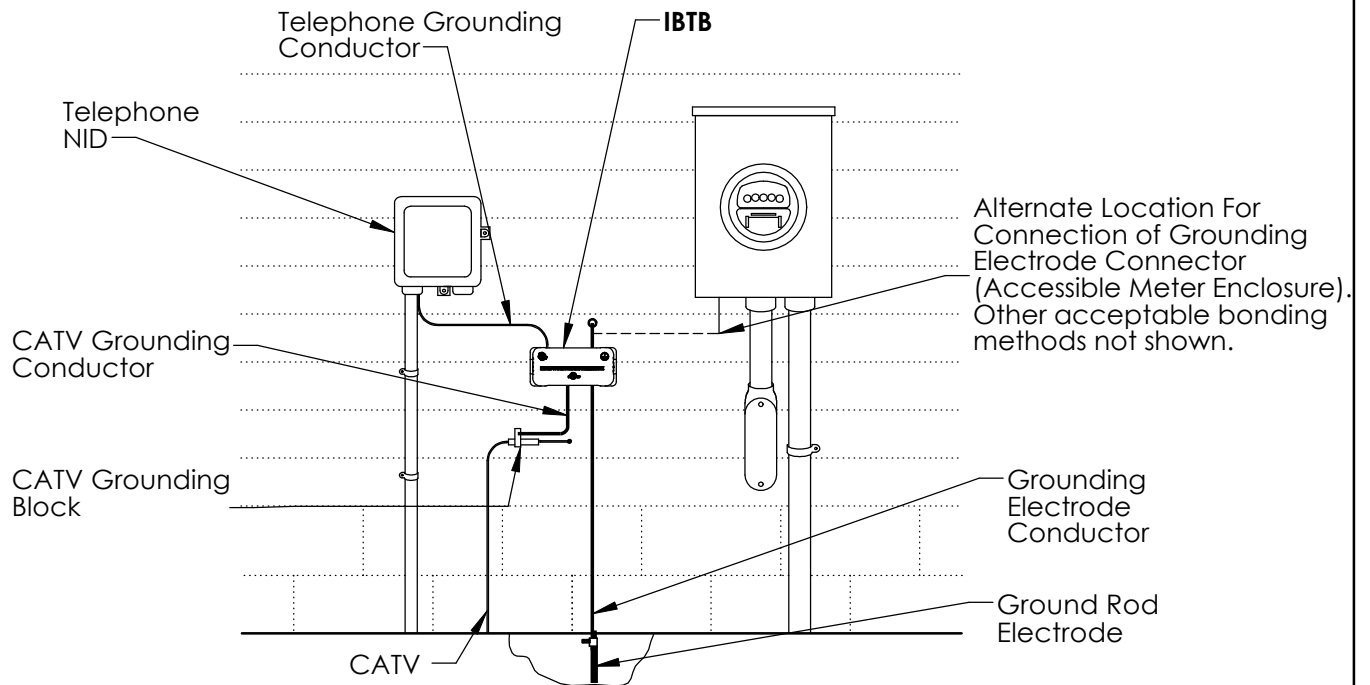


IBTB

INTERSYSTEM BONDING TERMINATION



Example of Intersystem Bonding Termination Installation- Residential Service



Note:
Intersystem Bonding Termination is also used to bond grounding conductors from television and radio antennas, satellite dish cable, antenna discharge units and lightning protection systems.

Warning:

1. Do not disconnect the electrical service grounding conductors while the system is energized.
2. Follow all local electrical codes as required by Authority Having Jurisdiction.

WARNING:

1. ERICO products shall be installed and used only as indicated in ERICO product instruction sheets and training materials. Instruction sheets are available at www.erico.com and from your ERICO customer service representative.
2. ERICO products must never be used for a purpose other than the purpose for which they were designed or in a manner that exceeds specified load ratings.
3. All instructions must be completely followed to ensure proper and safe installation and performance.
4. Improper installation, misuse, misapplication or other failure to completely follow ERICO's instructions and warnings may cause product malfunction, property damage, serious bodily injury and death. The customer is responsible for:
 - a. Conformance to all governing codes.
 - b. The integrity of structures to which the products are attached, including their capability of safely accepting the loads imposed, as evaluated by a qualified engineer.
 - c. Using appropriate industry standard hardware as noted above.

SAFETY INSTRUCTIONS:

All governing codes and regulations and those required by the job site must be observed. Always use appropriate safety equipment such as eye protection, hard hat, and gloves as appropriate to the application.

UL is a registered trademark of Underwriters Laboratories, Inc.

CADDY, CADWELD, CRITEC, ERICO, ERIFLEX, ERITECH, and LENTON are registered trademarks of ERICO International Corporation.

TECHNICAL SUPPORT:
www.erico.com

CFS380_F

1 OF 2

©2009 ERICO International Corporation



INSTALLATION:

#1

1/8" [3.2mm] DRILL FOR PILOT (4X)

20 in-lb [2.6 N-m] (4X)

IF REQ'D

1/4" [6.4mm] DRILL (4X)

NOTE 1: Mounting hardware and anchors included.

#2

1 6 - 2 AWG [16- 35mm²] Grounding Electrode Conductor

2 6 - 2 AWG [16- 35mm²] to grounding electrode conductor, equipment grounding conductors in service entrance enclosure or exposed non flexible metallic raceway

SEE NOTE 2

35 in-lb [4 N-m] (2X)

NOTE 2: UL Listed for 6 - 2 AWG Solid and 6 AWG Stranded

#3

BONDING CONDUCTORS 14 - 4 AWG [1.5mm²- 25mm²] SEE NOTE 3

35 in-lb [4 N-m]

NOTE 3: UL[®] Listed for 14 - 6 AWG Solid and 14 - 4 AWG Stranded

NOTE 4: Torque value for 6 AWG Solid [16mm²] is 40 in-lb [4.5 n-m]

#4

INTERSYSTEM BONDING TERMINATION

