


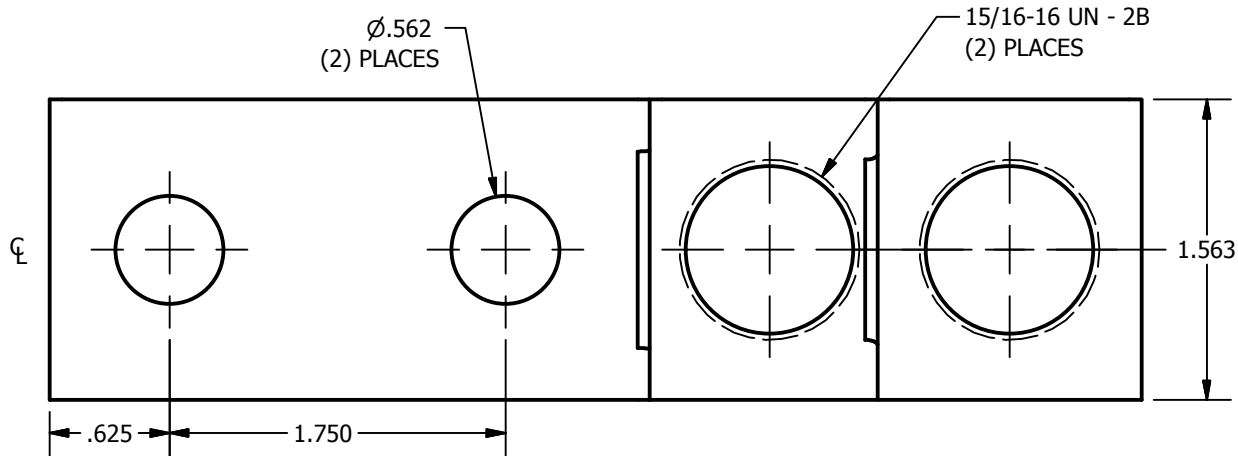


SCREW: E0945	MATERIAL: ALUMINUM	REV: R	 800-776-9775 www.ilsco.com
CAT. NO.: PB2-750-2N	PLATING: EL-TIN	DRAWN BY: CLH SCALE:1/2	
INFORMATION SHEET: FORM 1	MARKING: ILSCO, D2550, PB2-750-2N, 750MCM-1/0, AL9CU,  	DATE:2/19/2008 SIZE: A	
			DWG. NO. D2550-23
			SHEET: 1 OF 1



SCALE 1 / 4

