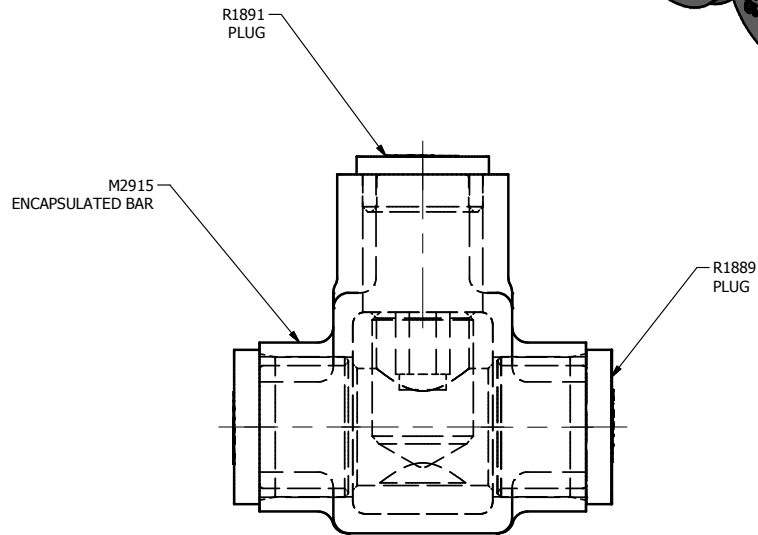
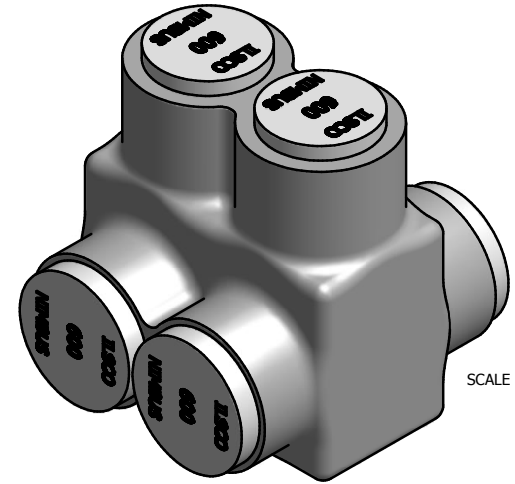
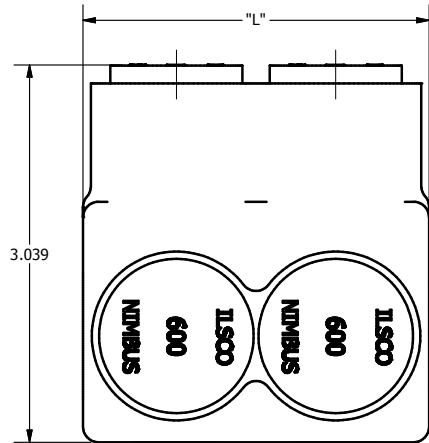
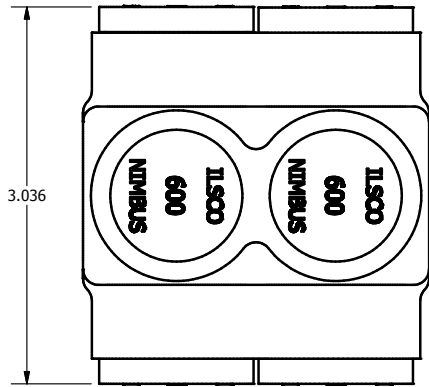


SCREW: E1012	MATERIAL: NONE	REV: M
CAT. NO.: SEE CHART	PLATING: NONE	DRAWN BY: JG
INFORMATION SHEET: FORM 1	MARKING: NONE	SCALE: B
		DATE: 8/31/2009
		SIZE: B

ILSCO
connections matter
800-776-9775 www.ilSCO.com

DWG NO: **M2915**
SHEET: 1 OF 1



CATALOG #	"L"	# OF SCREW PORTS
PBTD-2-500	2.781 IN	2
PBTD-3-500	4.062 IN	3
PBTD-4-500	5.343 IN	4
PBTD-5-500	6.624 IN	5
PBTD-6-500	7.905 IN	6
PBTD-7-500	9.186 IN	7
PBTD-8-500	10.467 IN	8
PBTD-9-500	11.748 IN	9
PBTD-10-500	13.029 IN	10
PBTD-11-500	14.310 IN	11
PBTD-12-500	15.591 IN	12
PBTD-13-500	16.872 IN	13
PBTD-14-500	18.153 IN	14