
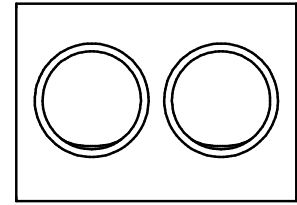
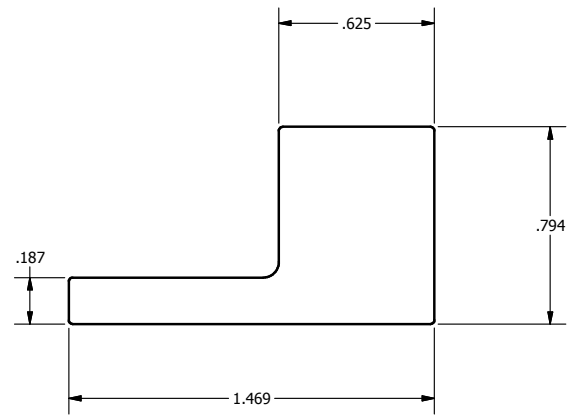
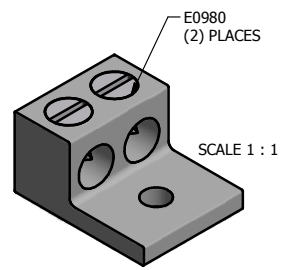
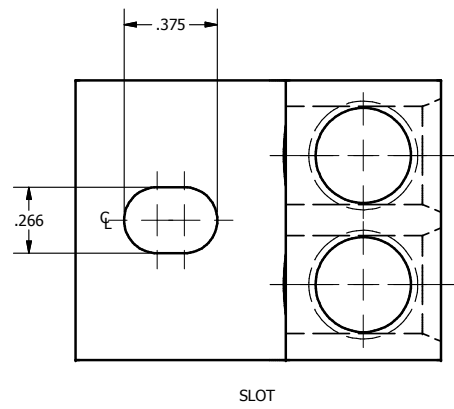
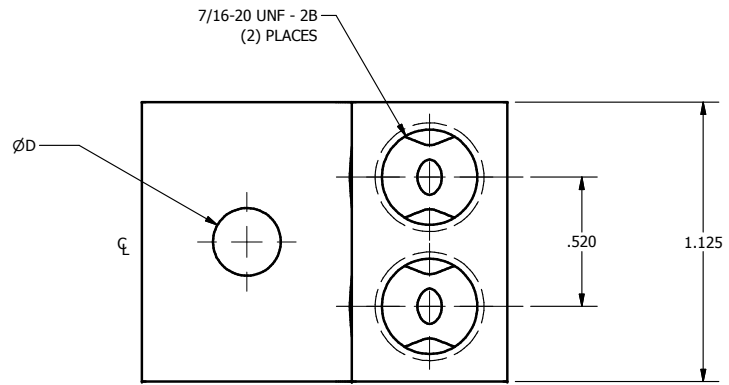
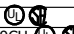
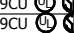
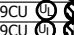
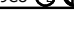



SCREW: E0980	MATERIAL: ALUMINUM	REV: H	 800-776-9775 www.ilSCO.com
CAT. NO.: AU-0, AU-0-B2	PLATING: EL-TIN	DRAWN BY: CLH SCALE: 2:1	
INFORMATION SHEET: FORM 1 AND 96	MARKING: SEE CHART	DATE: 1/16/2008 SIZE: B	
			DWG NO: D1112 SHEET: 1 OF 1



DEV	D	STUFFER SHEET	MARKING
-10	.272	FORM 96	BKB, ADR11-21, 1/0-14, AL9CU 
-22	.272	FORM 1	ILSCO, D1112, AU-0, 1/0-14, AL9CU 
-23	.272	FORM 1	ILSCO, D1112, AU-0, 1/0-14, AL9CU 
-24	SLOT	FORM 1	ILSCO, D1112, AU-0, 1/0-14, AL9CU 
-45	.437	FORM 1	ILSCO, D1112, AU-0, 1/0-14, AL9CU 

THE INFORMATION CONTAINED WITHIN THIS DOCUMENT IS PROPRIETARY TO ILSICO AND MAY NOT BE DISCLOSED WITHOUT PRIOR WRITTEN CONSENT