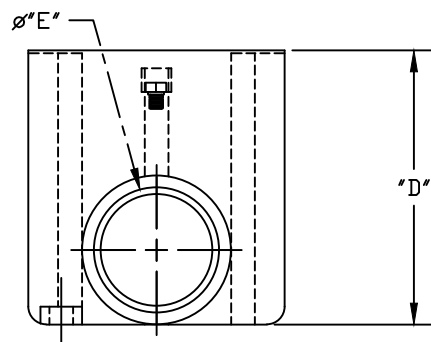
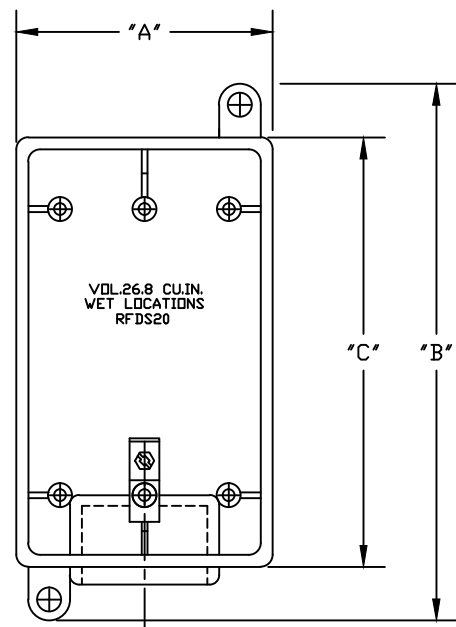
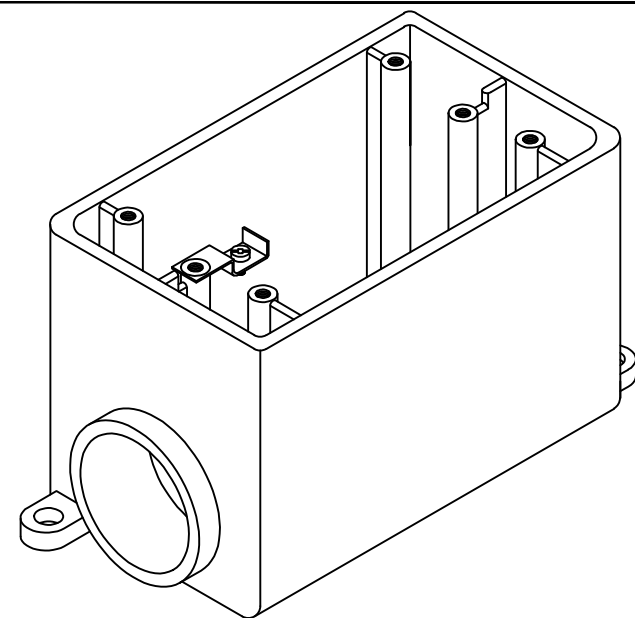


PART NUMBER	SIZE	"A"	"B"	"C"	"D"	"E"
5133300	1/2	2 1/16"	5 7/8"	4 1/2"	2 7/8"	7/8"
5133301	3/4	2 1/16"	5 7/8"	4 1/2"	2 7/8"	1 1/16"
5133302	1	2 1/16"	5 7/8"	4 1/2"	2 7/8"	1 5/16"



UL Listed
 Material is Rigid PVC
 Marine Listed w/Approved Cover



CANTEX INC. Fort Worth, TEXAS		
Type FDE Exposed Boxes		
Drawn By: O.M.	Date: 5/15/17	Ref. 5133300