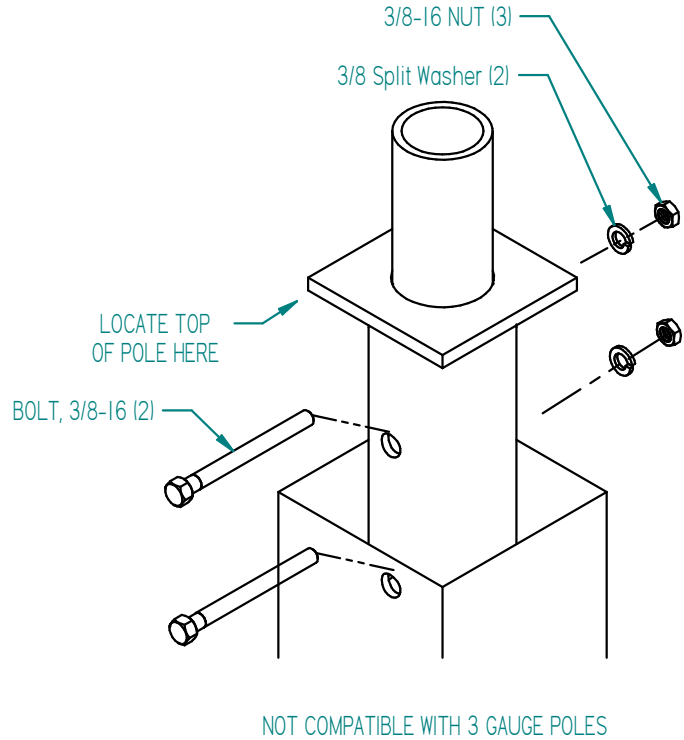
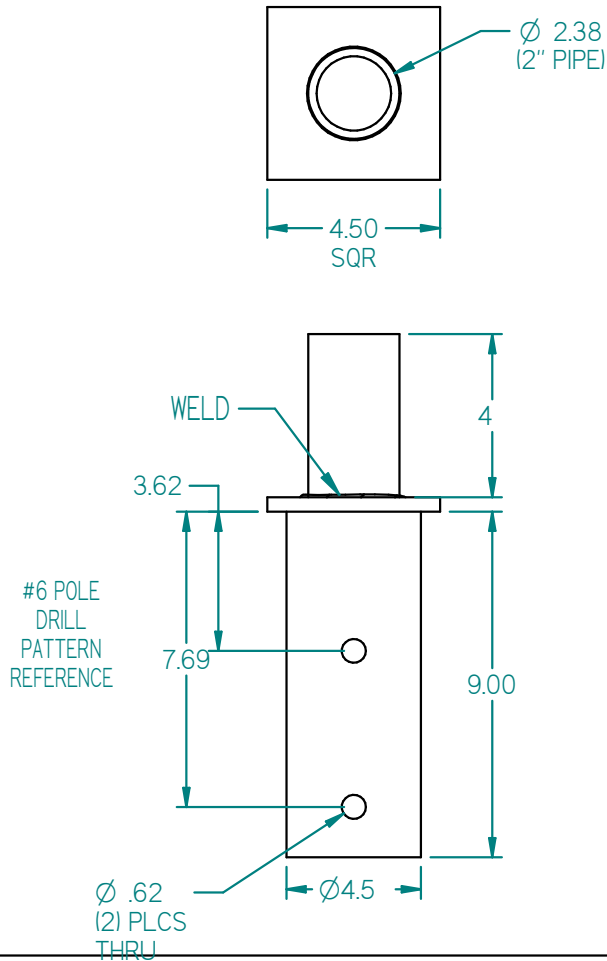


# SSS-T4 - 4" Square Pole Tenon Adapter

TENON BRACKETS AND ARMS ACCESSORY



For use with:  
Fixtures with Knuckles (VA, PT, CD, and MSV)



**WARNING:** To avoid damaging supply wiring, drill all necessary holes in poles, arms, or mounting brackets BEFORE pulling supply wires.

## Mounting Notes:

1. At top of pole, insert tenon reducer until top of pole locates at bottom of middle plate.
2. In case of missing holes, drill appropriately sized holes at distances seen in figure above to ensure access to all screws.
3. Insert (2) 3/8-16 bolts through the pole and adapter, and secure with (2) split washers and (2) nuts.

## Shipping Package Contents:

SSS-T4 Tenon Adapter (1)  
3/8-16 Bolt (2)  
3/8-16 Nut (2)  
3/8 Split Washer (2)

**Material:** Steel

**Finish:** Powder Paint

**Weight:** 10 lbs