

ENGINEERED ADVANTAGES IN EVERY DETAIL

What truly sets HPS apart is our proprietary features that make your job easier and protect against weather, dust, and debris in demanding industrial environments.



Offset outward facing floor installation holes for easy power tool access



Integrated wall mounting brackets for ease of installation at no extra cost



Removable hinged door simplifies access in hazardous locations.

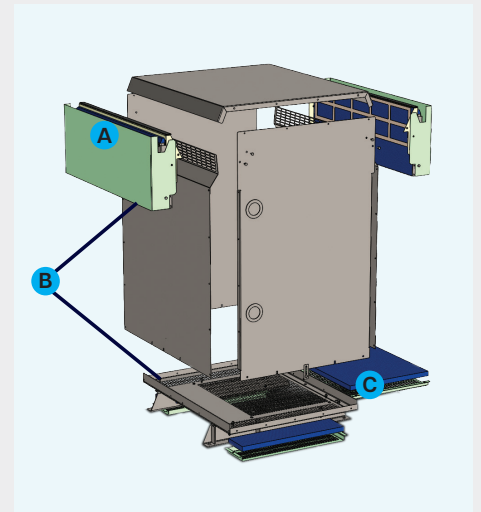
Note: Feature availability may vary by product. Use the HPS configurator or contact us to confirm.

HPS Type 3RE Plus Enclosure

We took the standard 3R enclosure and made it better— It's a smarter, more rugged solution built to extend the life of your transformer and minimize risks in harsh outdoor and demanding worksite conditions.

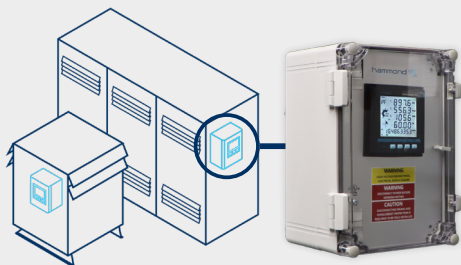


	Quick Filter Replacement (A)	Sealed Cable Entry Points (B)	Base-Mounted Filters (C)
Standard NEMA 3R Enclosure	X	X	X
HPS Type 3RE Plus Enclosure	✓	✓	✓



PREVENTATIVE MAINTENANCE AND MANAGEMENT

Smart ideas that keep your business running.



IIoT Smart Transformers

Remote Real Time Monitoring

Act on power quality insights in real time, with secure integration that operates within your firewall to reduce cybersecurity risks.



Infrared Window

On-Site Proactive Maintenance

Perform thermal checks without shutdowns for faster, safer maintenance routines.