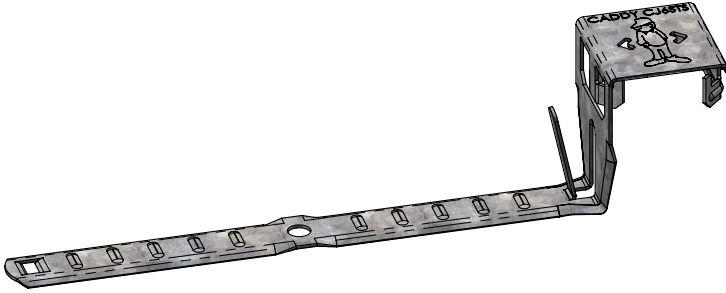
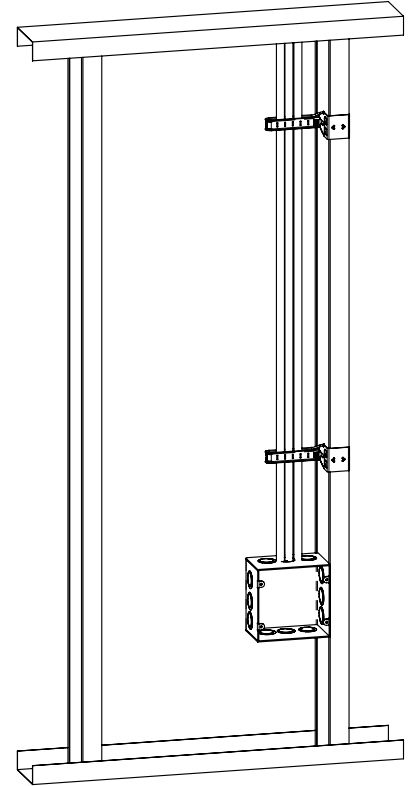


CJ6STS SNAP-TO-STUD CABLE SUPPORT



Sizing Chart

Part Number	Cable Type	Cable Size	Cables Per Fastener	Description	Box Quantity
CJ6STS	Non-Metallic Sheathed Cable (Romex), Flat	14-2, 12-2, 10-2, 14-3, 12-3 and 10-3 w/ground	6 MAX	To attach Non-Metallic Sheathed Cable (Romex), AC, BX, and MC Cable to Metal Stud	100
		8-2 and 6-2 w/ground	4 MAX		
	Metal Clad (MC) Cable	14-2, 12-2, 10-2, 14-3, 12-3, 10-3, 14-4, 12-4, and 10-4 w/ground	4 MAX		
	Armored Cable (AC)	14-2, 12-2, 10-2, 14-3, 12-3, 10-3, 14-4, 12-4 and 10-4 w/ground	4 MAX		
	Flexible Metal Conduit (BX)	3/8	4 MAX		



Application

Ref. NEC Article 300-4d.

WARNING:

1. nVent products shall be installed and used only as indicated in nVent product instruction sheets and training materials. Instruction sheets are available at www.nVent.com and from your nVent customer service representative.
2. nVent products must never be used for a purpose other than the purpose for which they were designed or in a manner that exceeds specified load ratings.
3. All instructions must be completely followed to ensure proper and safe installation and performance.
4. Improper installation, misuse, misapplication or other failure to completely follow nVent's instructions and warnings may cause product malfunction, property damage, serious bodily injury and/or death, and void your warranty.
5. Products that are manufactured using spring steel components shall be used only in a non-corrosive indoor environment.
6. All pipe supports, hangers, intermediate components and structural attachments must ONLY be used as described herein and are NEVER to be used for any other purpose.

NOTE: All load ratings are for static conditions and do not account for dynamic loading such as wind, water or seismic loads, unless otherwise noted.

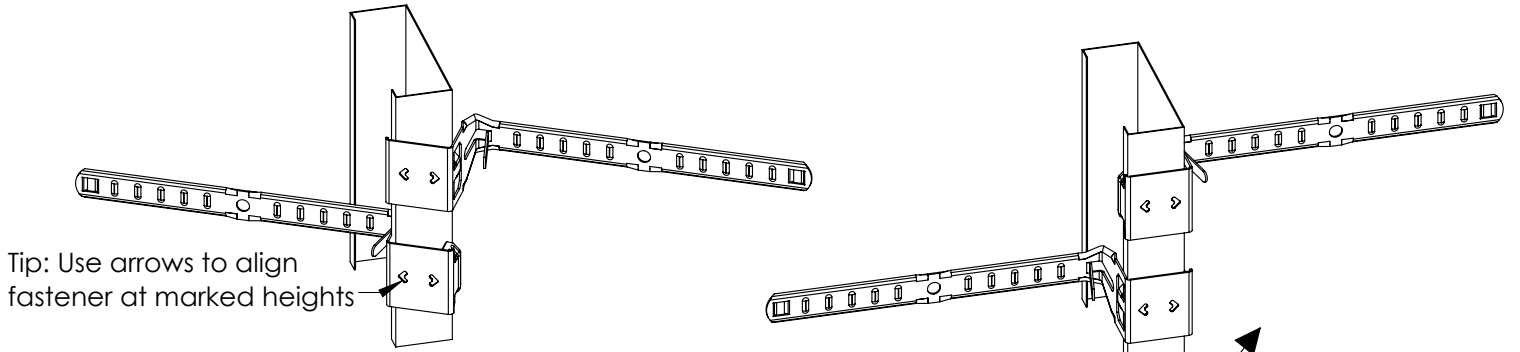
The customer is responsible for:

- a. Conformance to all governing codes.
- b. The integrity of structures to which the products are attached, including their capability of safely accepting the loads imposed, as evaluated by a qualified engineer.
- c. Using appropriate industry standard hardware as noted above.

SAFETY INSTRUCTIONS:

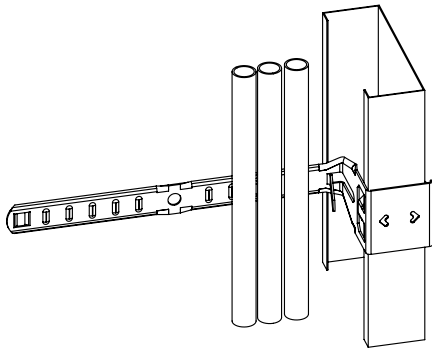
All governing codes and regulations and those required by the job site must be observed. Always use appropriate safety equipment such as eye protection, hard hat, and gloves as appropriate to the application.

nVent, nVent CADDY, nVent ERICO Cadweld, nVent ERICO Critec, nVent ERICO, nVent ERIFLEX, and nVent LENTON are owned by nVent or its global affiliates. All other trademarks are the property of their respective owners. nVent reserves the right to change specifications without prior notice.

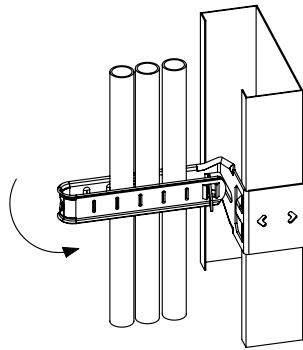


1. Hook tabs on return lip of open side stud

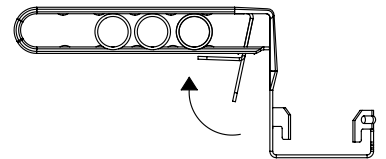
2. Rock fastener toward closed side of stud
NO screws required!



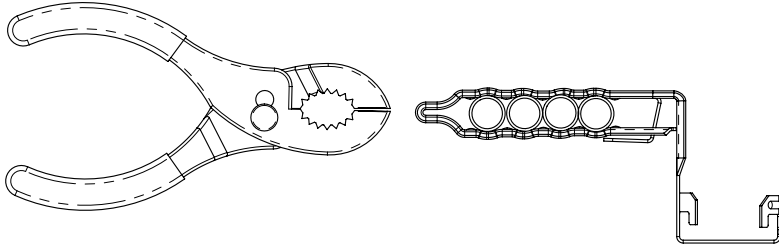
3. Install cables



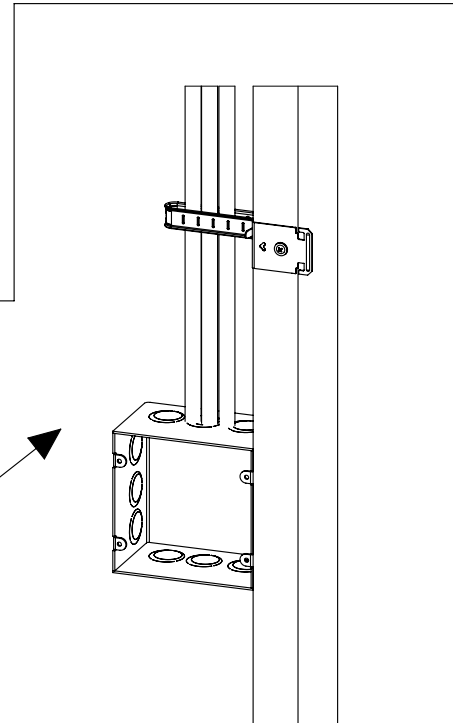
4. Fold fastener closed.
Insert tab in hole



5. Fold tab as shown to latch fastener closed.



5. Optional: For a snug grip on the cables, crimp the fastener with pliers.



*For wider than standard 1-1/4" studs
Unbend fastener as shown and install to stud with a screw

