

# T5020-W



**Color:** White

**UPC Code:** 07847738180

**Country Of Origin:** Mexico

**NEMA:**  
5-20R



## Item Description

Single Receptacle Outlet, Commercial Specification Grade, Tamper-Resistant, Smooth Face, 20 Amp, 125 Volt, Side Wire, NEMA 5-20R, 2-Pole, 3-Wire, Self-Grounding - White

## Technical Information

### AC Horsepower Ratings

**At Rated Voltage:** 1 HP

### Electrical Specifications

**Grounding:** Self-Grounding

**Amperage:** 20 A

**Voltage:** 125 VAC

**Pole:** 2

**Wire:** 3

**Dielectric Voltage:** Withstands 2000V per UL498

**Current Limiting:** Full Rated Current

**Temperature Rise:** Max 30C after 250 cycles OL at 200 percent rated current

### Environmental Specifications

**Flammability:** Rated V-2 per UL94

**Operating Temperature:** -40°C to 60°C

### Material Specifications

**Face Material:** Thermoplastic Nylon

**Body Material:** Thermoplastic Nylon

**Line Contacts:** Brass Triple-Wipe

**Terminal Screws:** Brass 10-32

**Grounding Screw:** Brass 8-32

**Strap Material:** Zinc-Plated Steel

**Clamp Nuts:** Zinc-Plated Steel

**Ground Clips:** Brass-Plated

**Color:** White

### Mechanical Specifications

**Terminal ID:** Brass-Hot, Green-Ground, Silver-Neutral

**Terminal Accom.:** 14-10 AWG

**Product ID:** Ratings are permanently marked on device

**Termination:** Side Wire

### Product Features

**NEMA:** 5-20R

**Color:** White

**Device Type:** Single Receptacle Outlet

**Feature 2:** Tamper-Resistant

**Feature 4:** Smooth Face

**Grade:** Commercial Specification Grade

### Standards and Certifications

**NEMA:** WD-6

**ANSI:** C-73

**UL498:** File E13399

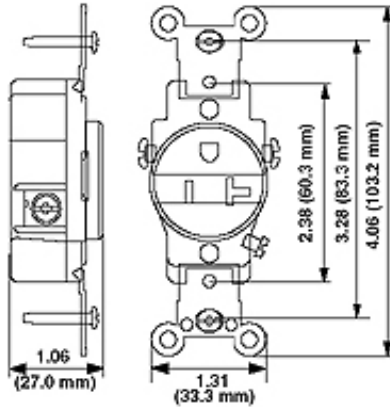
**UL Fed Spec WC-596:** File E13399

**CSA C22.2 No. 42:** File 152105

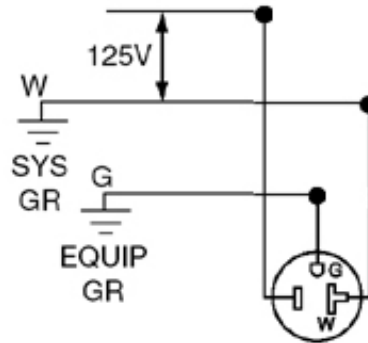
**NOM:** 057

**Warranty:** 10 Year Limited

## Dimensional Diagram



## Wiring Diagram



5-20R

### SPECIFICATION SUBMITTAL

JOB NAME: <input style="width: 95%;" type="text"/>	CATALOG NUMBERS: <input style="width: 95%;" type="text"/>
JOB NUMBER: <input style="width: 95%;" type="text"/>	<input style="width: 95%;" type="text"/>

**Leviton Manufacturing Co., Inc.**

201 North Service Road, Melville, NY 11747

Teléfono: +1-800-323-8920 · FAX: +1-800-832-9538 · Tech Line (8:30AM-7:30PM E.S.T. Monday-Friday): +1-800-824-3005

**Leviton Manufacturing of Canada, Ltd.**

165 Hymus Boulevard, Pointe Claire, Quebec H9R 1E9 · Telephone: +1-800-469-7890 ·

FAX: +1-800-824-3005 · [www.leviton.com/canada](http://www.leviton.com/canada)

**Leviton S. de R.L. de C.V.**

Lago Tana 43, Mexico DF, Mexico CP 11290 · Tel.: (+52)55-5082-1040 · FAX: (+52)5386-

1797 · [www.leviton.com.mx](http://www.leviton.com.mx)

Visit our Website at: [www.leviton.com](http://www.leviton.com)

© 2018 Leviton Manufacturing Co., Inc. Todos los derechos reservados. Subject to change without notice.

**Leviton has a global presence.**

If you would like to know where your local Leviton office is located please go to:

[www.leviton.com/international/contacts/](http://www.leviton.com/international/contacts/)

