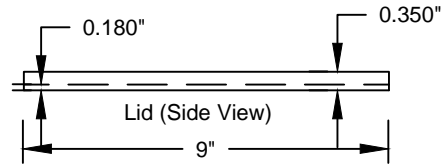
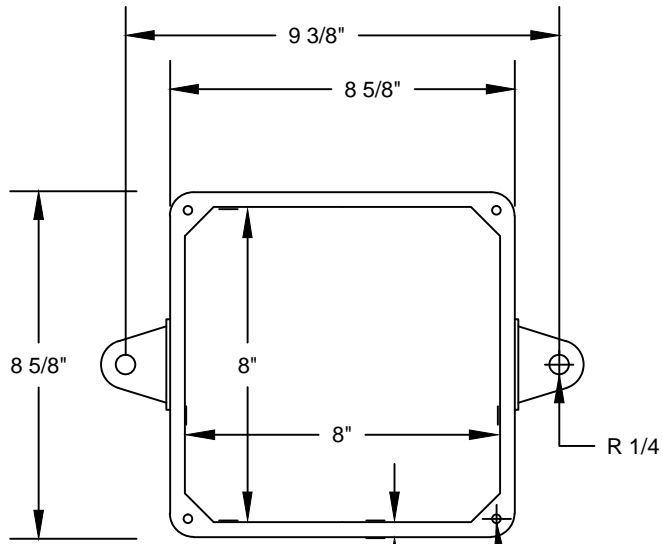
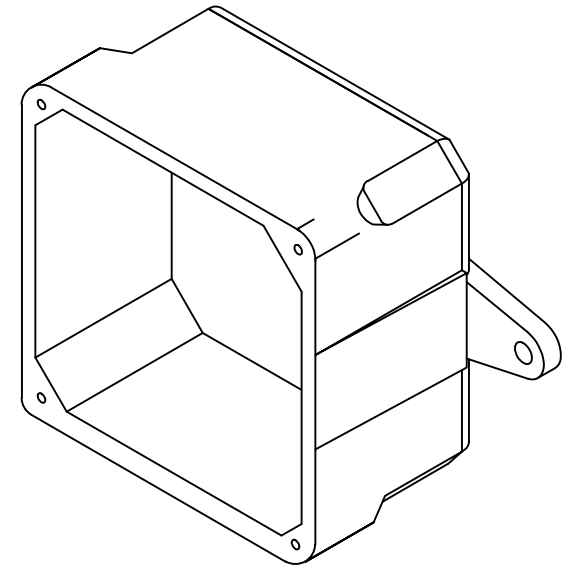


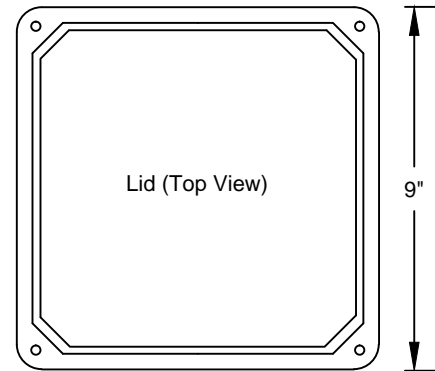
Box (Side View)



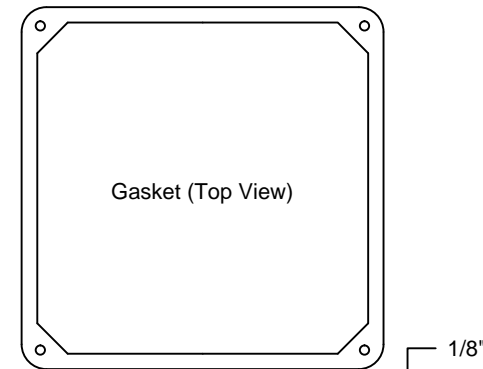
Lid (Side View)



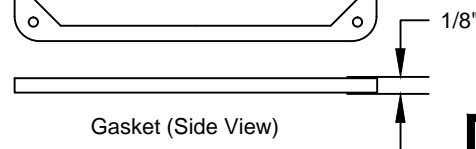
Box (Top View)



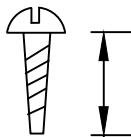
Lid (Top View)



Gasket (Top View)



Gasket (Side View)



10 by 3/4"

UL Listed
 Marine Listed
 UL File # E205935 (QCUP)
 UL Control # 92CM
 Material is Rigid PVC
 433 cu in Volume (7096 cu cm)
 Screws are Zinc Plated Steel
 Gasket is neoprene



CANTEX
 INC.
 Fort Worth, TEXAS

Junction Box 8 x 8 x 7

Drawn By: O.M.

Date: 6/19/17

5133708