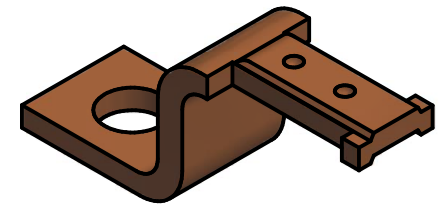
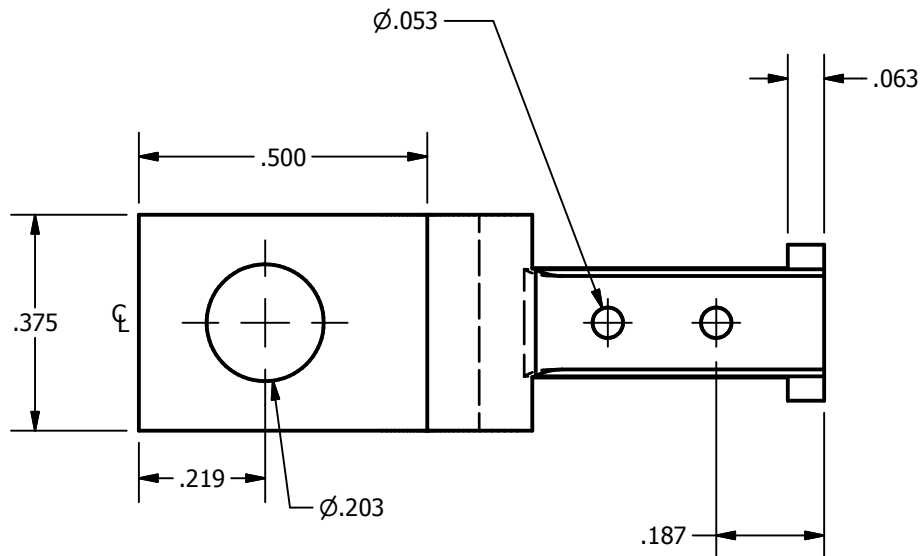


SCREW: NONE  
 CAT. NO.: NONE  
 INFORMATION SHEET: NONE

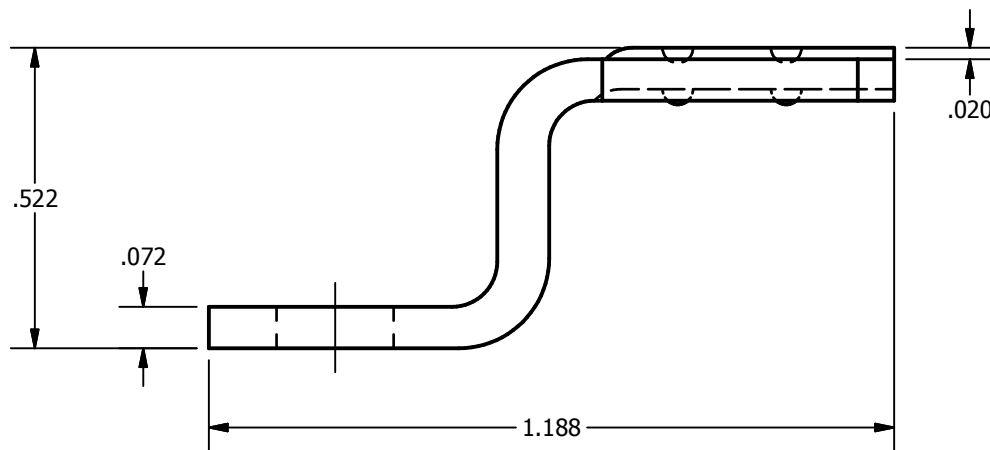
MATERIAL: COPPER  
 PLATING: SEE CHART  
 MARKING: SEE CHART

REV: G  
 DRAWN BY: JG  
 DATE: 6/4/2007

**ILSCO**  
*connections matter*  
 800-776-9775 www.ilsco.com  
 DWG. NO. **F0013**  
 SHEET: 1 OF 1



VIEW9  
 SCALE 2 : 1



DEV	PLATING	MARKING
COOB	BRIGHT DIP	SLU-35
COOT	EL-TIN	SLU-35
C10B	BRIGHT DIP	BTC 0614