
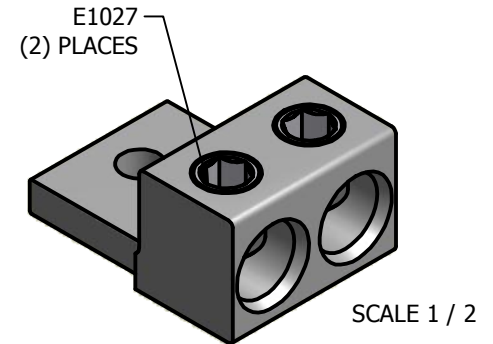
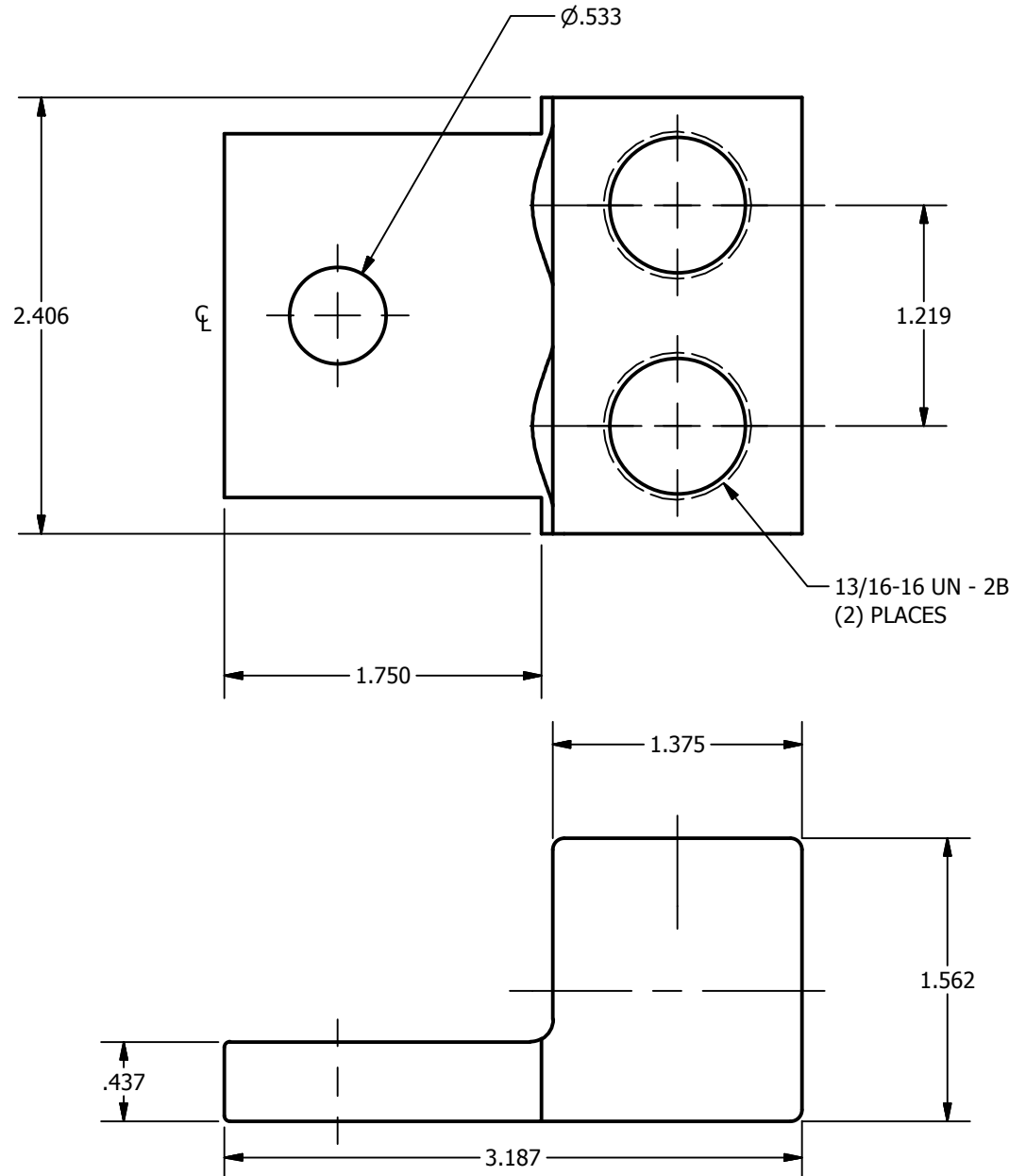




SCREW: E1027	MATERIAL: ALUMINUM	REV: H	 800-776-9775 www.ilSCO.com
CAT. NO.: ADR6021/AU-600	PLATING: EL-TIN	DRAWN BY: CLH SCALE:1:1	
INFORMATION SHEET: FORM 1	MARKING: SEE CHART	DATE:1/15/2008 SIZE: A	
		DWG. NO.	D0899
		SHEET: 1 OF 1	



CAT NO	MARKING
ADR6021	BKB, ADR60-21,600-2, 450 IN LBS,AL9CU  
AU-600	ILSCO, AU-600, D899, 600MCM-2, AL9CU, AL-CU 