
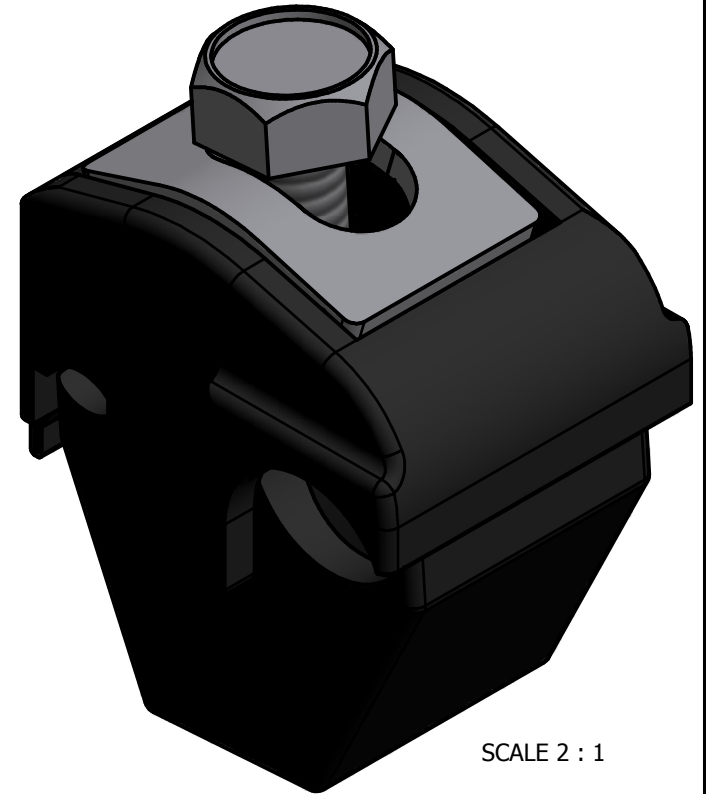
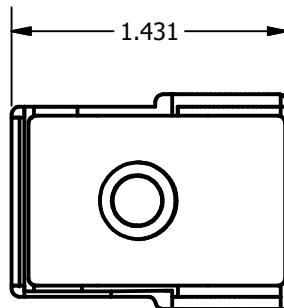
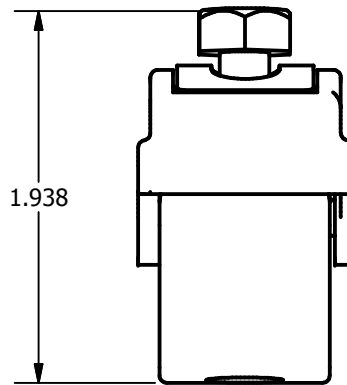
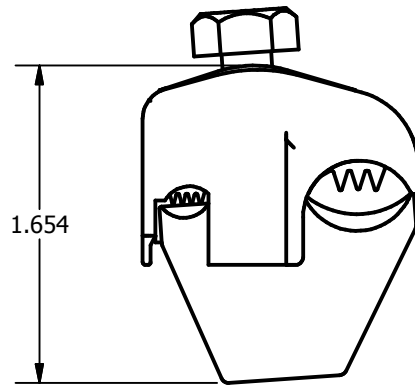
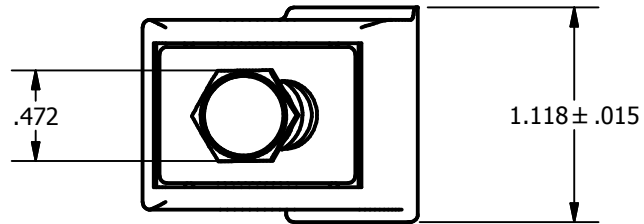


SCREW: 130257	MATERIAL: SEE NOTES 1 & 2	REV: B		
CAT. NO.: IPC-4/0-6 & IPC-4/0-6-B	PLATING: NONE	DRAWN BY: JG	SCALE: 1:1	800-776-9775 www.ilsco.com
INFORMATION SHEET: FORM 66	MARKING: NONE	DATE: 2/11/2008	SIZE: A	DWG. NO. K0448
				SHEET: 1 OF 1



- NOTES:
1. NYLON BODY
 2. TIN PLATED COPPER TEETH
 3. WIRE RANGE: MAIN- 4/0 - 4
TAP- 6 - 14