
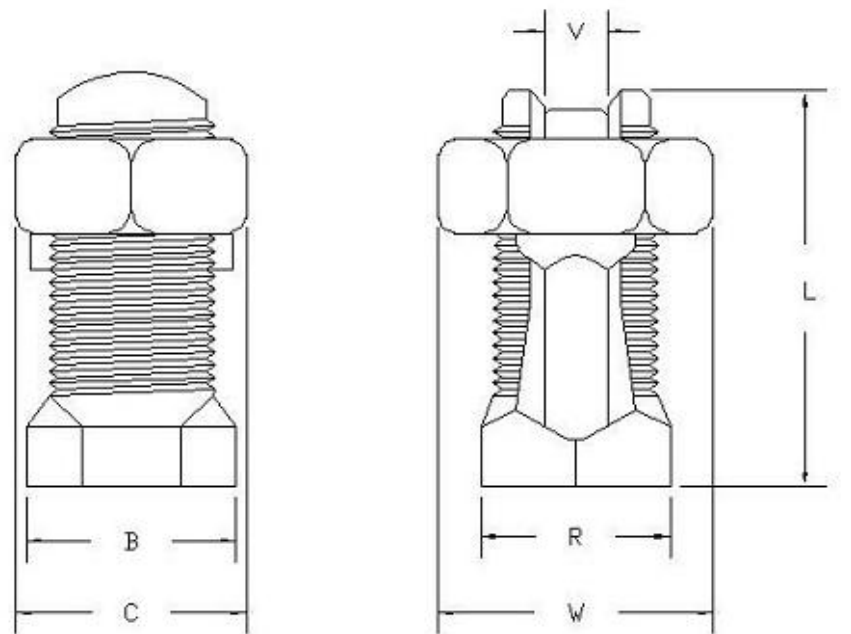


| | | | |
|-----------------------------|------------------|---------------------------|--|
| SCREW: NONE | MATERIAL: NONE | REV: D |  800-776-9775 www.ilSCO.com |
| CAT. NO.: SEE CHART | PLATING: NONE | DRAWN BY: CLH SCALE: NONE | |
| INFORMATION SHEET: FORM 165 | MARKING: SEE DWG | DATE: 3/3/2009 SIZE: B | |
| | | | DWG NO: K0256-K0269 |
| | | | SHEET: 1 OF 1 |



| CATALOG NUMBER | BODY (CUSTOMER PN) | NUT AND TONGUE (CUSTOMER PN) | B | C | L | R | V | W REF | PUC REF NO |
|----------------|--------------------|------------------------------|---------|-------|-----------|-------|-------|-------|------------|
| IK-10 | 0L56-54723-01 | 0U00-53368-01 | .430 | .500 | (.720) | .340 | .125 | .580 | S-10 |
| IK-8 | 0L56-54723-02 | 0U00-53368-02 | .500 | .500 | (.840) | .380 | .145 | .580 | S-8 |
| IK-6 | 0L56-54723-03 | 0U00-53368-03 | .550 | .630 | (1.050) | .500 | .165 | .720 | S-6 |
| IK-4 | 0L56-54723-04 | 0U00-53368-04 | .620 | .690 | (1.050) | .560 | .215 | .790 | S-4 |
| IK-3 | 0L56-54723-05 | 0U00-53368-05 | .780 | .810 | (1.320) | .690 | .328 | .940 | S-3 |
| IK-2 | 0L56-54723-06 | 0U00-53368-06 | .780 | .810 | (1.320) | .690 | .328 | .940 | S-2 |
| IK-1/0 | 0L56-54723-07 | 0U00-53368-07 | .870 | .880 | (1.640) | .750 | .377 | 1.010 | S-1/0 |
| IK-2/0 | 0L56-54723-08 | 0U00-53368-08 | .930 | 1.000 | (1.820) | .810 | .420 | 1.150 | S-2/0 |
| IK-3/0 | 0L56-54723-09 | 0U00-50829-80 | (1.080) | 1.130 | 2.000 MAX | .880 | .470 | 1.300 | S-3/0 |
| IK-250 | 0L56-54723-10 | 0U00-50829-47 | (1.210) | 1.310 | 2.080 MAX | 1.000 | .580 | 1520 | S-4/0-250 |
| IK-350 | 0L56-54723-11 | 0U00-50829-55 | (1.730) | 1.630 | 2.630 MAX | 1.500 | .746 | 1.880 | S-350 |
| IK-500 | 0L56-54723-12 | 0U00-50829-53 | (1.880) | 1.810 | 3.000 MAX | 1.630 | .834 | 2.090 | S-500 |
| IK-750 | 0L56-54723-13 | 0U00-53368-51 | (2.240) | 2.130 | 3.750 MAX | 1.940 | 1.030 | 2.450 | S-750 |
| IK-1000 | 0L56-54723-14 | 0U00-53368-49 | (2.600) | 2.500 | 4.000 MAX | 2.250 | 1.220 | 2.890 | S-1000 |

