

Contactor HCD Series

600 V ac • 50–120 A • 3P



Description

The HCD Series definite purpose contactors consists of 3 pole from 50 amperes through 120 amperes. Acting as an on/off switch controlled by thermostats, contactors are designed with consistent silver thickness for increased product life, making them ideal for the demands of a broad range of applications.

Features & Benefits

FEATURES	BENEFITS
Double E magnet assembly	For optimal performance with reduced power use
Movable contacts with heavy duty silver cadmium oxide	To help extend the life of the product
One piece terminal design meets NEMA standard	Allowing spacing without insulated terminals
Termination options include combo screw, screw with pressure plate, or lug	To meet a broad range of system needs
Universal mounting configuration	Helps streamline installation
Optional auxilliary switches	Designed for use with 3 pole & 4 pole contactors

Applications

- HVAC/R
- Food & Beverage
- Lighting
- Welding
- Water/Wastewater

Specifications

Initial Dielectric Strength	Between Contacts & Coils: 2,200 V ac; Between Poles: 2,200 V ac (includes shunt); Between Open Contacts: 2,200 V ac (no shunt)
Arc Cover	Standard
Insulation System	130 °C Class B
Unit Weight	50–60 FLA: 32 oz; 75–90 FLA: 64 oz
Power Pole Terminations	Aluminum Box Lug
Wire Size	50–60 FLA: Box Lug 14–2; 75–90 FLA: Box Lug 14–1
Recommended Tightening Torque	Box Lug: 50 in.-lbs
Coil Terminal Connections	Coil terminals: Dual 0.250" quick connects or #6–32 screw
Power Terminal Connections	Dual 0.250" quick connects
Operating Temperature	-40 °C to 65 °C; -40 °F to 150 °F

Contactor HCD Series

Certification & Compliance

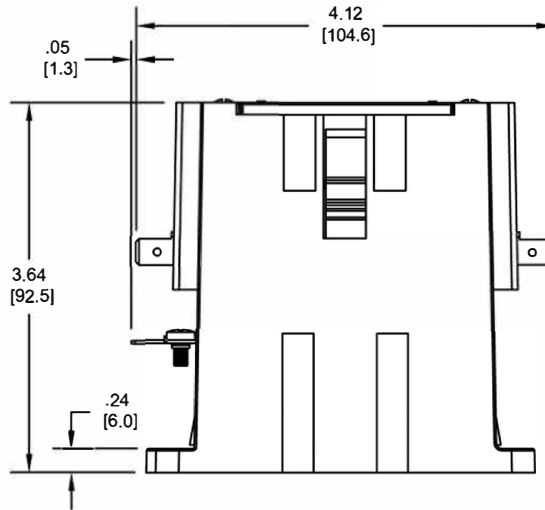
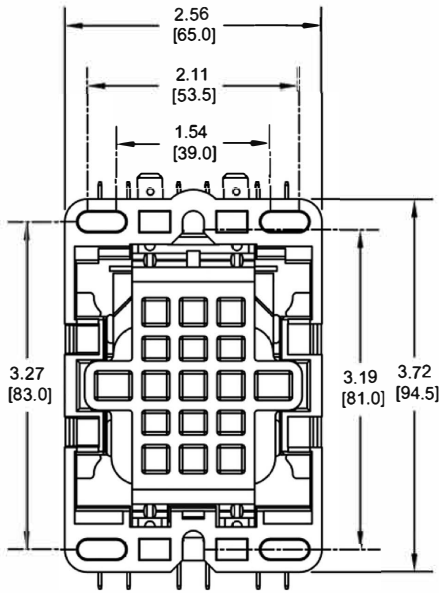
RU, cRU	File No. E227250
CSA	File No. 221260

Ordering Information

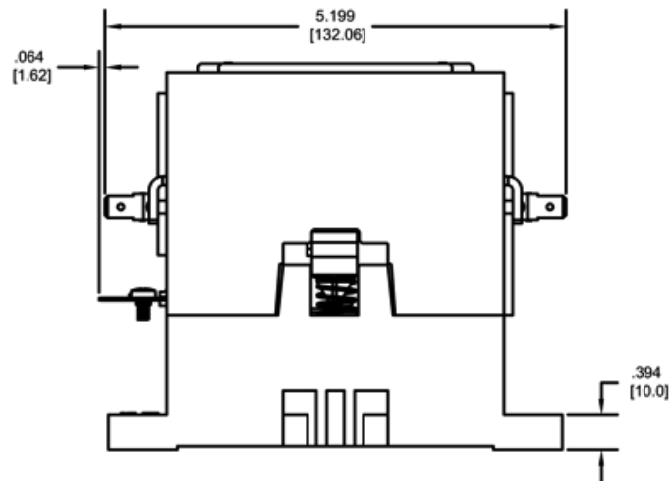
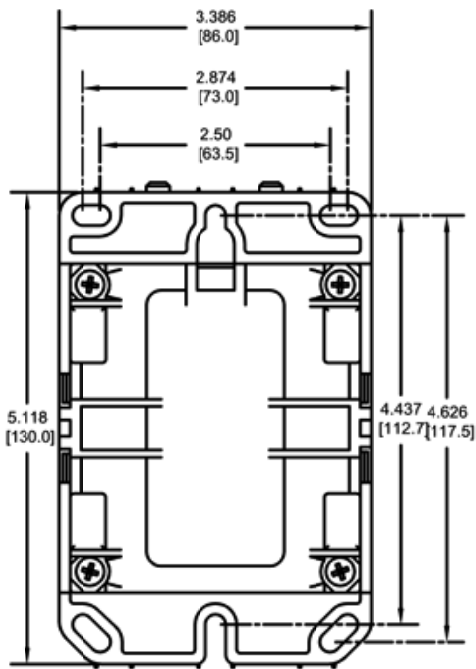
LITTELFUSE CATALOG NUMBER	CONTACTOR FORM PER CIRCUIT	FULL LOAD CURRENT INDUCTIVE	LOCKED ROTOR CURRENT	LOCKED ROTOR CURRENT	LOCKED ROTOR CURRENT	FULL LOAD CURRENT RESISTIVE	PULL IN VOLTAGE	NOMINAL COIL VOLTAGE	WEIGHT
CON-3/480/50	3 pole NO	50 A	300 A @ 240 V ac	250 A @ 480 V ac	200 A @ 600 V ac	65 A @ 600 V ac	384 V	480 V	1.45 Lb
CON-3/480/60	3 pole NO	60 A	360 A @ 240 V ac	300 A @ 480 V ac	240 A @ 600 V ac	75 A @ 600 V ac	384 V	480 V	1.45 Lb
CON-3/480/75	3 pole NO	75 A	450 A @ 240 V ac	375 A @ 480 V ac	300 A @ 600 V ac	90 A @ 600 V ac	384 V	480 V	3.4 Lb
CON-3/480/90	3 pole NO	90 A	540 A @ 240 V ac	450 A @ 480 V ac	360 A @ 600 V ac	120 A @ 600 V ac	384 V	480 V	3.4 Lb
CON-3/480/120	3 pole NO	120 A	720 A @ 240 V ac	600 A @ 480 V ac	480 A @ 600 V ac	150 A @ 600 V ac	384 V	480 V	3.4 Lb
CON-3/24/50	3 pole NO	50 A	300 A @ 240 V ac	250 A @ 480 V ac	200 A @ 600 V ac	65 A @ 600 V ac	18 V	24 V	1.45 Lb
CON-3/24/60	3 pole NO	60 A	360 A @ 240 V ac	300 A @ 480 V ac	240 A @ 600 V ac	75 A @ 600 V ac	18 V	24 V	1.45 Lb
CON-3/24/75	3 pole NO	75 A	450 A @ 240 V ac	375 A @ 480 V ac	300 A @ 600 V ac	90 A @ 600 V ac	18 V	24 V	3.4 Lb
CON-3/24/90	3 pole NO	90 A	540 A @ 240 V ac	450 A @ 480 V ac	360 A @ 600 V ac	120 A @ 600 V ac	18 V	24 V	3.4 Lb
CON-3/24/120	3 pole NO	120 A	720 A @ 240 V ac	600 A @ 480 V ac	480 A @ 600 V ac	150 A @ 600 V ac	18 V	24 V	3.4 Lb
CON-3/120/50	3 pole NO	50 A	300 A @ 240 V ac	250 A @ 480 V ac	200 A @ 600 V ac	65 A @ 600 V ac	93 V	120 V	1.45 Lb
CON-3/120/60	3 pole NO	60 A	360 A @ 240 V ac	300 A @ 480 V ac	240 A @ 600 V ac	75 A @ 600 V ac	93 V	120 V	1.45 Lb
CON-3/120/75	3 pole NO	75 A	450 A @ 240 V ac	375 A @ 480 V ac	300 A @ 600 V ac	90 A @ 600 V ac	88 V	120 V	3.4 Lb
CON-3/120/90	3 pole NO	90 A	540 A @ 240 V ac	450 A @ 480 V ac	360 A @ 600 V ac	120 A @ 600 V ac	88 V	120 V	3.4 Lb
CON-3/120/120	3 pole NO	120 A	720 A @ 240 V ac	600 A @ 480 V ac	480 A @ 600 V ac	150 A @ 600 V ac	88 V	120 V	3.4 Lb
CON-3/240/50	3 pole NO	50 A	300 A @ 240 V ac	250 A @ 480 V ac	200 A @ 600 V ac	65 A @ 600 V ac	177 V	208/240 V	1.45 Lb
CON-3/240/60	3 pole NO	60 A	360 A @ 240 V ac	300 A @ 480 V ac	240 A @ 600 V ac	75 A @ 600 V ac	177 V	208/240 V	1.45 Lb
CON-3/240/90	3 pole NO	90 A	540 A @ 240 V ac	450 A @ 480 V ac	360 A @ 600 V ac	120 A @ 600 V ac	177 V	208/240 V	3.4 Lb
CON-3/240/120	3 pole NO	120 A	720 A @ 240 V ac	600 A @ 480 V ac	480 A @ 600 V ac	150 A @ 600 V ac	177 V	208/240 V	3.4 Lb

Contactor HCD Series

Dimensions in (mm)



3 Pole Contactor 50 - 60 FLA



3 Pole Contactor 75-125 FLA

Disclaimer Notice – Information furnished is believed to be accurate and reliable. However, users should independently evaluate the suitability of and test each product selected for their own applications. Littelfuse products are not designed for, and may not be used in, all applications. Read complete Disclaimer Notice at www.littelfuse.com/product-disclaimer.