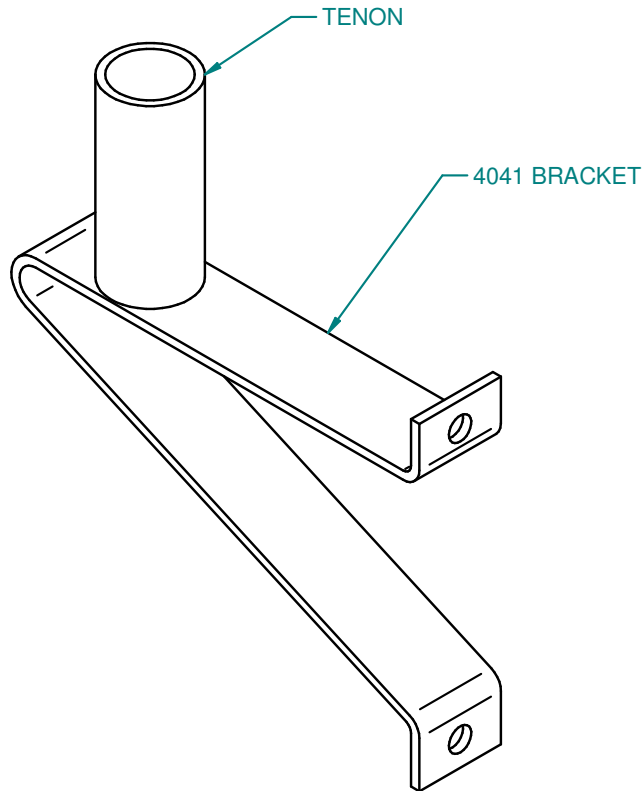


# 4041 - Steel Wall/Pole Bracket 2" Pipe

FLOODLIGHTING ACCESSORY

**Warning:** DISCONNECT POWER BEFORE INSTALLATION OR MAINTENANCE



**Mounting Notes:**

1. Secure the wall bracket to the wall. Anchoring bolts to be supplied by others.
2. Mount luminaire yoke to tenon with hardware (supplied by others).
3. Secure tightly.

**Shipping Package Contents:**

4041 Bracket (1)  
Hardware Kit: Supplied by others

**Material:** Steel  
**Finish:** Powder Paint  
**Weight:** 7 lbs