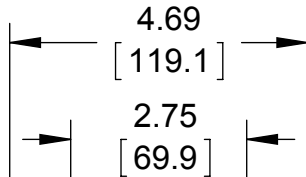


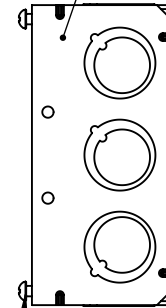
B (SPACER)

(PIGTAIL)

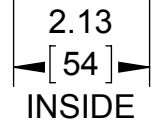
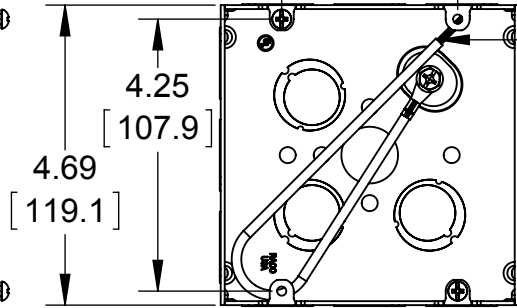
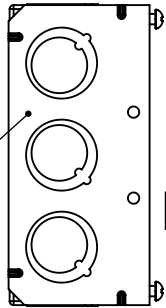
WIRE: #12 AWG STRANDED, 10-1/2" LONG, GREEN INSULATED, U.L. LISTED, 600 VOLT MAX;
EXTRA-GRIP RING TERMINAL, 16/12 AWG BRASS;
#10-32 X 3/8" GROUND SCREW W/ COMBO HEX WASHER HEAD (SLOTTED, #2 PHILLIPS AND ROBERTSON)



E (SIDE)

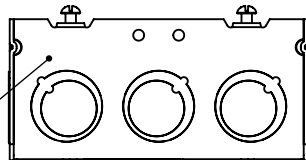


8-32 X 1/2" PHILIPS / SLOT DRIVE (FASTENER)



C (SIDE)

D (SPACER)



LIST OF PARTS

DESCRIPTION	MATERIAL	FINISH
SPACER	STEEL	GALVANIZED
SIDE	STEEL	GALVANIZED
FASTENERS	STEEL	GALVANIZED
PIGTAIL	INSULATED STRANDED COPPER	N/A

257SM CUS

SYMBOL	REVISION DESCRIPTION	APP	DATE
	INITIAL RELEASE	J.R.	06/22/2015

257SM

DIMENSION SHEET FOR CAT. NO.

THE DESIGN AND DIMENSIONS OF THE PRODUCT SHOWN ON THIS DRAWING ARE SUBJECT TO CHANGE WITHOUT NOTICE

TITLE:
4-11/16" SQUARE WELDED BOX 2-1/8" DEEP WITH RAISED GROUND AND STRANDED PIGTAIL

- NOTES:
- ALL DIMENSIONS ARE IN INCHES AND [MILLIMETERS]
 - BOX VOLUME: 42 IN³ [688.2 CM³]
 - ACCEPTS ALL 4-11/16" COVERS, 707RAC & 709 PARTITIONS, ALL SOLD SEPARATELY
 - UL LISTED

KNOCKOUTS		
TRADE SIZE	LOCATION	QTY.
1/2"	A	1
(1/2"-3/4") TKO®	A	3
(1/2"-3/4") TKO®	B,C,D,E	3

TOLERANCE UNLESS OTHERWISE SPECIFIED

.XX DECIMAL ±.015
.XXX DECIMAL ±.005
ANGLE ±2°

RACO

South Bend, Indiana

DRAWN BY:	J.R.	SCALE: 1:3
APP. BY:	N.S.	
DATE:	06/22/2015	

SIZE:

A