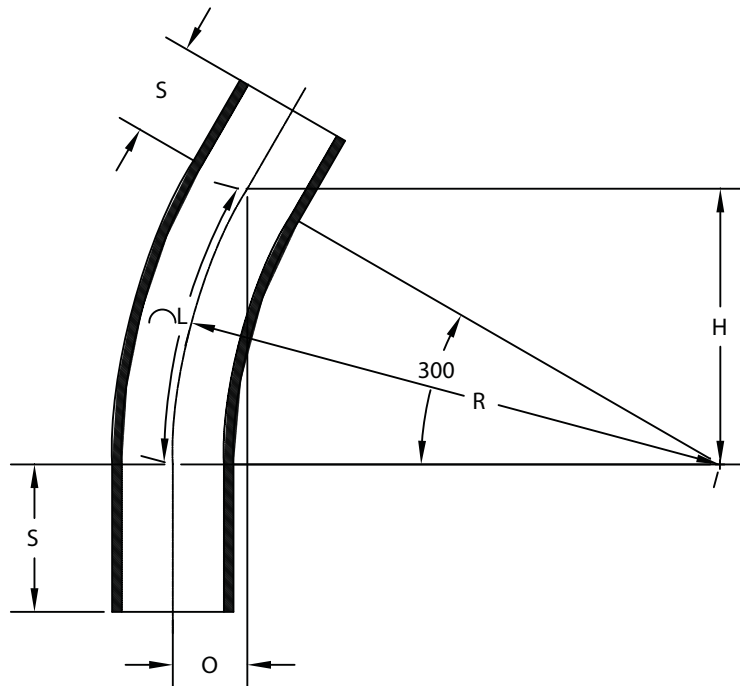


PART NUMBER	SIZE	"R"	"O"	"H"	"S" MIN	"B" MIN	"L"
5133755	½"	4"	½"	2"	1 ½"	N/A	2 ⅛"
5133744	¾"	4 ½"	⅝"	2 ¼"	1 ½"	N/A	2 ⅜"
5133745	1"	5 ¾"	¾"	2 ⅞"	1 ⅞"	N/A	3"
5133746	1 ¼"	7 ¼"	1"	3 ⅝"	2"	N/A	3 ⅓"
5133747	1 ½"	8 ¼"	1 ⅙"	4 ⅛"	2"	N/A	4 ⅝"
5133748	2"	9 ½"	1 ¼"	4 ¾"	2"	N/A	5"
5133749	2 ½"	10 ½"	1 ⅞"	5 ¼"	3"	N/A	5 ½"
5133750	3"	13	1 ¾"	6 ½"	3 ⅛"	N/A	6 ⅓"
5133751	3 ½"	15	2"	7 ⅞"	3 ¼"	N/A	7 ⅞"
5133775	4"	16	2 ⅙"	8"	3 ⅜"	N/A	8 ⅜"
5133753	5"	24	3 ⅜"	12"	3 ⅝"	N/A	12 ⅞"
5133754	6"	30	4"	15"	3 ¾"	N/A	15 ⅙"



ETL LISTED  
 CONFORMS TO UL651  
 ETL CONTROL #3107144  
 CONFORMS TO NEMA TC3  
 SEE NEC ARTICLE 352 FOR USE  
 MATERIAL IS RIGID PVC  
 BEND TOLERANCE IS ±2°



3107144  
 Rigid PVC Conduit  
 MAX 90° C Wire

**CANTEX**  
 INC

Fort Worth, TEXAS

30° Elbows Plain End  
 Schedule 40 Standard Radius Elbows

Drawn By: CD Branch

Date: 10/15/07

Ref.