

Project		Catalog #		Type	
Prepared by		Notes		Date	



HALO

HLB4 4" Slim Canless LED Downlight

Its 1/2"-thin design allows the HLB to be installed under obstructions that are hidden above the ceiling. Canless installation means the fixture mounts directly to the ceiling – no housing required. The 5-color selectability, lumen selectability, and flicker-free 5% dimming allow for easy lighting customization.

Typical Applications Residential

Interactive Menu

- Order Information [page 2](#)
- Product Specifications [page 3](#)
- Energy Data [page 3](#)
- Photometric Data [page 3](#)
- Product Warranty



Refer to ENERGY STAR® Certified Products List.
 Can be used to comply with California Title 24 High Efficacy requirements.¹
 Certified to California Appliance Efficiency Database under JAB.¹



Top Product Features

- Round 4" slim canless downlight suitable for installation in IC (insulation contact) or non-IC applications
- Canless springs hold fixture to ceiling – no housing required
- **Lens & Trim:** Slim die-cast aluminum trim with prismatic lens
- **Color Temperature (CCT):** 5-color Field-SeleCCTable (2700K, 3000K, 3500K, 4000K, 5000K); 90+ CRI
- **Brightness (Lumens):** Lumen Select switch – 700/850/1000 Lumens (nominal)
- **Dimming:** Dims to 5% (phase cut LE/TE); 120V input
- AIR-TITE, wet location-listed, and ENERGY STAR®
- 50,000 hrs of maintenance-free operation in damp or wet locations
- 5-year warranty

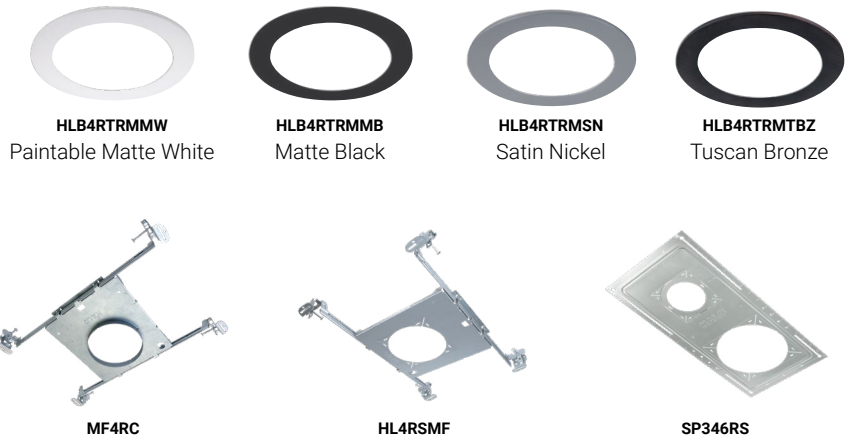
1. T24 and RoHS are self-tested by Cooper Lighting Solutions. Not a third party certification.

Order Information

Catalog Number	Module	Lumens (nominal)	CRI/CCT	Driver	Finish	Packaging
HLB4LSFS5	4-inch Round Slim Canless LED Downlight	700/850/1000 selectable lumens	90+ CRI, 5-color Field-SeleCCTable™ CCT: 2700/3000/3500/4000/5000K	5% Phase Cut LE/TE Dimming, 120V 60Hz	Matte White	Recyclable 4-color plastic-free packaging
HLB4LSFS5-C	4-inch Round Slim Canless LED Downlight	700/850/1000 selectable lumens	90+ CRI, 5-color Field-SeleCCTable™ CCT: 2700/3000/3500/4000/5000K	5% Phase Cut LE/TE Dimming, 120V 60Hz	Matte White	Canadian Version Recyclable 4-color plastic-free packaging

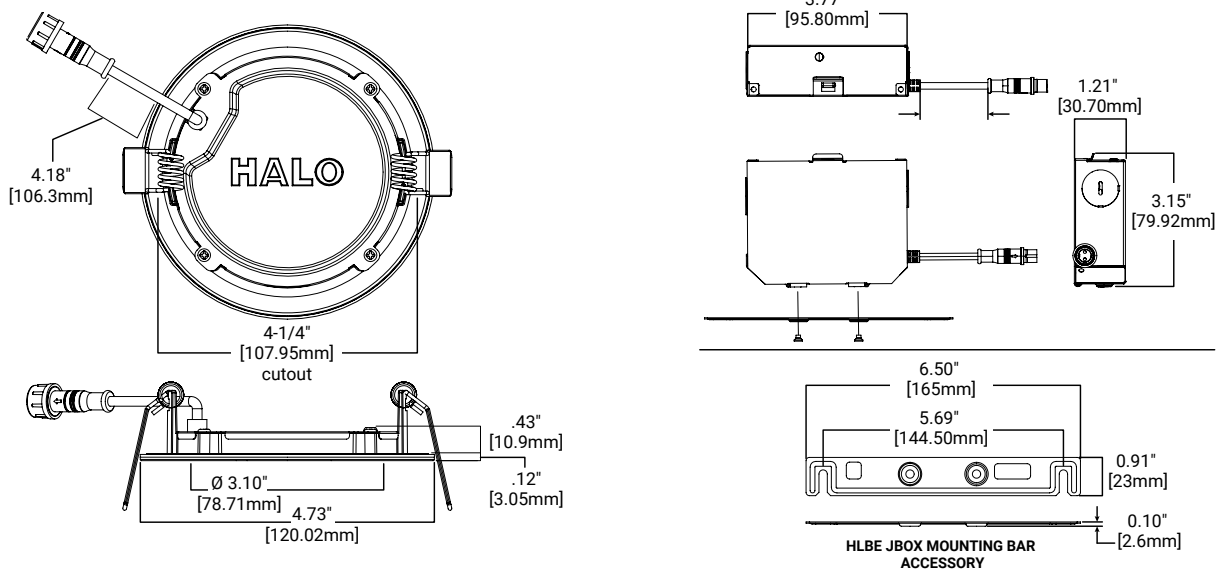
Accessories (sold separately)

Accessories
Decorative Overlays HLB4RTRMMW = 4" Round Decorative Overlay, Paintable Matte White HLB4RTRMMB = 4" Round Decorative Overlay, Matte Black HLB4RTRMSN = 4" Round Decorative Overlay, Satin Nickel HLB4RTRMTBZ = 4" Round Decorative Overlay, Tuscan Bronze
New Construction Mounting Frames² MF4RC = 4" Round New Construction Mounting Frame with ½" Drywall Collar HL4RSMF = 4" Round-to-Square New Construction Mounting Frame
New Construction Smash Plate² SP346RS = 3" x 4" / 6" New Construction Smash Plate (4" & 6" openings convert round-to-square)
Extension Cables HLB06FSEC = 6 ft. Extension Cable HLB12FSEC = 12 ft. Extension Cable HLB20FSEC = 20 ft. Extension Cable



2. New Construction Mounting Frames / Smash Plates reserve ceiling positions and holds canless junction boxes during rough-in wiring phase.

Dimensional and Mounting Details



Product Specifications

Selectable System

- Use the 5-color selector switch to choose between: 2700K, 3000K, 3500K, 4000K, and 5000K
- Use Lumen Select switch to choose the brightness level (Low-medium-high)

Module – Trim

- Module construction includes LED array, heat sink, reflector, prismatic lens, and die-cast aluminum trim ring
- Heat sink designed to conduct heat away from the LED array, keeping the junction temperatures below specified maximums, even when installed in insulated ceiling environments

LED Array

- Mid power LED array provides a uniform source with high efficiency and no pixilation
- 90 CRI minimum, R9 greater than 50
- Color accuracy at 3 SDCM at the end points and 4SDCM in the middle, provide excellent color quality and uniformity

Optical Assembly

- Precision acrylic light guide organizes source flux into wide distribution with 1.4 spacing criteria, useful for general area illumination

Driver

- Integral 120V 60 Hz constant current driver provides noise free operation
- Continuous, flicker-free phase cut (leading-edge/trailing-edge - LE/TE) dimming from 100% to 5% output with compatible dimmers
- See this fixture's Dimming Guide for compatible dimmers. www.cooperlighting.com

Retention

- No additional housing or junction box required (Not for installation in recessed cans)
- The included remote driver / junction box may be used in direct contact with insulation
- Installer must cut hole and install fixture into aperture with the clips compressed
- When released, the spring clips will rest on the back side of the ceiling material holding the fixture in place
- For new construction applications, use HALO Canless Mounting Frames or Smash Plates prior to drywall installation

Gasket

- Closed cell gaskets achieve restrictive airflow requirements without additional caulking

Compliance

- UL Certified US and Canada Type IC suitable for direct contact with air permeable insulation
- Not recommended for use in direct contact with spray foam insulation, reference NEMA LSD57-2013
- Wet location listed and IP44 ingress protection
- Airtight per ASTM-E283-04
- Suitable for use in clothes closets when installed in accordance with the NEC 410.16 spacing requirements
- EMI/RFI emissions per FCC 47CFR Part 15 consumer limits
- Contains no mercury or lead and RoHS compliant ¹
- Photometric testing in accordance with IES LM-79-08
- Lumen maintenance projections in accordance with IES LM-80-08 and TM-21-11
- Can be used for State of California Title 24 high efficacy luminaire compliance. Complies with Title 24 JA8-2022-E. ¹
- Can be used International Energy Conservation Code (IECC) high efficiency luminaire compliance.
- ENERGY STAR[®] certified, reference "Certified Light Fixtures" database

Warranty

- Five year limited warranty, consult website for details. www.cooperlighting.com/warranty

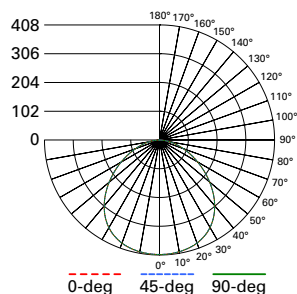
¹. T24 and RoHS are self-tested by Cooper Lighting Solutions. Not a third party certification.

Energy Data

	HLB4LSFS5
Lumens	1000
Input Voltage	120V
Input Current	0.09A
Input Power	10.65W
Inrush(A)	2.13A @ 33 micro seconds
THD	<20%
PF	>0.9
T Ambient	-30 to +40 °C
Sound Rating	< 22dBA @1feet
Efficacy(LPW)	96.88

HLB4LSFS5 (Equivalent to 60W Incandescent)				
CCT	Watts	Lumens	LPW	CRI
2700K	11.7	1100	93.8	93
3000K	11.6	1125	97.0	93
3500K	11.7	1145	97.6	93
4000K	11.7	1155	98.6	93
5000K	11.7	1175	100.9	93

Photometric Data



HLB4LSFS5-1000LM-3000K

Spacing criterion:
(0-180) 1.3 | (90-270) 1.3 | (Diagonal) 1.38
Beam Angle: 108°
Field Angle: 160°
Lumens: 1125
Input Watts: 11.6 W
Efficacy: 97 LPW
UGR: 21
Test Report: P938657

Zonal Lumen	Lumens	% Lumens
0-30	325	28.9
0-40	535	47.5
0-60	917	81.5
0-90	1125	100

CCT: Range of 2700K - 5000K
warm ← → cool

TM-30-15	Rf = 93
	Rg = 102
CRI/CIE	Ra = 97.1
	R9 = 87.4

