

HALO[®]

RL-DM / RA-DM

LED Direct Mount Collection

HALO™ SeleCCTable Family



RL-DM / RA-DM SeleCCTable Series



RL4069S1EWHDM
4" LED Retrofit Baffle-Trim,
Direct Mount, 600 lumen



RL6069S1EWHDM
6" LED Retrofit Baffle-Trim,
Direct Mount, 600 lumen



RA4069S1EWHDMR
4" LED Adjustable Gimbal,
Direct Mount, 600 lumen



RA6069S1EWHDMR
6" LED Adjustable Gimbal,
Direct Mount, 600 lumen

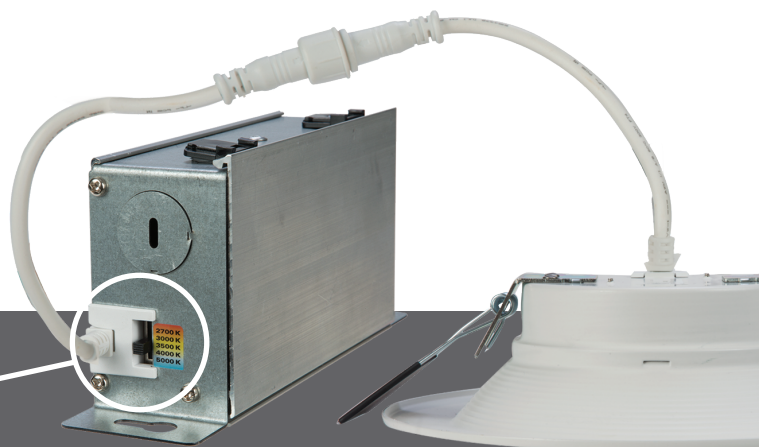
The SeleCCTable technology puts flexibility at your fingertips. By using the switch located on the driver junction box, the user can choose from a range of five color temperatures 2700K - 5000K.



The RL downlight and RA adjustable direct mount LED modules come with a remote driver / junction box ideal for new construction and renovation work.

Simplified installation in drywall or suspended ceilings eliminates recessed cans saving time and money.

Distribution patterns work well in low to medium ceiling heights, applications are virtually universal including living and dining areas, bedrooms, closets, hallways, bathrooms, kitchens, basements, soffits, entryways and porches.



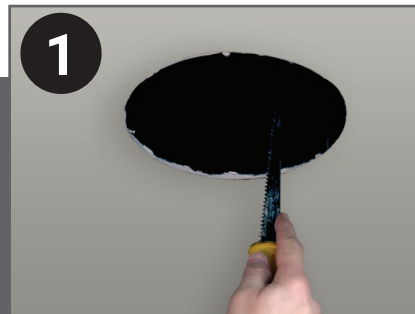
2700K • 3000K • 3500K
4000K • 5000K



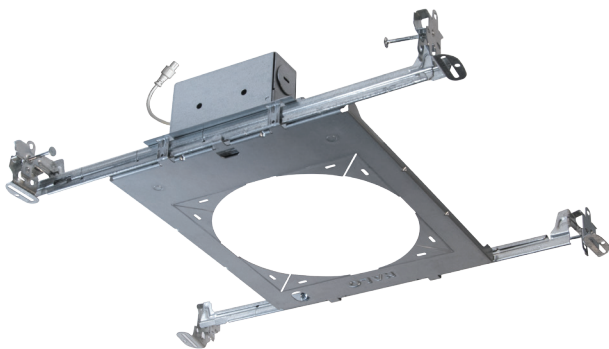
RL/RA SeleCCTable Direct Mount Series

The RL-DM and RA-DM install into a standard hole saw size cutout and is retained securely in place with springs.

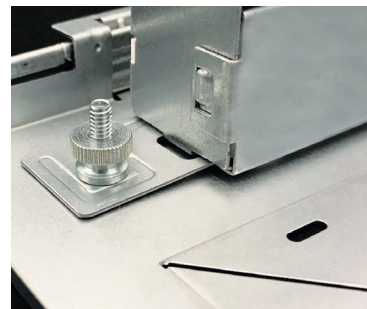
The driver junction box installs through a cutout and can be positioned remotely from the fixture fitting. The keyhole slots facilitate attachment to the building structure.



New Construction Mounting Frame



The new construction mounting frame locates the fixture fitting during electrical rough-in. HALO's patented Got Nail!® bar hangers are pre-installed supporting the mounting frame along rails.



HL4RSMF - 4" round and square mounting frame

HL6RSMF - 6" round and square mounting frame

During electrical rough-in, the driver / junction box attaches to the mounting frame with captive fasteners meeting code requirements for attachment to the building structure.

See page 14 for more details.

RL4 SeleCCTable Direct Mount Series



- 600 Series: up to 621 lumens¹
- Use to replace 60W PAR16, 50W PAR20 or 40W R20 lamp
- 2700K, 3000K, 3500K, 4000K, 5000K CCT² all in one
- 90 CRI
- 600 Series: 8.7W, 120V
- L70 @ 70,000 hrs
- HALO matte white finish
- Requires no housing or junction box
- Aluminum jbox IC rated
- Aluminum jbox includes (2) 1/2" conduit pry-out & (2) Slide-N-Side
- Can be installed in 1/2" to 1-1/4" thick ceilings
- Dimmable to 5% with select dimmers
- Damp and wet location listed (shower rated)
- Rated for IC, ICAT and may be used in Non-IC housings
- AIR-TITE™ certified per ASTM-E283
- Diffusing, regressed lens
- Five-year limited warranty

1. Lumens per selected CCT
2. CCT - Correlated Color Temperature

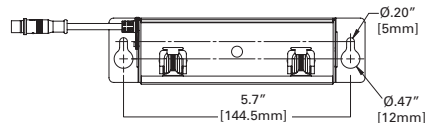
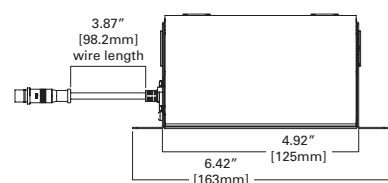
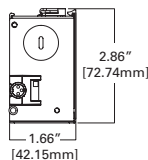
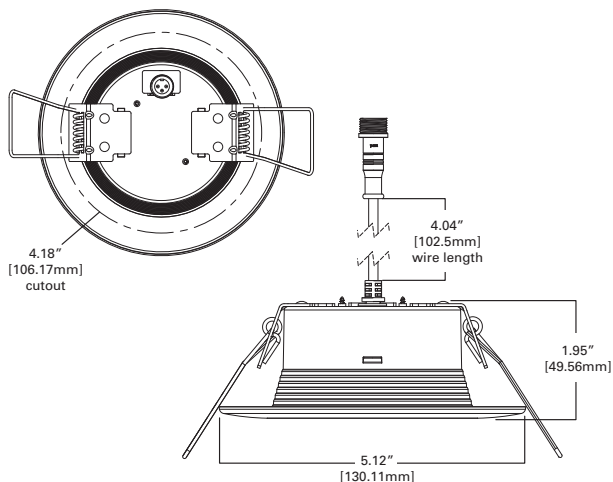
Ordering Information

SAMPLE NUMBER: RL4069S1EWHDM

Models	Lumens	CRI / CCT
RL4 = 4-Inch all-purpose retrofit LED module	06 =600 lumen (nominal)	9S =90 CRI minimum, white tuning, selectable 2700, 3000, 3500, 4000 or 5000K CCT
Driver	Finish	Mounting
1E = 120V 60Hz, LE & TE phase cut 5% dimming	WH = matte white flange	DM = Direct Mount



Refer to ENERGY STAR® Certified Products List. Can be used to comply with California Title 24 High Efficacy requirements. Certified to California Appliance Efficiency Database under JA8.



RL4-DM Energy Data	600 Series
Max. Lumens	652 @ 3000K
Input Voltage	120V
Input Frequency	50/60 Hz
Input Power	8.7W
Input Current	0.074mA (Per input power)
Power Factor	>0.90
THD	<20%
EMI/RFI	FCC Title 47 CFR, Part 15, Class B (Consumer)
Sound Rating	Class A
Minimum Starting Temp	-30°C (-22°F)

UP TO **\$394^A** SAVINGS

^A Savings are over the life of the HALO RL4-DM luminaire. Energy savings: \$306 Replacement lamp savings: \$88 Savings based on \$0.128 per kilowatt hour, average six hours use per day, 70,000 hours of lamp usage, and 60W PAR16 lamp lumen equivalent.

RL6 SeleCCTable Direct Mount Series



- 600 Series: up to 719 lumens @3000K¹
- 600 Series: use to replace 65W BR30 or 50W PAR30 lamp
- 2700K, 3000K, 3500K, 4000K, 5000K CCT² all in one
- 90 CRI
- 600 Series: 8.7W, 120V
- L70 @ 70,000 hrs
- HALO matte white finish
- Requires no housing or junction box
- Aluminum jbox IC rated
- Aluminum jbox includes (2) 1/2" conduit pry-out & (2) Slide-N-Side
- Can be installed in 1/2" to 1-1/4" thick ceilings
- Dimmable to 5% with select dimmers
- Damp and wet location listed (shower rated)
- AIR-TITE™ certified per ASTM-E283
- Diffusing, regressed lens
- Five-year limited warranty

1. Lumens per selected CCT
2. CCT - Correlated Color Temperature

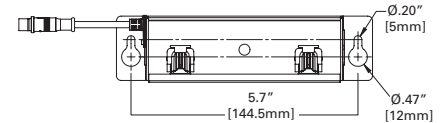
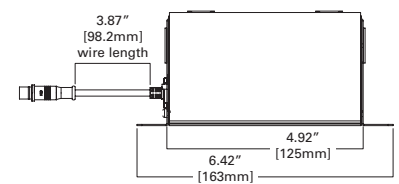
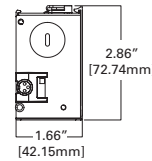
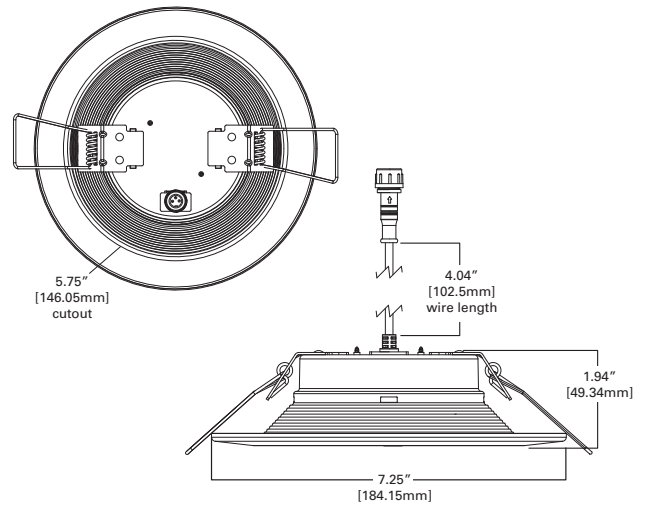
Ordering Information

SAMPLE NUMBER: RL6069S1EWHDM

Models	Lumens	CRI / CCT
RL6 = 6-Inch all-purpose retrofit LED module	06=600 lumen (nominal)	9S=90 CRI minimum, white tuning, selectable 2700, 3000, 3500, 4000 or 5000K CCT
Driver	Finish	Mounting
1E= 120V 60Hz, LE & TE phase cut 5% dimming	WH= matte white flange	DM= Direct Mount



Refer to ENERGY STAR® Certified Products List. Can be used to comply with California Title 24 High Efficacy requirements. Certified to California Appliance Efficiency Database under JA8.



RL6-DM Energy Data	600 Series
Max. Lumens	719 @ 3000K
Input Voltage	120V
Input Frequency	50/60 Hz
Input Power	8.7W
Input Current	0.074mA (Per input power)
Power Factor	>0.90
THD	<20%
EMI/RFI	FCC Title 47 CFR, Part 15, Class B (Consumer)
Sound Rating	Class A
Minimum Starting Temp	-30°C (-22°F)

UP TO **\$399^A** SAVINGS

^A Savings are over the life of the HALO RL6-DM luminaire. Energy savings: \$338. Replacement lamp savings: \$61. Savings based on \$0.128 per kilowatt hour, average six hours use per day, 70,000 hours of lamp usage, and 65W BR30 lamp lumen equivalent.

RA4 SeleCCTable Direct Mount Series



- 600 Series: up to 789 lumens¹
- Use to replace 65W BR30 lamp
- 2700K, 3000K, 3500K, 4000K, 5000K CCT² all in one
- 90 CRI
- 600 Series: 8.4W, 120V
- L70 @ 70,000 hrs
- HALO matte white finish
- Requires no housing or junction box
- Aluminum jbox IC rated
- Aluminum jbox includes (2) 1/2" conduit pry-out & (2) Slide-N-Side
- Can be installed in 3/8" to 1-1/4" thick ceilings
- Dimmable to 5% with 120V dimmers
- Damp and wet location listed (shower rated)
- Rated for IC, ICAT and may be used in Non-IC housings
- AIR-TITE™ certified per ASTM-E283
- Diffusing, regressed lens
- Five-year limited warranty

1. Lumens per selected CCT
2. CCT - Correlated Color Temperature

Ordering Information

SAMPLE NUMBER: RA4069S1EWHDMR

Models	Lumens	CRI / CCT	
RA4 = 4-Inch all-purpose LED Adjustable Gimbal	06 =600 lumen (nominal)	9S =90 CRI minimum, white tuning, selectable 2700, 3000, 3500, 4000 or 5000K CCT	
Driver	Finish	Mounting	Packaging
1E = 120V 60Hz, LE & TE phase cut 5% dimming	WH = matte white flange	DM = Direct Mount	R = Recyclable 4-color unit carton suitable for point of purchase merchandising display



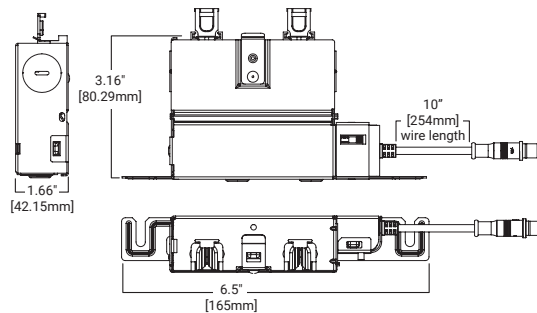
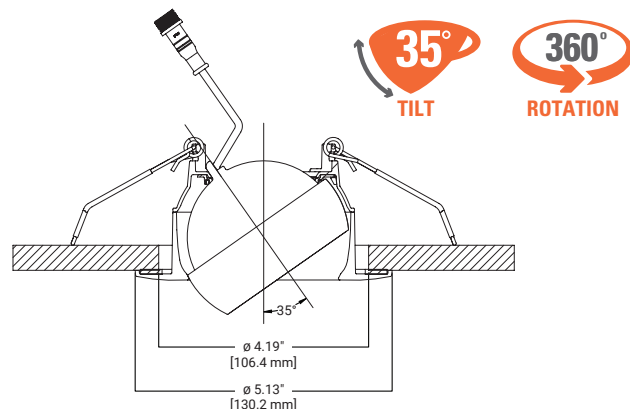
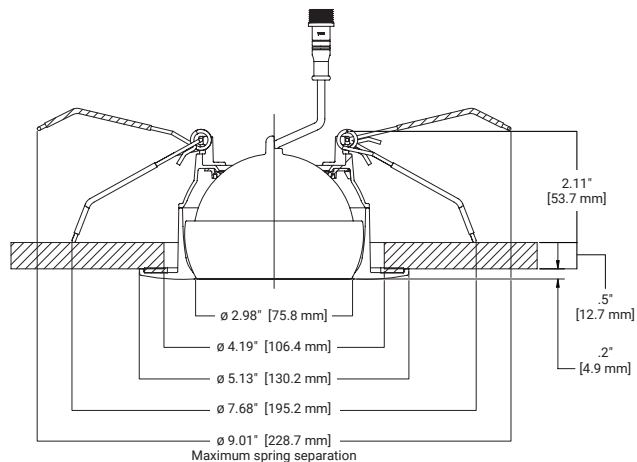
Refer to ENERGY STAR® Certified Products List. Can be used to comply with California Title 24 High Efficacy requirements. Certified to California Appliance Efficiency Database under JA8.

airTITE



UP TO **\$424^A** SAVINGS

^A Savings are over the life of the HALO RA4-DM luminaire. Energy savings: \$319
Replacement lamp savings: \$105
Savings based on \$0.128 per kilowatt hour, average six hours use per day, 70,000 hours of lamp usage, and 65W BR30 lamp lumen equivalent.



RL4-DM Energy Data	600 Series
Max. Lumens	789 @ 3000K
Input Voltage	120V
Input Frequency	50/60 Hz
Input Power	8.7W
Input Current	0.074mA (Per input power)
Power Factor	>0.90
THD	<20%
EMI/RFI	FCC Title 47 CFR, Part 15, Class B (Consumer)
Sound Rating	Class A
Minimum Starting Temp	-30°C (-22°F)

RA6 SeleCCTable Direct Mount Series



- 600 Series: up to 778 lumens¹
- Use to replace 65W BR30 lamp
- 2700K, 3000K, 3500K, 4000K, 5000K CCT² all in one
- 90 CRI
- 600 Series: 8.5W, 120V
- L70 @ 70,000 hrs
- HALO matte white finish
- Requires no housing or junction box
- Aluminum jbox IC rated
- Aluminum jbox includes (2) 1/2" conduit pry-out & (2) Slide-N-Side
- Can be installed in 3/8" to 1-1/4" thick ceilings
- Dimmable to 5% with 120V dimmers
- Damp and wet location listed (shower rated)
- Rated for IC, ICAT and may be used in Non-IC housings
- AIR-TITE™ certified per ASTM-E283
- Diffusing, regressed lens
- Five-year limited warranty

1. Lumens per selected CCT
2. CCT - Correlated Color Temperature

Ordering Information

SAMPLE NUMBER: RA6069S1EWHDMR

Models	Lumens	CRI / CCT	
RA6 = 6-Inch all-purpose LED Adjustable Gimbal	06=600 lumen (nominal)	9S=90 CRI minimum, white tuning, selectable 2700, 3000, 3500, 4000 or 5000K CCT	
Driver	Finish	Mounting	Packaging
1E= 120V 60Hz, LE & TE phase cut 5% dimming	WH= matte white flange	DM= Direct Mount	R= Recyclable 4-color unit carton suitable for point of purchase merchandising display

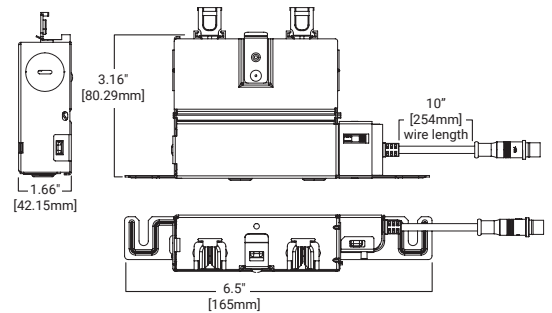
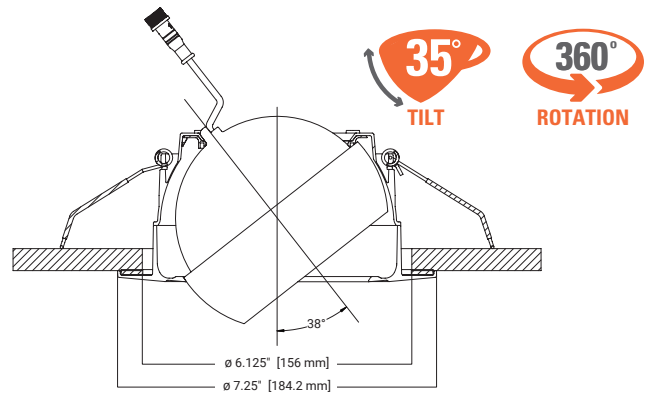
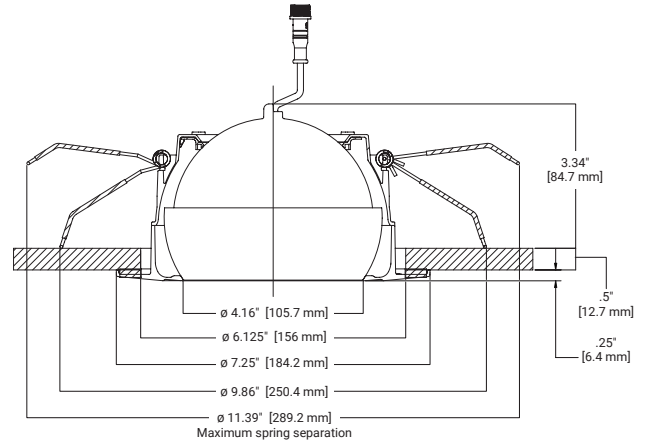


Refer to ENERGY STAR® Certified Products List. Can be used to comply with California Title 24 High Efficacy requirements. Certified to California Appliance Efficiency Database under JA8.



UP TO \$424^A SAVINGS

^A Savings are over the life of the HALO RA6-DM luminaire. Energy savings: \$319
Replacement lamp savings: \$105
Savings based on \$0.128 per kilowatt hour, average six hours use per day, 70,000 hours of lamp usage, and 65W BR30 lamp lumen equivalent.



RA6-DM Energy Data	600 Series
Max. Lumens	778 @ 3000K
Input Voltage	120V
Input Frequency	50/60 Hz
Input Power	8.5 W
Input Current	71.8 mA (Per input power)
Power Factor	>0.90
THD	<20%
EMI/RFI	FCC Title 47 CFR, Part 15, Class B (Consumer)
Sound Rating	Class A
Minimum Starting Temp	-30°C (-22°F)

Extension cables



Dedicated driver / junction box

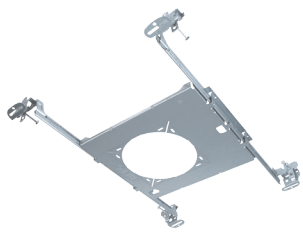
- HLB06EC - 6 ft. extension cable
- HLB12EC - 12 ft. extension cable
- HLB20EC - 20 ft. extension cable



SeleCCTable driver / junction box

- HLB06FSEC - 6 ft. extension cable
- HLB12FSEC - 12 ft. extension cable
- HLB20FSEC - 20 ft. extension cable

Mounting Frames

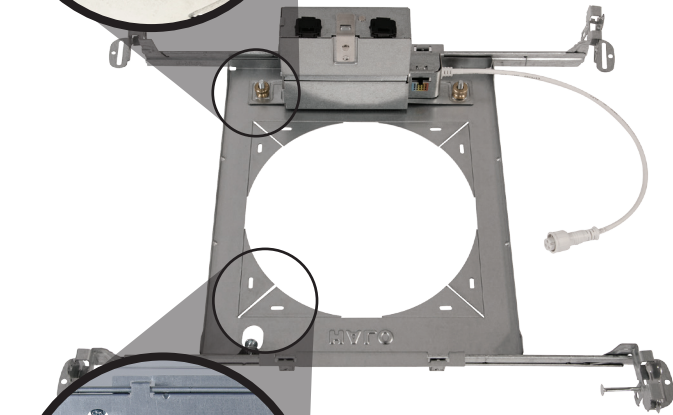
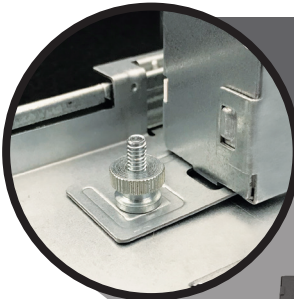


HL4RSMF - 4" round and square mounting frame



HL6RSMF - 6" round and square mounting frame

During electrical rough-in, the HLB driver / junction box attaches to the mounting frame with captive fasteners meeting code requirements for attachment to the building structure.



Rounded corners break away to allow installation of square fixtures.

Cooper Lighting Solutions dimmers offer versatile options to set the mood and reduce energy consumption. These compatible LED dimmers are ideal for both residential and light commercial applications and are compatible with decorator (screw-less) style devices and wallplates. Refer to www.cooperlighting.com for additional information.



Decorator
WBSD-DEC-*



Slide
WBSD-SLD-*



Toggle
WBSD-TOG-*



Smart
WBSD-SMT-*

HALOHOME



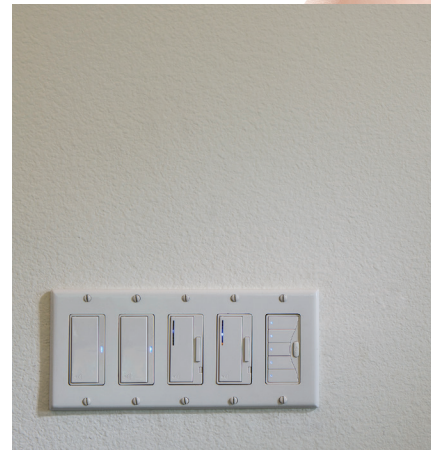
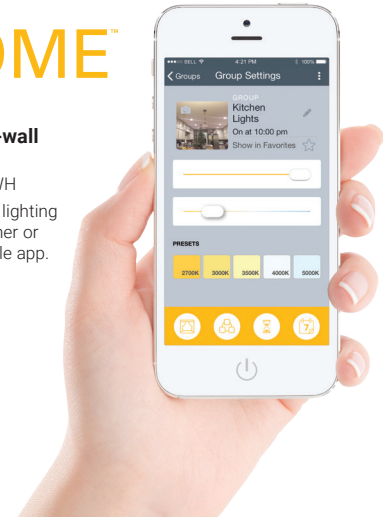
HALO Home In-wall Smart Dimmer

HIWMA1BLE40AWH

Controls standard lighting fixtures with dimmer or HALO Home mobile app.

Features include:

- ON/OFF
- Dim
- Group
- Scene
- Schedule



Product and Photometric Data

RL4069S1EWHDM

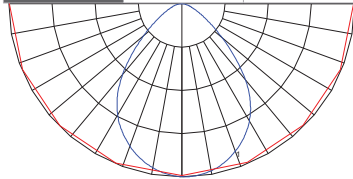
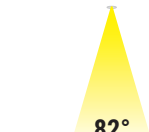
RL4 SeleCCTable Direct Mount

	CCT	Lumens	Power (W)	LPW
RL4-DM	2700K	629.3	8.7	72.3
	3000K	652.0	8.7	74.9
	3500K	670.8	8.7	77.1
	4000K	685.1	8.7	78.7
	5000K	692.7	8.7	79.6

RL4069S1EWHDM-3000K		
Luminaire lumens	652	
Input watts	8.7	
LER (LPW)	74.9	
Spacing Criteria	0-180	1.18
	90-270	1.18
	Diagonal	1.26
Beam angle (degrees)	93.1	
Field angle (degrees)	141.1	
Zonal lumen	Lumens	% Lumens
0-30	230.2	35.3
0-40	365.1	56
0-60	579.0	88.8
0-90	652.0	100

Color Metric Summary-3000K	
TM-30-15	Rf = 90.8
	Rg = 99.7
CRI/CIE	Ra = 93.7
	R9 = 69.3

CCT - Range of 2700K- 5000K



RL6069S1EWHDM

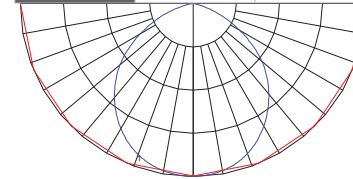
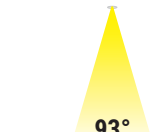
RL6 SeleCCTable Direct Mount

	CCT	Lumens	Power (W)	LPW
RL6-DM	2700K	709.6	8.4	84.5
	3000K	735.2	8.4	87.5
	3500K	756.4	8.4	90.0
	4000K	772.5	8.4	92.0
	5000K	781.1	8.4	93.0

RL6069S1EWHDM-3000K		
Luminaire lumens	735.2	
Input watts	8.4	
LER (LPW)	87.5	
Spacing Criteria	0-180	1.16
	90-270	1.16
	Diagonal	1.22
Beam angle (degrees)	89.1	
Field angle (degrees)	140.1	
Zonal lumen	Lumens	% Lumens
0-30	269.1	36.6
0-40	423.5	57.6
0-60	655.1	89.1
0-90	735.2	100

Color Metric Summary-3000K	
TM-30-15	Rf = 90.8
	Rg = 99.7
CRI/CIE	Ra = 93.7
	R9 = 69.3

CCT - Range of 2700K- 5000K



Product and Photometric Data

RA4069S1EWHMDMR

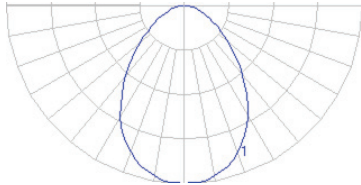
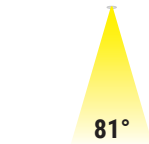
RA4 SeleCCTable Direct Mount

	CCT	Lumens	Power (W)	LPW
RA4-DM	2700K	779	8.2	94.5
	3000K	789	8.3	95.4
	3500K	800	8.3	96.3
	4000K	809	8.3	97
	5000K	815	8.4	97

RA4069S1EWHMDMR-3000K		
Luminaire lumens	789	
Input watts	8.3	
LER (LPW)	95.4	
Spacing Criteria	0-180	1.1
	90-270	1.1
	Diagonal	1.16
Beam angle (degrees)	81.1	
Field angle (degrees)	140.6	
Zonal lumen	Lumens	% Lumens
0-30	303.8	38.5
0-40	463.9	58.8
0-60	692.4	87.8
0-90	788.4	100

Color Metric Summary-3000K	
TM-30-15	Rf = 91
	Rg = 98
CRI/CIE	Ra = 92
	R9 = 54

CCT - Range of 2700K- 5000K



RA6069S1EWHMDMR

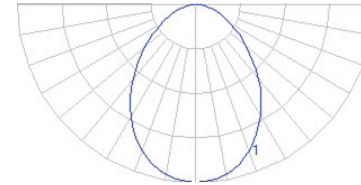
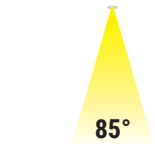
RA6 SeleCCTable Direct Mount

	CCT	Lumens	Power (W)	LPW
RA6-DM	2700K	768	8.3	92.9
	3000K	778	8.3	93.6
	3500K	789	8.3	94.6
	4000K	799	8.4	95.5
	5000K	809	8.4	96.1

RA6069S1EWHMDMR-3000K		
Luminaire lumens	778	
Input watts	8.3	
LER (LPW)	93.6	
Spacing Criteria	0-180	1.12
	90-270	1.12
	Diagonal	1.18
Beam angle (degrees)	85	
Field angle (degrees)	146	
Zonal lumen	Lumens	% Lumens
0-30	279.2	35.9
0-40	432.4	55.6
0-60	669.6	86.1
0-90	777.7	100

Color Metric Summary-3000K	
TM-30-15	Rf = 91
	Rg = 97
CRI/CIE	Ra = 92
	R9 = 56

CCT - Range of 2700K- 5000K



Cooper Lighting Solutions

1121 Highway 74 South
Peachtree City, GA 30269
P: 770-486-4800
www.cooperlighting.com

Canada Sales

5925 McLaughlin Road
Mississauga, Ontario L5R 1B8
P: 905-501-3000
F: 905-501-3172

Our Lighting Product Lines

Ametrix
AtLite
Corelite
Ephesus
Fail-Safe
HALO
HALO Commercial
Invue
io
IRiS
Lumark
Lumière
McGraw-Edison
Metalux
MWS
Neo-Ray
Portfolio
RSA
Shaper
Streetworks
Sure-Lites

Our Controls Product Lines

Fifth Light Technology
Greengate
iLight (International Only)
iLumin
Zero 88

Connected Lighting Systems

Distributed Low-Voltage Power
HALO Home
iLumin Plus
LumaWatt Pro
WaveLinx

© 2020 Cooper Lighting Solutions
All Rights Reserved
Printed in USA
Publication No. BR518078EN
February 2020

Products, specifications and
compliances are subject to
change without notice.

Cooper Lighting Solutions is a
registered trademark.
All other trademarks are property
of their respective owners.

