



# MULTI-FUNCTION CLIP, 1/4" ROD, #12-#8 WIRE, 1/8"-3/8" FLANGE, 1/4" HOLE

## CATALOG NUMBER

**4Z34**



## CERTIFICATIONS



## FEATURES

Provides attachment of conduit and boxes

Supports #10-24 and 1/4-20 threaded bridle rings

## PRODUCT ATTRIBUTES

Material: Spring Steel

Finish: nVent CADDY Armour

Rod Size: 1/4"

Wire Size: #12 - #8

Flange Thickness: 1/8" - 3/8"

Hole Size: 1/4"

Screw Included: No

Static Load 1: 25 lb

## ADDITIONAL PRODUCT DETAILS

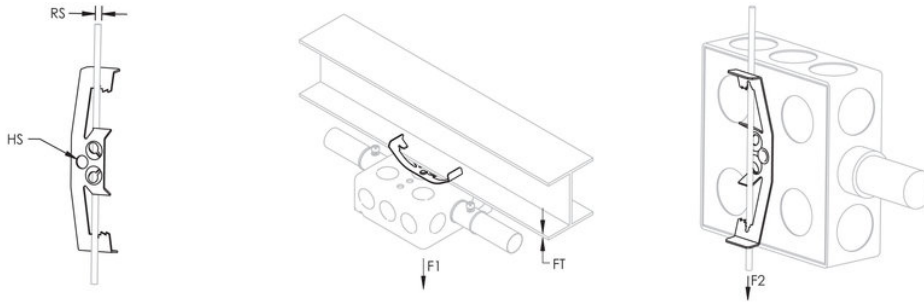
---

NEC® 300.11 requires dedicated drop wire/rod and EC311.

6Z parts installed on 3/8" (M10) smooth rod in the F2 direction has a Static Load Rating of 15 lb (67 N).

## DIAGRAMS

---



## WARNING

---

nVent products shall be installed and used only as indicated in nVent's product instruction sheets and training materials. Instruction sheets are available at [www.nvent.com](http://www.nvent.com) and from your nVent customer service representative. Improper installation, misuse, misapplication or other failure to completely follow nVent's instructions and warnings may cause product malfunction, property damage, serious bodily injury and death and/or void your warranty.

### North America

+1.800.753.9221

Option 1 – Customer Care

Option 2 – Technical Support

### Europe

Netherlands:

+31 800-0200135

France:

+33 800 901 793

### Europe

Germany:

800 1890272

Other Countries:

+31 13 5835404

### APAC

Shanghai:

+ 86 21 2412 1618/19

Sydney:

+61 2 9751 8500



Our powerful portfolio of brands:

**nVent.com** CADDY ERICO HOFFMAN RAYCHEM SCHROFF TRACER