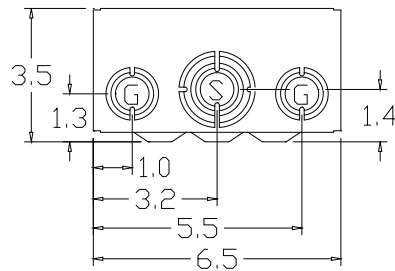
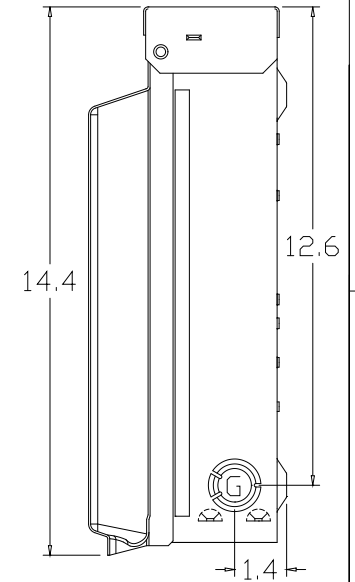
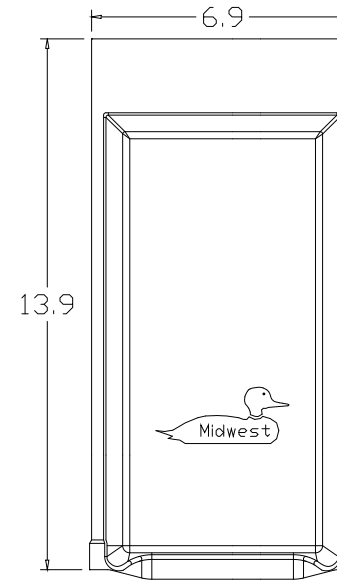
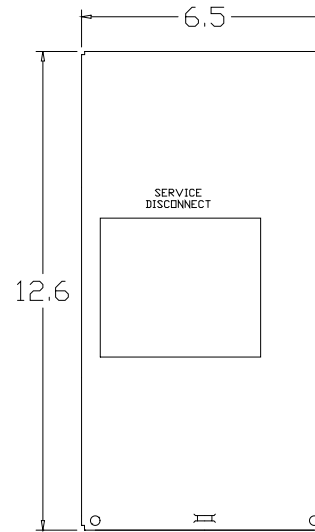
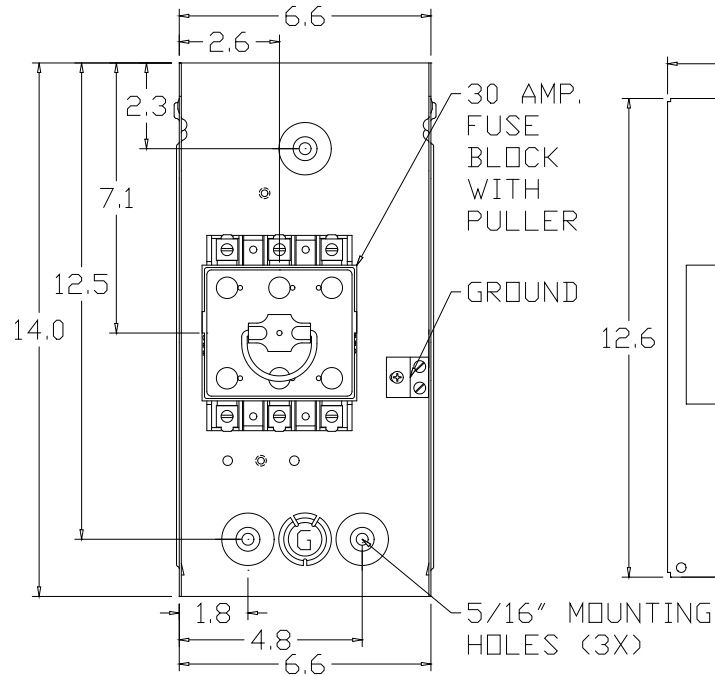
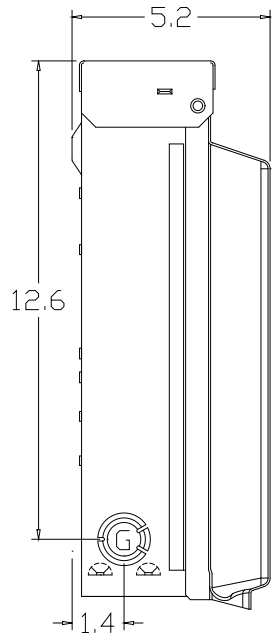


WIRE RANGE TABLE D:

CONNECTOR	COPPER		ALUMINUM	
	SOLID	STRAND	SOLID	STRAND
LINE	14-8	14-2	12-8	12-2
LOAD	14-8	14-2	12-8	12-2
NEUTRAL	-----	-----	-----	-----
EQUIP. GRND.	12-8	12-2	12-8	12-2



KNOCKOUT TABLE:

G = 1/2", 3/4", 1" KO
S = 1/2", 3/4", 1", 1-1/4", 1-1/2" KO

SH2

MIDWEST ELECTRIC PRODUCTS, INC.
 Markato, MN



Dr. By: JDE
 Ck. By:
 CR: R0746662

* = Critical Unless Otherwise Specified
 Tolerances On:
 3 Pl. Decimals ± .010
 2 Pl. Decimals ± .030
 Fractions ± 1/32
 Angles ± 1/2°
 Holes ± .003
 Dimensions Are In Inches

To Quality AutoCad Generated
 SCALE 1:1
 SIZE A
 SHEET 1 OF 1

TITLE: U0353F
 OUTLINE DRAWING
 DWG NO: 265A6213

Rev.1 CR: R0746662 JDE 1-10-08