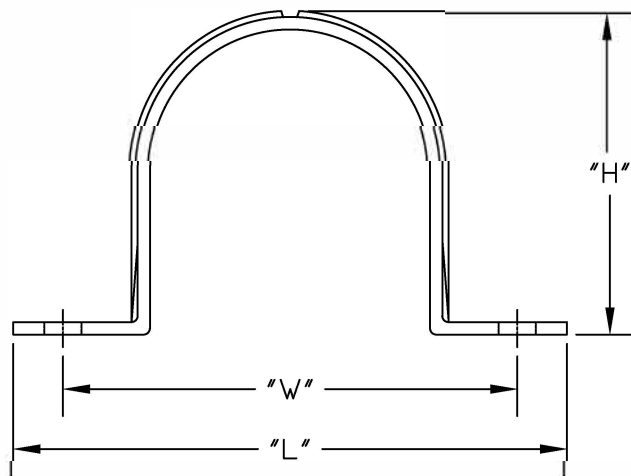
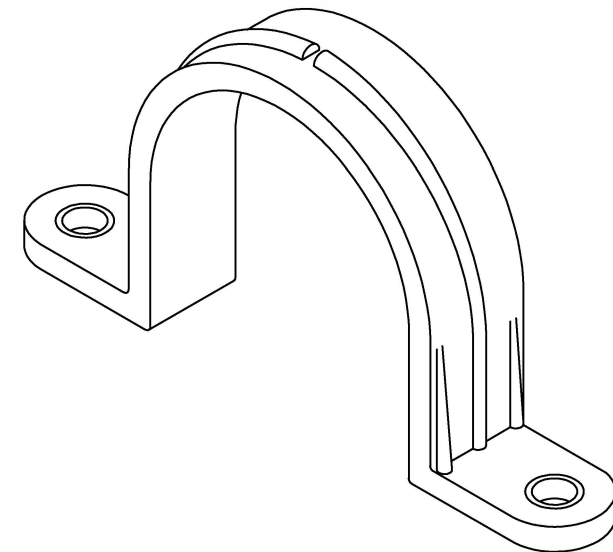


PART NUMBER	TRADE SIZE	"L"	"W"	"H"
5133736	1/2	2 $\frac{3}{16}$ "	1 $\frac{1}{16}$ "	1"
5133737	3/4	2 $\frac{1}{2}$ "	2"	1 $\frac{1}{4}$ "
5133738	1	2 $\frac{13}{16}$ "	2 $\frac{1}{4}$ "	1 $\frac{1}{2}$ "
5133733	1 1/4	3 $\frac{2}{16}$ "	2 $\frac{1}{2}$ "	1 $\frac{13}{16}$ "
5133734	1 1/2	3 $\frac{3}{8}$ "	2 $\frac{1}{16}$ "	2 $\frac{1}{8}$ "
5133735	2	4"	3 $\frac{5}{16}$ "	2 $\frac{9}{16}$ "
5133739	2 1/2	5 $\frac{1}{2}$ "	4 $\frac{9}{16}$ "	3"
5133740	3	6"	5 $\frac{1}{8}$ "	3 $\frac{9}{16}$ "
5133353	4	7"	6"	4 $\frac{5}{8}$ "



UL Listed UL 2239  
 UL File # E181596  
 UL Category Code QFMZ3  
 CSA Listed  
 Material is Rigid PVC



**CANTEX**  
 INC.  
 Fort Worth, TEXAS

**Two-Hole Pipe Straps  
 Schedule 40 & 80 Special Fittings**

Drawn By: D. Gwinn

Date: 1/7/19

Ref. 5133736