

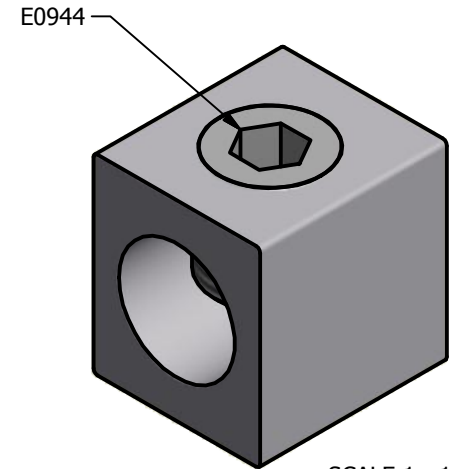
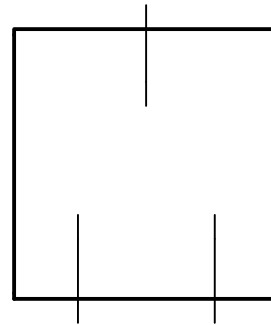
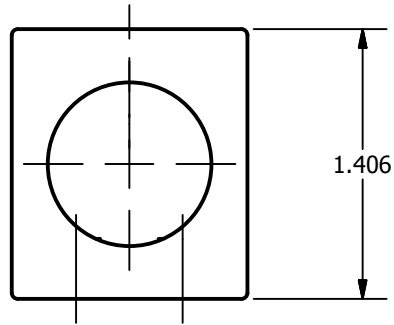
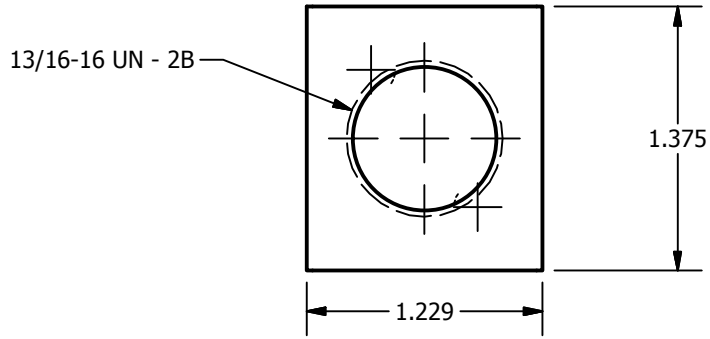


| | | | |
|---------------------------|--|-------------------------|--|
| SCREW: E0944 | MATERIAL: ALUMINUM | REV: R |  800-776-9775 www.ilsco.com |
| CAT. NO.: CA-7 | PLATING: EL-TIN | DRAWN BY: CLH SCALE:1:1 | |
| INFORMATION SHEET: FORM 1 | MARKING: ILSCO, D1807, CA-7, 500kcmil-0, AL-7CU,  | DATE:6/10/2008 SIZE: A | |
| | | | DWG. NO. D1807-22 |
| | | | SHEET: 1 OF 1 |



SCALE 1 : 1

