

## NEW & IMPROVED INTERMEDIATE SPACERS



- IMPROVED STRENGTH & RIGIDITY
- IMPROVED CRUSH TEST RATING
- IMPROVED STABILITY

### WE LISTENED!

Evolving customer needs, technological improvements, and customer input are a few factors that led CANTEX to the decision to improve our intermediate spacers. At CANTEX, we value what our customers tell us, so we continually make changes when the end-users think we can improve our PVC electrical products. After hearing from customers who thought certain design features of our PVC spacers could be improved, CANTEX began working to improve the design of our intermediate spacers for strength and durability while maintaining all the existing functionality and cost advantages.

#### Product Improvements to Intermediate Spacer:

- Strengthened webbing and cross beam to improve strength and rigidity
- Significantly improved the crush test rating

#### Product Description:

Intermediate Spacers are used to create concrete encased banks that are strong and stable with consistent duct separation.

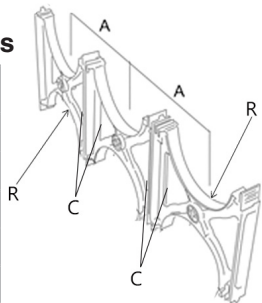
- Vertical and horizontal interlocking for fast secure field assembly
- Intermediate spacers can be used on top of duct bank to prevent top tier from floating during encased burial
- For use with all EB & DB and schedule 40 & 80 conduit when encased in cement
- Only base and intermediate components are needed - no banding necessary
- Material is Polystyrene
- Made in USA

### Spacer Separation Requirements:

To determine the trade size needed for your spacers, look at the size of the pipe and the size of the separation needed. For example, the 2 x 1-1/2 in. Base Spacer can handle up to 2" diameter conduit with 1-1/2" spacing between conduit runs.

#### NEC 70 Spacer Requirements

Conduit Trade Size	Maximum Spacing Between Supports
1/2 to 1	3 ft.
1-1/4 to 2	5 ft.
2-1/2 to 3	6 ft.
3-1/2 to 5	7 ft.
6	8 ft.



Nominal Size	1" Separation			1-1/2" Separation			2" Separation			3" Separation		
	R	A	C	R	A	C	R	A	C	R	A	C
2				1.2	4.0	1.5	1.2	4.5	2.0	1.2	5.5	3.0
3				1.8	5.1	1.5	1.8	5.6	2.0	1.8	6.6	3.0
4	2.3	5.6	1.0	2.3	6.1	1.5	2.3	6.6	2.0	2.3	7.6	3.0
5				2.9	7.3	1.5	2.9	7.9	2.0	2.9	8.9	3.0
6				3.3	8.2	1.5	3.4	8.7	2.0	3.4	9.8	3.0



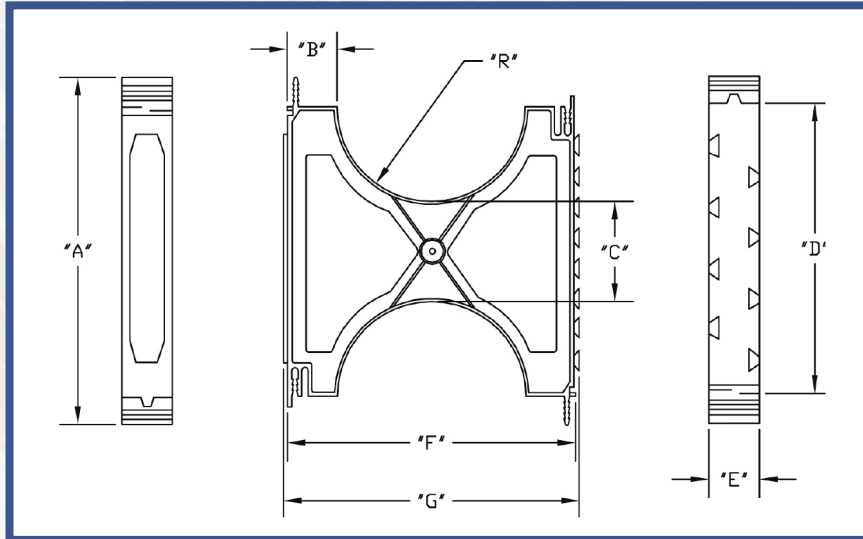
CANTEX INC.  
301 Commerce Street, Suite 2700  
Fort Worth, Texas 76102-4127



www.cantexinc.com  
info@cantexinc.com



817.215.7000



## Intermediate Spacer Sizes

Part Number	Size	Carton Qty.	"A"	"B"	"C"	"D"	"E"	"F"	"G"	"R"
5336000	2 x 1-1/2	200	5.188	.750	1.375	3.875	1.000	4.000	4.250	1.250
5336018	2 x 2	170	5.688	1.000	1.875	4.375	1.000	4.500	4.750	1.250
5336032	2 x 3	110	6.688	1.500	2.875	5.375	1.000	5.500	5.750	1.250
5336016	3 x 1-1/2	140	6.313	.750	1.375	5.000	1.000	5.125	5.375	1.813
5336020	3 x 2	110	6.750	1.000	1.875	5.438	1.000	5.625	5.875	1.813
5336031	3 x 3	75	7.813	1.500	2.875	6.500	1.000	6.625	6.875	1.813
5336017	4 x 1	105	7.000	.500	1.125	5.750	1.000	5.625	5.875	2.313
5336021	4 x 1-1/2	100	7.313	.750	1.375	6.000	1.000	6.125	6.375	2.313
5336019	4 x 2	80	7.813	1.000	1.875	6.500	1.000	6.625	6.875	2.313
5336024	4 x 3	55	8.813	1.500	2.875	7.500	1.000	7.625	7.875	2.313
5336028	5 x 1-1/2	75	8.375	.750	1.375	7.000	1.000	7.188	7.438	2.875
5336029	5 x 2	55	8.875	1.000	1.875	7.500	1.000	7.688	7.938	2.875
5336030	5 x 3	45	9.875	1.500	2.875	8.500	1.000	8.688	8.938	2.875
5336038	6 x 1-1/2	50	9.438	.750	1.500	8.125	1.000	8.250	8.500	3.375
5336050	6 x 2	45	9.938	1.000	2.000	8.625	1.000	8.750	9.000	3.375
5336041	6 x 3	40	10.938	1.500	3.000	9.625	1.000	9.750	10.000	3.375

Dimensions are nominal



CANTEX INC.  
301 Commerce Street, Suite 2700  
Fort Worth, Texas 76102-4127



www.cantexinc.com  
info@cantexinc.com



817.215.7000