



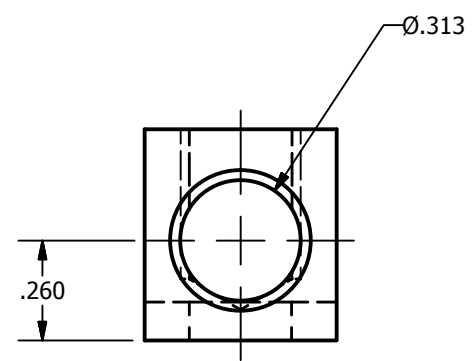
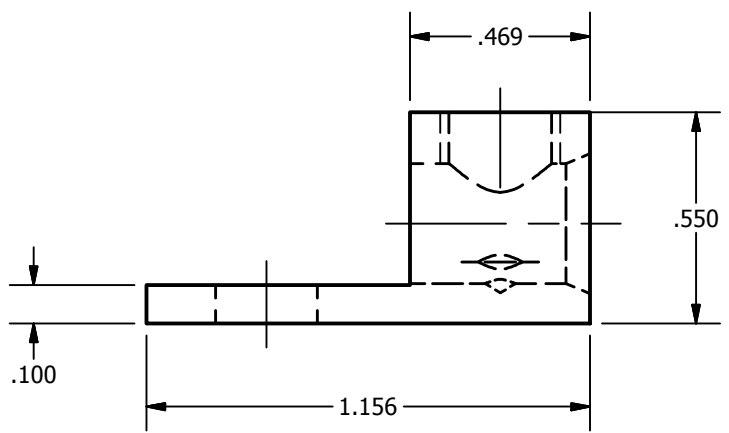
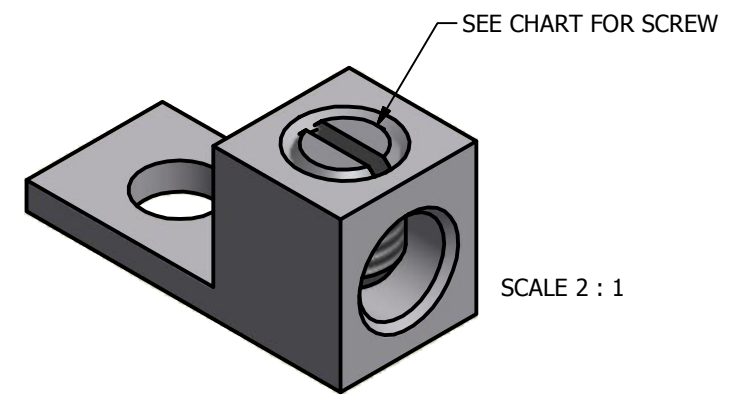
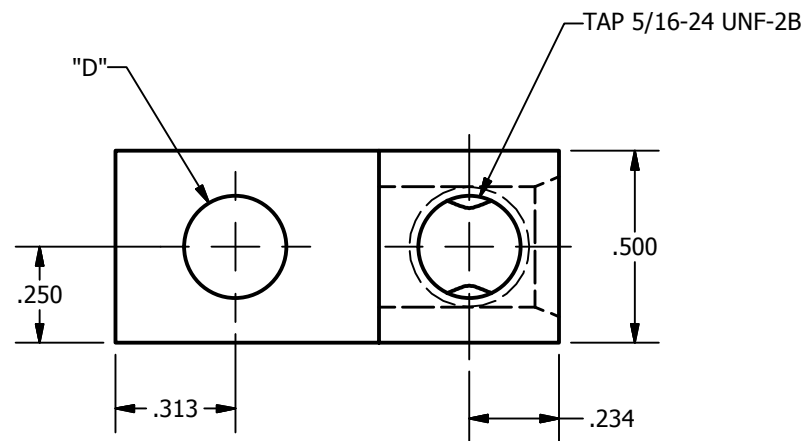
SCREW: SEE CHART
 CAT. NO.: TA-2, TA-2-B2
 INFORMATION SHEET: FORM 1

MATERIAL: ALUMINUM
 PLATING: EL-TIN
 MARKING: ILSCO, TA-2, 2-14, AL9CU,  

REV: AJ
 DRAWN BY: NN
 DATE: 12/7/2007

SCALE: 2:1
 SIZE: A

ILSCO
connections matter
 800-776-9775 www.ilsco.com
 DWG. NO. **D0980**
 SHEET: 1 OF 1



SCREW	"D"
E0309C92Z	.266
E0309C92Z	.312
E0309C01H	.266
E0910C00T	.266
E0309C92Z	.266