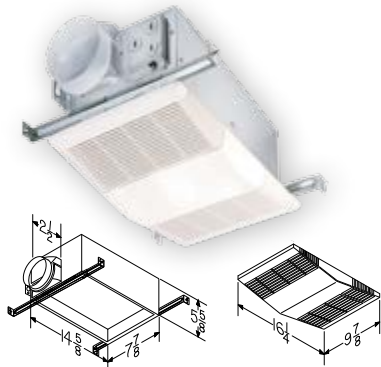


Model 668RP



- White polymeric grille
- Rectangular fan light
- Fits in 2" x 6" ceiling construction
- 24" adjustable hanger bars
- Mounting brackets that adjust for ceiling thickness up to 3/4"

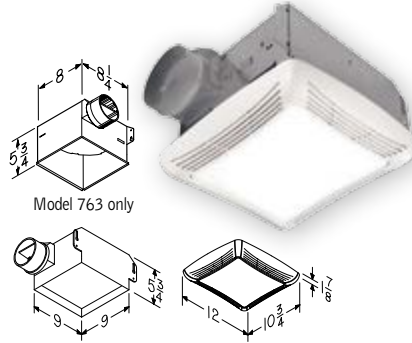
Models 8663RP & 8664RP



- Round design eliminates squaring with bathroom walls
- Fits 2" x 6" ceiling construction
- 8663RP features bright 100W incandescent lighting with 7W night light for security and safety (bulbs not included)
- 8664RP features bright 100W incandescent lighting (bulb not included)
- 24" adjustable hanger bars

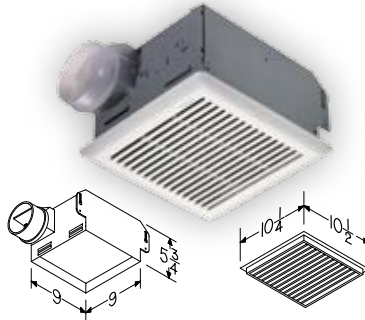
Model	CFM	Sones	Lighting	Finish
668RP	70	4.0	100W	White
8663RP	100	3.5	100/7W	White
8664RP	100	3.5	100W	White

Models 763, 769RL and 769RFT

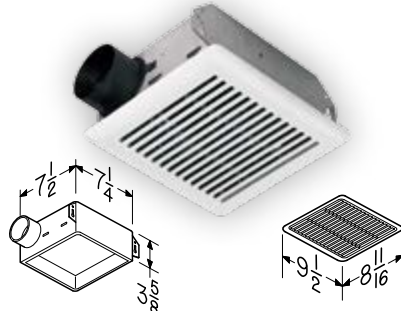


- White polymeric grille
- Fits in 2" x 6" ceiling construction
- 769RFT uses 13W fluorescent bulb (not included)
- All models available in Project Packs

Model 671R & 672R



Model 695 & 696N

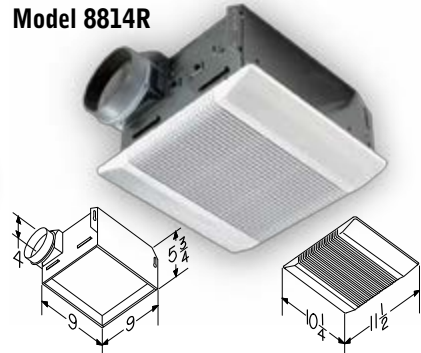


- 50 to 110 CFM centrifugal blower wheel
- Double-strength steel mounting flanges with keyhole slots for fast installation
- Metal grille kits for 695, 696N and Service Part Number S97011308
- UL Listed for use over tub or shower when installed in a GFCI protected branch circuit
- All models available in Project Packs

Model	CFM	Sones	Notes
763	50	2.5	100W White
769RL	70	3.0	100W White
769RFT	70	3.0	13W fluor. White
671R	90	3.0	Wall/Ceiling mount
672R	110	4.0	Wall/Ceiling mount
695	70	6.0	Wall/Ceiling mount
696N	50	4.0	Wall/Ceiling mount

Available in single packs or project packs.

Model 8814R



- 110 CFM
- Centrifugal blower wheel and 4-pole motor deliver high exhaust capacity at low sound levels
- Mounting flanges with keyhole slots for fast installation
- White polymeric grille with torsion spring mounting

Model 8832WH



- White polymeric grille with torsion spring mounting
- Fits 2"x4" construction

Model 8832SA



- Silver anodized aluminum grille
- Fits 2"x4" construction

Model	CFM	Sones	Notes
8814R	110	4.0	
8832WH	80	2.5	Not UL tub & shower
8832SA	80	2.5	Not UL tub & shower

690NT Bath Fan Upgrade Kit



Two motor plates, depending on your fan model

Quieter plug-in fan motor

Wrench

The NuTone bath fan upgrade kit lets you convert your old bath fan to a brand new unit in just 10 minutes. Improve performance, reduce the sound level, and upgrade the appearance of your economy fan in minutes.

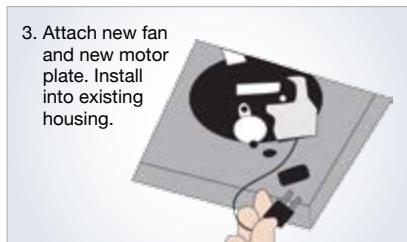
- Cut sound levels up to 50%
- Boost air movement up to 20%
- 10 minute installation
- 60 CFM, 3.0 Sones
- Modern white grille
- No special tools needed



1. Remove old grille.



2. Remove old fan assembly.



3. Attach new fan and new motor plate. Install into existing housing.

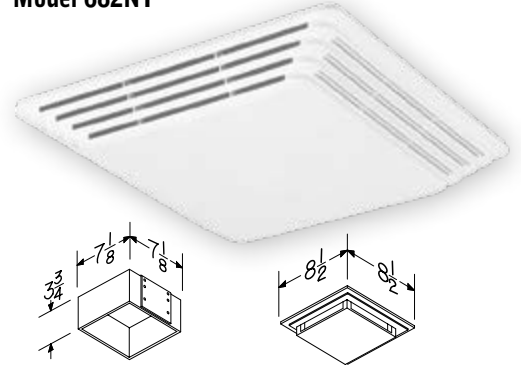


4. Install new grille.

Duct-free

This easy-to-install solution is ideal where ventilation is needed but ducting is not possible. Use in half baths or rooms where humidity isn't a concern.

Model 682NT



- Patented, fast snap-in metal housing installation
- Fan circulates air past replaceable activated charcoal filter (Service Part Number S97009563)
- Fits 2"x4" ceiling or wall construction

Model	CFM	Sones	Lighting	Notes
682NT	—	—	—	Duct-free Circulation

NuTone 690NT Upgrade Kit replaces the models below:

If your grille looks like this:	The fan is very likely one of these models:	Housing dimensions:
	NuTone 693, 695, 696N	7½" x 7¼" or 8" x 7¼"
	Broan 670, 671, 688, 689 Nautilus N671, N688	7½" x 7¼" Not compatible with 8" x 8¼"

Measure your existing fan housing to ensure proper fit.

For use only with these bath fan models.*		Measurement (inches)	Yes	No
	NuTone 693, 695, 696N	7-1/2 x 7-1/4	•	
		8 x 7-1/4	•	
	Broan 670, 671, 688, 689	7-1/2 x 7-1/4	•	
		8 x 8-1/4		•
	Nautilus N671, N688	7-1/2 x 7-1/4	•	
		8 x 8-1/4		•

*No other usage has been tested or authorized by Broan-NuTone LLC.

Ventilation Fans—Product Specifications

Fans

	Page	CFM	Sones HVI certified	Baths up to () Sq Ft	ENERGY STAR®	Duct Size"	Housing Dimensions			Grille Dimensions		Grille finish	Amps
							L"	W"	H"	L"	W"		
110RDB*	28	110	4	105	No	4	8	8 1/4	5 1/4	10 1/4	10 1/4	White Acrylic Metal	0.6
50NT	26	50	1.5	45	Yes	4	8 1/4	8	5 1/4	10 1/2	10 1/4	White Polymeric	0.2
671R	27	90	3	85	No	4	9	8 1/2	5 1/4	10 1/2	10 1/4	White Polymeric	0.5
672R	27	110	4	105	No	4	9	9	5 1/4	10 1/2	10 1/4	White Polymeric	0.7
682NT	29	—	—	—	No	—	7 1/2	7 1/4	3 3/4	8 1/2	8 1/2	White Polymeric	1
690NT	29	60	3	55	No	3	See page 29 for compatible models			9 1/2	8 1/16	White Polymeric	1.2
695	27	70	6	65	No	3	7 1/2	7 1/4	3 3/4	9 1/2	8 1/16	White Polymeric	1.2
696N	27	50	4	45	No	3	7 1/2	7 1/4	3 3/4	9 1/2	8 1/16	White Polymeric	0.75
80NT	26	80	2	75	Yes	4	8 1/4	8	5 1/4	10 1/2	10 1/4	White Polymeric	0.3
80RDB*	28	80	2.5	75	No	4	8	8 1/4	5 1/4	10 1/4	10 1/4	White Acrylic Metal	0.6
8814R	27	110	4	105	No	4	9	9	5 1/4	11 1/2	10 1/4	White Polymeric	0.85
8832SA	27	80	2.5	75	No	3	8 1/2	9	4	10 1/2	8 3/4	Silver Anod. Alum	0.75
8832WH	27	80	2.5	75	No	3		8 1/2		10 1/4	9 3/8	White Polymeric	0.7
HD50NT	28	50	1.5	45	Yes	4	8	8 1/4	5 1/4	10 1/4	10 1/4	White Acrylic Metal	0.4
HD50RDB*	28	50	1.5	45	Yes	4	8	8 1/4	5 1/4	10 1/4	10 1/4	White Acrylic Metal	0.4
HD80NT	28	80	2.5	75	No	4	8	8 1/4	5 1/4	10 1/4	10 1/4	White Acrylic Metal	0.6
HD80RDB*	28	80	2.5	75	No	4	8	8 1/4	5 1/4	10 1/4	10 1/4	White Acrylic Metal	0.6
LPN80	26	80	1.0	75	Yes	3-4	8	8 1/4	5 1/4	13	14	White Polymeric	0.3
QTREN080	20	80	0.8	75	Yes	4	11 1/8	10 1/2	7 3/8	13	14	White Polymeric	0.7
QTREN110	20	110	1.3	105	Yes	4	11 1/8	10 1/2	7 3/8	13	14	White Polymeric	0.9
QTRN050	20	50	0.4	45	No	4	11 1/8	10 1/2	7 3/8	13	14	White Polymeric	0.4
QTRN080	20	80	1	75	No	4	11 1/8	10 1/2	7 3/8	13	14	White Polymeric	0.4
QTRN110	20	110	1.5	105	No	4	11 1/8	10 1/2	7 3/8	13	14	White Polymeric	0.3
QTXEN050	20	50	<0.3	45	Yes	6	11 1/8	10 1/2	7 3/8	13	14	White Polymeric	0.3
QTXEN080	20	80	0.3	75	Yes	6	11 1/8	10 1/2	7 3/8	13	14	White Polymeric	0.4
QTXEN110	20	110	0.7	105	Yes	6	11 1/8	10 1/2	7 3/8	13	14	White Polymeric	0.3
QTXEN110S	22	110	0.7	100	Yes	6	11 1/4	10 1/2	7 3/8	12 7/8	13 3/8	White Polymeric	0.3
QTXEN150	20	150	1.4	140	Yes	6	11 1/8	10 1/2	7 3/8	13	14	White Polymeric	0.5
RN80	15	80	<0.3	—	Yes	4	11 1/8	10 1/2	7 3/8	13	14	White Polymeric	0.3
RN110	15	110	0.6	—	Yes	4	11 1/8	10 1/2	7 3/8	13	14	White Polymeric	0.9
XN50	17	50	<0.3	45	Yes	4-6	10 1/2	11 1/8	7 3/8	13	14	White Polymeric	0.1
XN80	17	80	<0.3	75	Yes	4-6	10 1/2	11 1/8	7 3/8	13	14	White Polymeric	0.1
XN110	17	110	<0.3	100	Yes	6	10 1/2	11 1/8	7 3/8	13	14	White Polymeric	0.2
XN110H	17	110	<0.3	100	Yes	6	10 1/2	11 1/8	7 3/8	13 3/8	14	White Polymeric	0.3
ZN80	17	80	<0.3	75	Yes	4-6	10 1/2	11 1/8	7 3/8	13	14	White Polymeric	0.1
ZN80M	17	80	<0.3	75	Yes	4-6	10 1/2	11 1/8	7 3/8	13 3/8	14	White Polymeric	0.1
ZN110	17	110	<0.3	100	Yes	6	10 1/2	11 1/8	7 3/8	13	14	White Polymeric	0.2
ZN110H	17	110	<0.3	100	Yes	6	10 1/2	11 1/8	7 3/8	13 3/8	14	White Polymeric	0.3
ZN110M	17	110	<0.3	100	Yes	6	10 1/2	11 1/8	7 3/8	13 3/8	14	White Polymeric	0.3

* Model RDA fan housing only sold separately for radiation dampers/fans.

Fan/Lights

	Page	CFM	Sones HVI certified	Baths up to () Sq Ft	Rooms up to () Sq Ft	Lighting Watts Main/Night Light	ENERGY STAR®	Duct Size"	Housing Dimensions			Grille Dimensions			Grille finish	Amps
									L"	W"	H"	L"	W"	D"		
668RP	27	70	4	65	85	100W	No	4	14 1/4	7 1/2	5 1/2	16 1/4	9 1/2	—	White Polymeric	2
742RBNT	34	70	3.5	65	85	2-60W	No	4	8 1/4	8	5 1/4	13 3/8 Dia	5 1/2	—	Oil-rubbed Bronze	2.2
744FLNT	32	70	1.5	65	85	16W fluor.	Yes	4	8 1/4	12 3/4	6 1/4	7 3/8 Dia	—	—	White Polymeric	1.2
744LEDNT	32	70	1.5	65	85	14W LED	Yes	4	8 1/4	12 3/4	6 1/4	7 3/8 Dia	—	—	White Polymeric	0.55
744NT	32	70	1.5	65	85	75W	No	4	8 1/4	12 3/4	6 1/4	7 3/8 Dia	—	—	White Polymeric	1.2
744SFLNT	32	70	1.5	65	85	16W fluor.	Yes	4	8 1/4	12 3/4	6 1/4	7 3/8 Dia	—	—	Matte White	0.7
763	27	50	2.5	45	60	100W	No	4	8	8 1/4	5 1/4	12	10 1/4	—	White Polymeric	1.6
769RFT	27	70	3	65	85	13W fluor.	No	4	9	9	5 1/4	12 1/4	10 3/4	—	White Polymeric	1.2
769RL	27	70	3	65	85	100W	No	4	9	9	5 1/4	12 1/4	10 3/4	—	White Polymeric	2
772RBNT	34	80	2	65	85	2-13W	Yes	4	8 1/4	8	5 1/4	13 3/8	6 1/2	—	Oil-Rubbed Bronze	0.8
773BNNT	34	80	2.5	75	75	2-13W	Yes	4	8 1/4	8	5 1/4	13 3/8	5 1/2	—	Brushed Nickel	0.8
778WHNT	26	80	2	75	85	2-13W GU24	Yes	4	8 1/4	8	5 1/4	13 3/8 Dia	—	—	White	0.5
791LEDNT	34	100	1.5	95	125	9W LED	Yes	4	8 1/2	8 1/2	5 1/2	10 1/2	10 1/2	—	White	0.5
8663RP	27	100	3.5	95	125	100W/7W	No	4	9	9	5 1/4	15 Dia	—	—	White Polymeric	1.7
8664RP	27	100	3.5	95	125	100W	No	4	9	9	5 1/4	15 Dia	—	—	White Polymeric	1.7
HD50LNT	28	50	1.5	45	—	100W	No	4	8	8 1/4	5	10 3/8	11 1/8	2	White Polymeric	1.3
HD80LNT	28	80	2.5	75	—	100W	No	4	8	8 1/4	5	10 3/8	11 1/8	2	White Polymeric	1.7
QTLEDA	33	110	0.7	100	—	2-18W GU24	Yes	6 or 4	11 1/8	10 1/2	7 3/8	13 3/4 SQ	3 1/2	—	White Polymeric	1
QTLEDB	33	110	0.7	100	—	2-18W GU24	Yes	6 or 4	11 1/8	10 1/2	7 3/8	13 3/4 SQ	3 1/2	—	White Polymeric	1
QTREN080FLT	21	80	0.8	75	—	2-18W GU24/4W	Yes	4	11 1/8	10 1/2	7 3/8	13	14	—	White Polymeric	1
QTREN110FLT	21	110	1.3	100	—	2-18W GU24/4W	Yes	4	11 1/8	10 1/2	7 3/8	13	14	—	White Polymeric	1
QTRN080L	21	80	1	75	—	100W/4W	No	4	11 1/8	10 1/2	7 3/8	13	14	—	White Polymeric	1.6
QTRN110L	21	110	1.5	100	—	100W/4W	No	4	11 1/8	10 1/2	7 3/8	13	14	—	White Polymeric	1.8
QTXEN080FLT	21	80	0.3	75	—	2-18W GU24/4W	Yes	6	11 1/8	10 1/2	7 3/8	13	14	—	White Polymeric	1
QTXEN110FLT	21	110	0.7	100	—	2-18W GU24/4W	Yes	6	11 1/8	10 1/2	7 3/8	13	14	—	White Polymeric	1