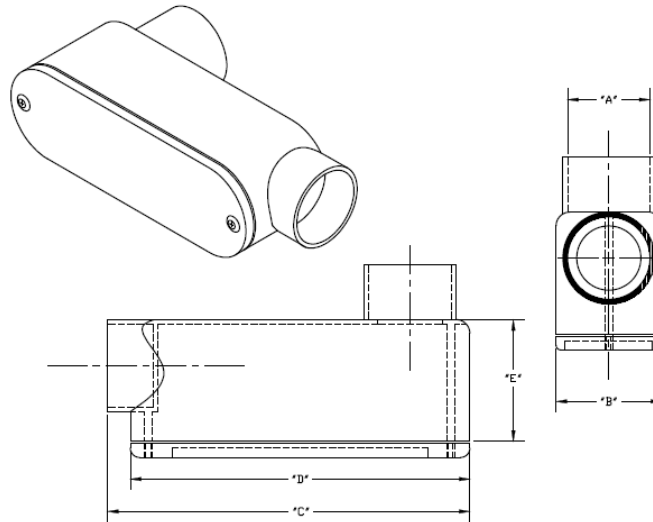


LB Conduit Bodies

PVC Electrical Conduit Fittings and Accessories



Trade Size (in)	Catalog Part No.	System Part No.	A	B	C	D	E	Volume cu. in.	3-wire Fill
1/2	LB05	59200	0.88	1.31	4.19	4.00	1.44	4.3	#6 or smaller
3/4	LB07	59201	1.06	1.50	4.94	4.63	1.63	6.5	#6 or smaller
1	LB10	59202	1.31	1.75	5.88	5.38	2.00	11.8	#6 or smaller
1 1/4	LB12	59203	1.69	2.50	7.56	7.19	2.38	25	XHHW #1
1 1/2	LB15	59204	1.88	2.63	8.56	8.00	2.75	36.5	XHHW #2 / 0
2*	LB20	59205	2.38	3.13	9.81	9.56	3.38	63.5	XHHW #4 / 0
2 1/2*	LB25	59206	2.88	4.63	15.00	12.88	4.56	198	XHHW 500 MCM
3*	LB30	59207	3.56	4.63	15.06	12.88	4.56	198	XHHW 500 MCM
3 1/2*	LB35	59208	4.00	4.63	16.19	12.88	5.50	305	XHHW 500 MCM
4*	LB40	59209	4.56	6.06	16.13	14.19	5.50	305	XHHW 500 MCM

- *Sizes 2 1/2 through 4 have straight (90 degree) edges/angles
- Dimensions are nominal (inches) and are subject to normal manufacturing tolerances
- UL listed
- UL File #E98429
- UL Category Code QCMZ
- UL Control Number 39N9
- Material is Rigid PVC
- Gasket is Neoprene
- Zinc plated steel screws
- See NEC Article 314 for use