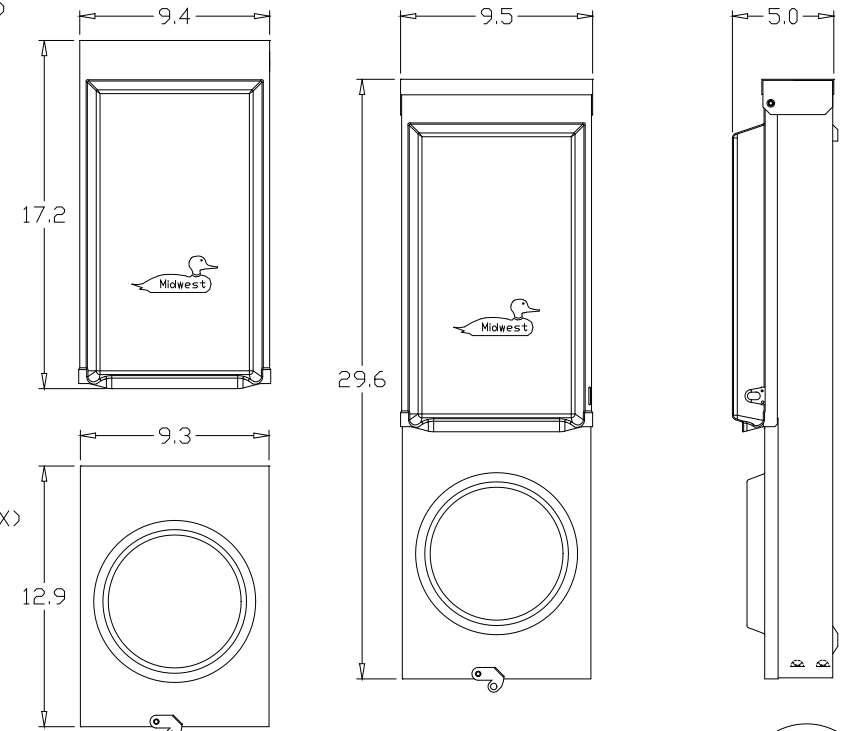
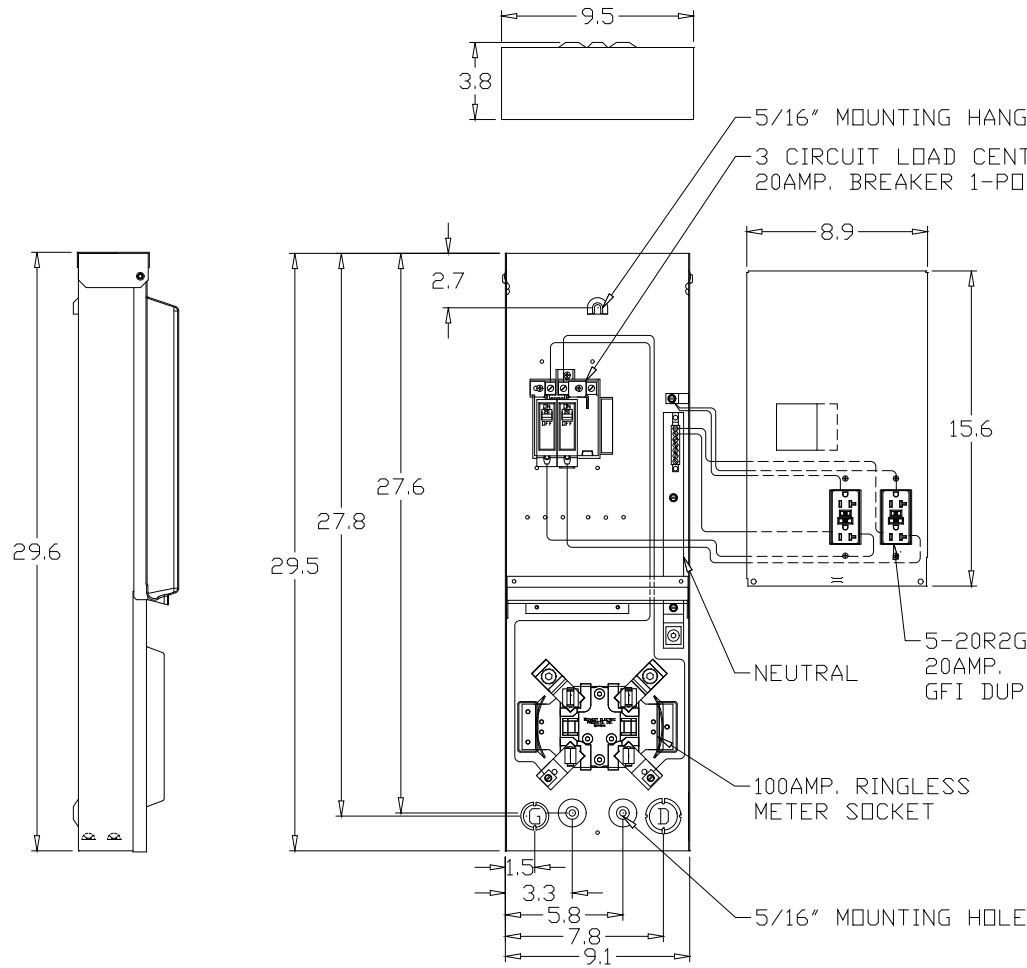


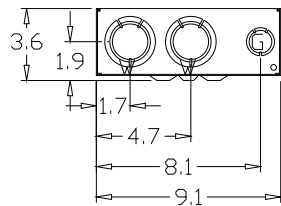
KNOCKOUT TABLE:

G= 1/2", 3/4", 1" KD
W= 1/2", 3/4", 1", 1-1/4", 1-1/2", 2" KD
D= 3/4", 1", 1-1/4"



WIRE RANGE TABLE:

CONNECTOR	COPPER		ALUMINUM	
	SOLID	STRAND	SOLID	STRAND
LINE	-----	6-1/0	-----	6-1/0
LOAD	14-10	14-10	-----	-----
NEUTRAL	-----	6-350	-----	6-350
NEUTRAL	-----	1-300	-----	1-300
EQUIP. GRND.	12-8	12-2	12-8	12-2



REVISIONS:		
REV.	CHANGED BY	DATE



Dr. By: JE	Date: 2-18-08
Ch. By:	Date:
CR: R0814112	Date: 2-18-08
Unless Otherwise Specified	* AutoCad * Generated
Tolerances In:	SCALE
3 PL. Decimals ± .010	SIZE
2 PL. Decimals ± .030	B
Angles ± 1/2°	
Holes ± .003	
Dimensions Are In	SHEET 1 OF 1

Midwest Electric Products, Inc. Mankato, MN	
TITLE: R011C010U OUTLINE	
DWG NO: 265A6227	



Rev.1 CR R0814112 JE 2-18-08