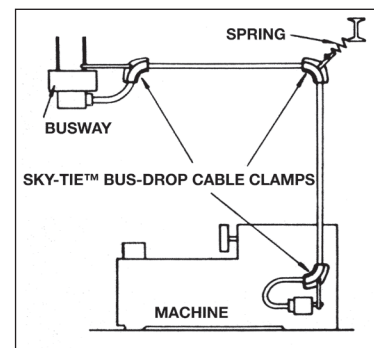


Bus-Drop Cable Clamps - Sky-Tie™

STANDARD FEATURES

- **Supports** cable up to 1-1/8" diameter. Uniform "lap" design of each clamp-half results in support along the entire quarter bend.
- **Anchors** cable for 90° angle transitions using a simple, two-piece construction of interchangeable clamp-halves.
- **Loops** excess cable for convenient handling and out-of-the-way storage, via the Sky-Tie™ SHD Duplex Converter. The SHD reduces the need to cut cable when machines are moved to new locations. The SHD converter simply fits between the two halves of the Sky-Tie™ SH cable clamps.
- **Uses:** Machine Tools, Portable Tools, Air Lines, Other heavy-cable support applications.
- **Sky-Tie™ Springs** Heavy-duty Sky-Tie™ Springs insure tautness of the cable, while absorbing vibrations and shocks. Each spring slips into the Sky-Tie™ clamp at its outside bend (or, if using the SHD Duplex, the converter's outside bend), and ties back to a structural member. Three spring models with maximum load capacities of 60, 70 and 160 pounds.



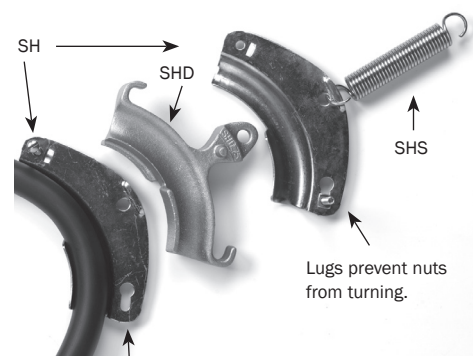
SKY-TIE SPRINGS

CAT. NUMBER	MAX. SPRING LOAD	CARTON		STD. PKG	
		QTY.	WEIGHT lbs.	QTY.	WEIGHT lbs.
SHS-50	60 lbs.	10	2.2	50	11
SHS-75	70 lbs.	10	2.7	50	14
SHS-1125	160 lbs.	10	11	10	11

SKY-TIE TWO-IN-ONE CABLE CLAMPS

CAT. NUMBER	CONDUIT SIZE (IN.)	TYPICAL MULTI-CONDUCTOR CABLE SIZE	CARTON		STD. PKG.	
			QTY.	WEIGHT lbs.	QTY.	WEIGHT lbs.
SH-50	1/2-3/4	14/4 thru 8/4	10	3.5	50	18.5
SH-75	3/4 to 1 1/8	8/4 thru 3/4 or (1) 500 MCM	10	7	50	36
SH-1125	1 1/8 to 1 1/16	Special Applications	5	10	25	50

CAT. NUMBER	CONDUIT SIZE (IN.)	TYPICAL MULTI-CONDUCTOR CABLE SIZE	CARTON		STD. PKG.	
			QTY.	WEIGHT lbs.	QTY.	WEIGHT lbs.
SHD-50	1/2-3/4	14/4 thru 3/4	10	3.25	50	17.25
SHD-75	3/4 to 1 1/2	8/4 thru 3/4 or (1) 500 MCM	10	7	50	36



Keyhole slots permit assembly on cable without removal of bolts or threading of cable through fitting.