

INCANDESCENT

all-purpose, decorative and specialty lighting ...

Westinghouse offers a wide range of incandescent lamps to meet decorative, general purpose, low voltage, specialty and rough service applications.





MICROWAVE

Energy Used (Watts)	Lamp Base	Item No.	Footnotes	Domestic Code	Volts	Master Carton/Inner Pack	Pack Type	Finish	Filament Type	Avg. Rated Hours	Light Appearance (Kelvin)	Brightness (Lumens)	Life in Years*	Est. Yearly Energy Cost**	MOL
40	Inter.	04020		40S11/IN/MW	115/125	60/10	Card	Clear	CC2V	1000	-	355	0.9	\$4.82	2.25"

A15 APPLIANCE

Energy Used (Watts)	Lamp Base	Item No.	Footnotes	Domestic Code	Volts	Master Carton/Inner Pack	Pack Type	Finish	Filament Type	Avg. Rated Hours	Light Appearance (Kelvin)	Brightness (Lumens)	Life in Years*	Est. Yearly Energy Cost**	MOL
15	Med.	03995	2	15A15 2PK	120	48/12	Box(2)	Clear	C9	2500	2700	100	2.2	\$1.81	3.38"
	Med.	03996	2	15A15/F 2PK	120	48/12	Box(2)	Frost	C9	2500	2700	90	2.2	\$1.81	3.38"
	Med.	04501	2,4	15A15/130 2PK	130	120	Box(2)	Clear	C9	2500	2700	100	2.2	\$1.81	3.38"
	Med.	04503	2,4	15A15/F/130 2PK	130	120	Box(2)	Frost	C9	2500	2700	90	2.2	\$1.81	3.38"
25	Med.	04007	1	25A15	120	72/6	Card	Clear	C9	2500	2700	175	2.2	\$3.01	3.38"
	Med.	03925		25A15 2PK	120	48/12	Box(2)	Clear	C9	2500	2700	175	2.2	\$3.01	3.38"
	Med.	04006	1	25A15/F	120	72/6	Card	Frost	C9	2500	2700	160	2.2	\$3.01	3.38"
	Med.	03929		25A15/F 2PK	120	48/12	Box(2)	Frost	C9	2500	2700	160	2.2	\$3.01	3.38"
	Med.	04507	4	25A15/130 2PK	130	120	Box(2)	Clear	C9	2500	2700	175	2.2	\$3.01	3.38"
	Med.	04508	4	25A15/F/130 2PK	130	120	Box(2)	Frost	C9	2500	2700	160	2.2	\$3.01	3.38"
40	Inter.	03936	5	40A15/IN/FAN 2CD	120	60/6	Card(2)	Clear	C9	1500	2700	350	1.3	\$4.82	3.38"
	Inter.	03938	5	40A15/SW/IN/FAN 2CD	120	60/6	Card(2)	Soft White	C9	1500	2700	325	1.3	\$4.82	3.38"
	Med.	04001	2	40A15	120	72/6	Card	Clear	C9	2500	2700	350	2.2	\$4.82	3.38"
	Med.	37673		40A15 2CD	120	60/6	Card(2)	Clear	C9	1500	2700	410	1.3	\$4.82	3.38"
	Med.	04003	2	40A15	120	60/10	Box	Clear	C9	2500	2700	350	2.2	\$4.82	3.38"
	Med.	03926	2	40A15 2PK	120	48/12	Box(2)	Clear	C9	2500	2700	350	2.2	\$4.82	3.38"
	Med.	04002	2	40A15/F	120	72/6	Card	Frost	C9	2500	2700	340	2.2	\$4.82	3.38"
	Med.	03930	2	40A15/F 2PK	120	48/12	Box(2)	Frost	C9	2500	2700	340	2.2	\$4.82	3.38"
	Med.	03457	2,6	40A15/F/EZ	120	72/6	Card	Frost	C9	2500	2700	340	2.2	\$4.82	3.38"
	Med.	04090	5	40A15/FAN	120	72/6	Card	Clear	C9	2500	2700	350	2.2	\$4.82	3.38"
	Med.	37152	5	40A15/FAN 2CD	120	60/6	Card(2)	Clear	C9	1500	2700	350	1.3	\$4.82	3.38"
	Med.	37150	5	40A15/SW/FAN 2CD	120	60/6	Card(2)	Soft White	C9	1500	2700	325	1.3	\$4.82	3.38"
	Med.	04502	4	40A15/130 2PK	130	120	Box(2)	Clear	C9	2500	2700	350	2.2	\$4.82	3.38"
	Med.	04504	2,4	40A15/F/130 2PK	130	120	Box(2)	Frost	C9	2500	2700	340	2.2	\$4.82	3.38"
60	Cand.	03941	5	60A15/CB/FAN 2CD	120	60/6	Card(2)	Clear	C9	1500	2700	570	1.3	\$7.23	3.38"
	Cand.	03943	5	60A15/SW/CB/FAN 2CD	120	60/6	Card(2)	Soft White	C9	1500	2700	550	1.3	\$7.23	3.38"
	Med.	03998	2,8	60A15/VR 2PK	120	48/12	Box(2)	Clear	C9	2500	2700	570	2.2	\$7.23	3.38"
	Med.	03999	8	60A15/F/VR 2PK	120	48/12	Box(2)	Frost	C9	2500	2700	540	2.2	\$7.23	3.38"
	Med.	03458	6,8	60A15/F/EZ/VR	120	72/6	Card	Frost	C9	2500	2700	540	2.2	\$7.23	3.38"
	Med.	04096	5,8	60A15/FAN/VR	120	72/6	Card	Clear	C9	2500	2700	570	2.2	\$7.23	3.38"
	Med.	37153	5,8	60A15/FAN/VR 2CD	120	60/6	Card(2)	Clear	C9	1500	2700	600	1.3	\$7.23	3.38"
	Med.	04010	5,8	60A15/SW/FAN/VR	120	72/6	Card	Soft White	C9	2500	2700	455	2.2	\$7.23	3.38"
	Med.	37151	5,8	60A15/SW/FAN/VR 2CD	120	60/6	Card(2)	Soft White	C9	1500	2700	550	1.3	\$7.23	3.38"
	Med.	04505	4,8	60A15/VR/130 2PK	130	120	Box(2)	Clear	C9	2500	2700	570	2.2	\$7.23	3.38"
	Med.	04509	4,8	60A15/F/VR/130 2PK	130	120	Box(2)	Frost	C9	2500	2700	540	2.2	\$7.23	3.38"

* Based on 3 hrs./day

** Based on 3 hrs./day 11¢/kWh — Cost depends on rates and use.

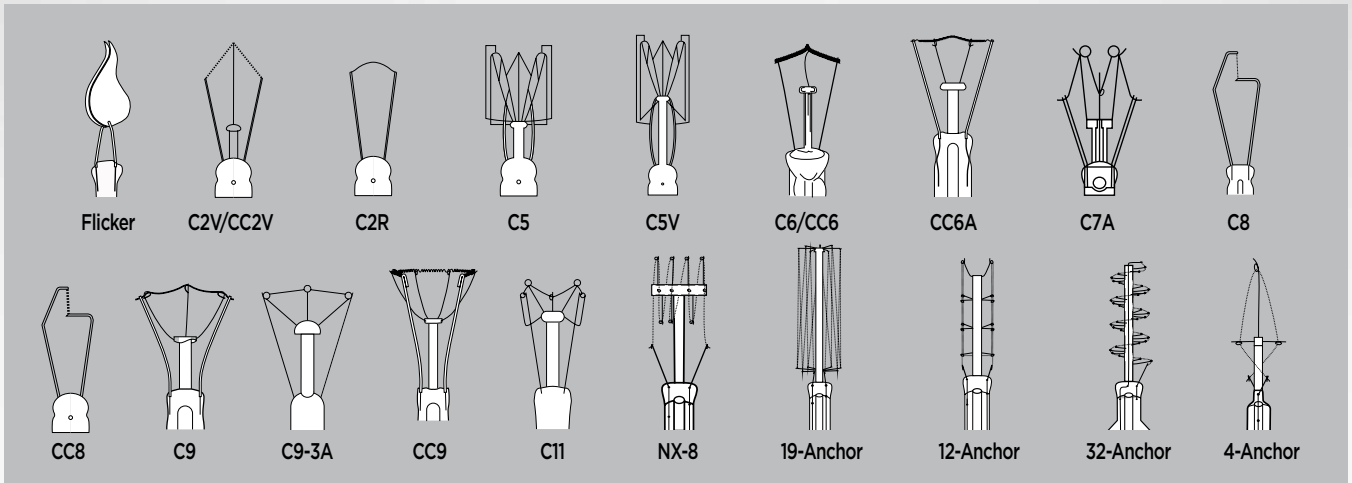
Footnotes

- 1 New Item
 - 2 Canadian Standards Association
 - 3 Eco-Halogen Energy-Saving Technology
- www.westinghouselighting.com

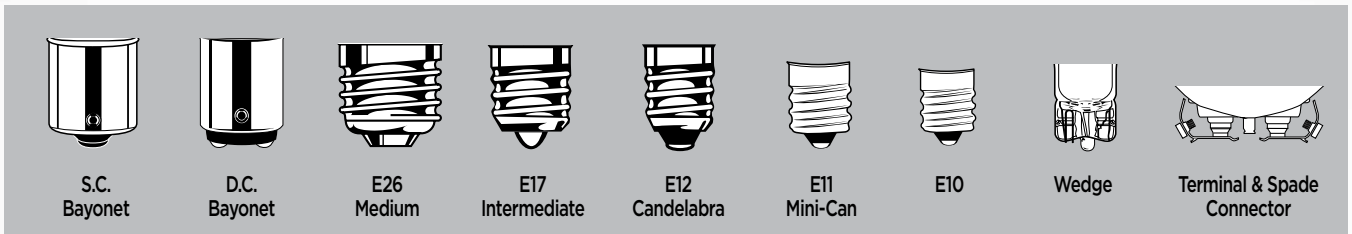
- 4 Commercial Service*
- 5 Fan
- 6 Non-Stick Base

- 7 Krypton(KR)
- 8 Vibration Resistant lamps are designed for vibration service only.
- 9 Rough Service lamps are designed for rough service applications.

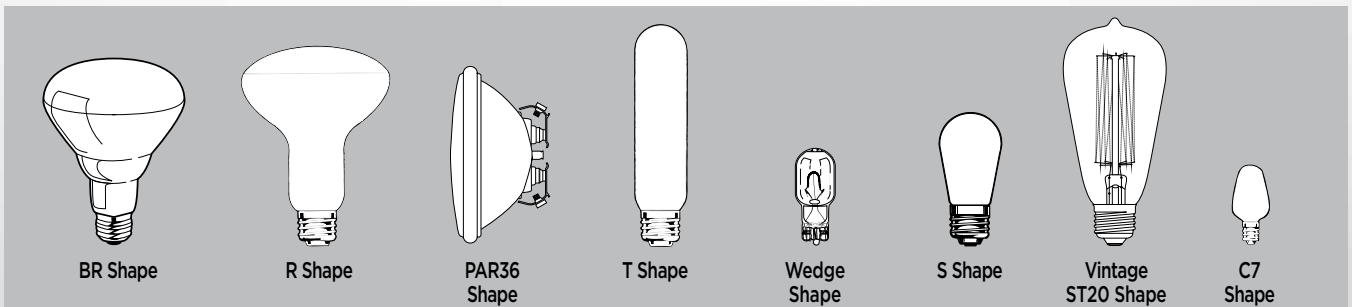
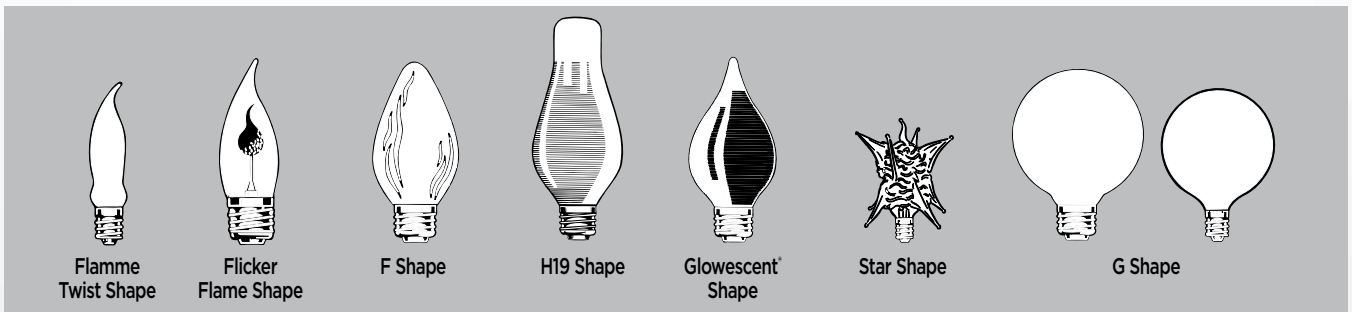
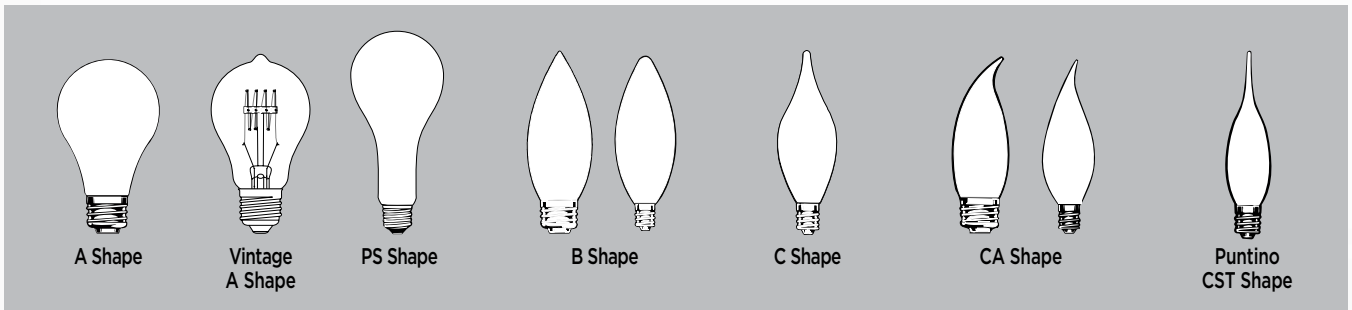
FILAMENT DESIGNATIONS



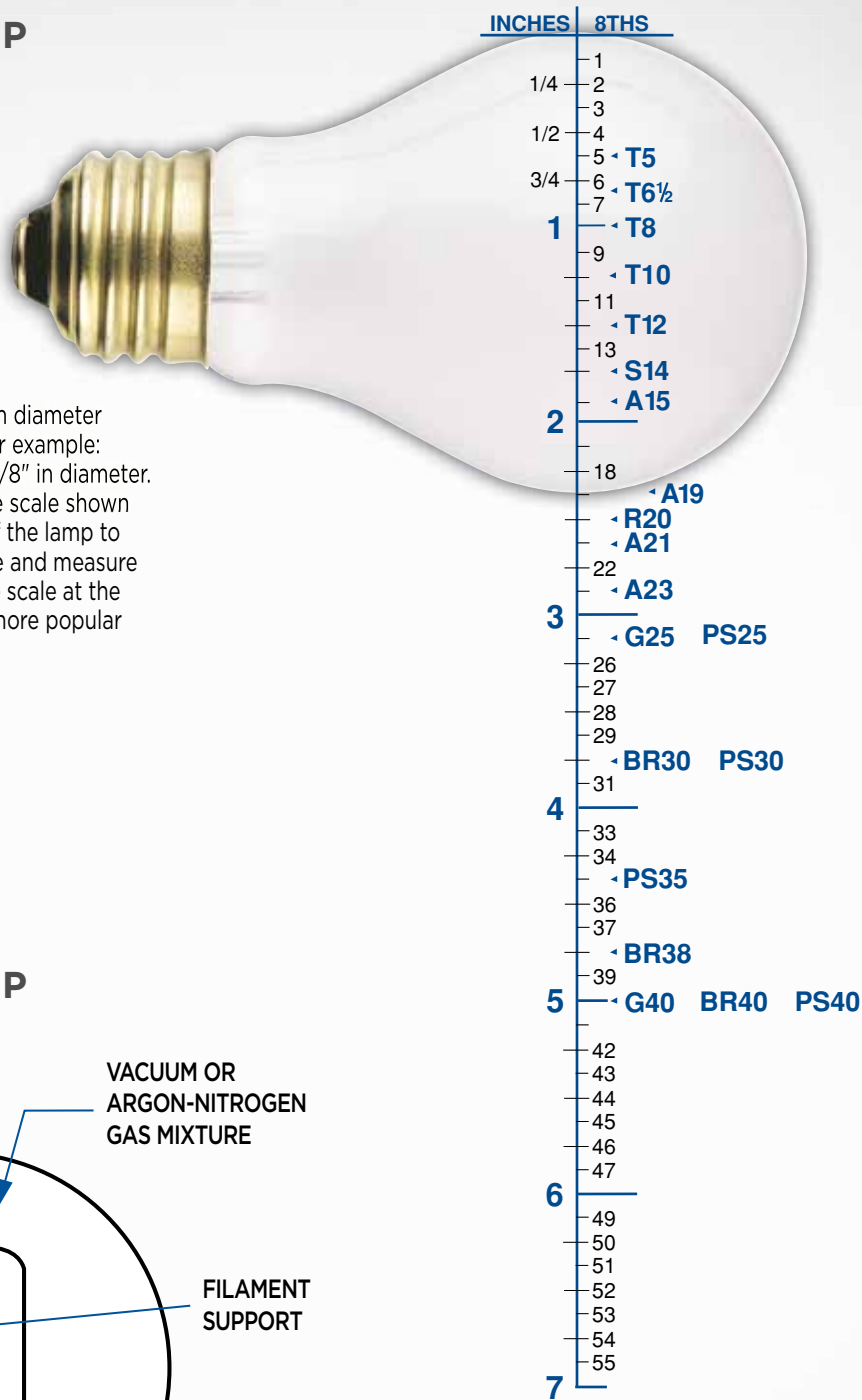
INCANDESCENT BASE TYPES



INCANDESCENT LAMP SHAPES



INCANDESCENT LAMP SIZE REFERENCE



LAMP SIZE (shown in actual size)

Lamp size is determined by the maximum diameter expressed in eighths of an inch (1/8"). For example: an A19 lamp is 19-eighths of an inch or 19/8" in diameter. To determine a lamp size, use the full size scale shown (calibrated in eighths). Place one edge of the lamp to be identified on the top edge of the scale and measure the approximate diameter by reading the scale at the opposite edge of the lamp. Sizes of the more popular lamp types are indicated on the scale.

INCANDESCENT LAMP COMPONENTS

