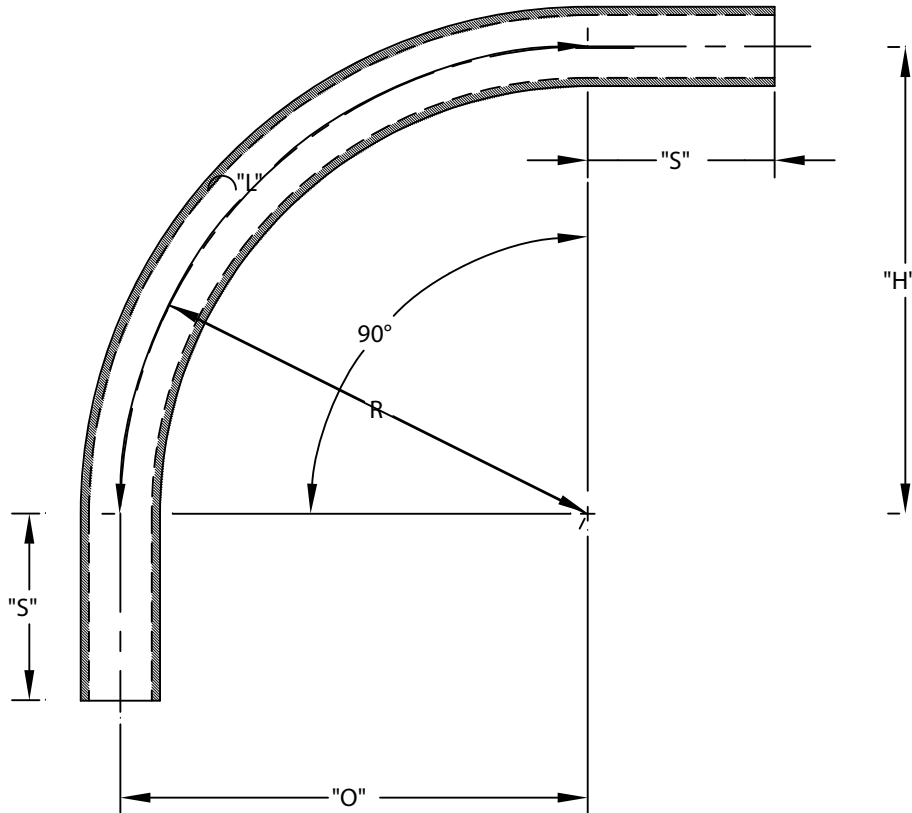


PART NUMBER	SIZE	"R"	"O"	"H"	"S" MIN	"B" MIN	"L"
5121053	1/2"	4"	4"	4"	1 1/2"	N/A	6 1/4"
5121054	3/4"	4 1/2"	4 1/2"	4 1/2"	1 1/2"	N/A	7 1/8"
5121055	1"	5 3/4"	5 3/4"	5 3/4"	1 7/8"	N/A	9"
5121056	1 1/4"	7 1/4"	7 1/4"	7 1/4"	2"	N/A	11 3/8"
5121057	1 1/2"	8 1/4"	8 1/4"	8 1/4"	2"	N/A	13"
5121058	2"	9 1/2"	9 1/2"	9 1/2"	2"	N/A	15"
5121059	2 1/2"	10 1/2"	10 1/2"	10 1/2"	3"	N/A	16 1/2"
5121060	3"	13"	13"	13"	3 1/8"	N/A	20 3/8"
5121061	4"	16"	16"	16"	3 3/8"	N/A	25 1/8"
5121062	5"	24"	24"	24"	3 5/8"	N/A	37 5/8"
5121063	6"	30"	30"	30"	3 3/4"	N/A	47 1/8"



ETL LISTED  
 CONFORMS TO UL651  
 ETL CONTROL #3107144  
 CONFORMS TO NEMA TC3  
 SEE NEC ARTICLE 352 FOR USE  
 MATERIAL IS RIGID PVC  
 BEND TOLERANCE IS ±2°



**CANTEX**  
 INC.  
 Fort Worth, TEXAS

90° Elbows Plain End  
 Schedule 80 Standard Radius Elbows

Drawn By: CD Branch

Date: 10/15/07

Ref.