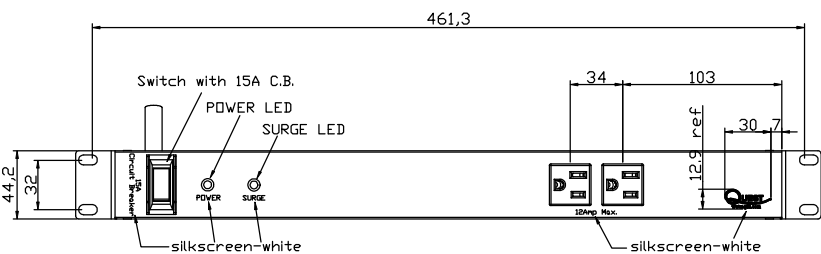
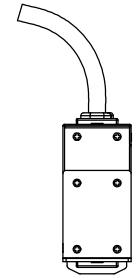
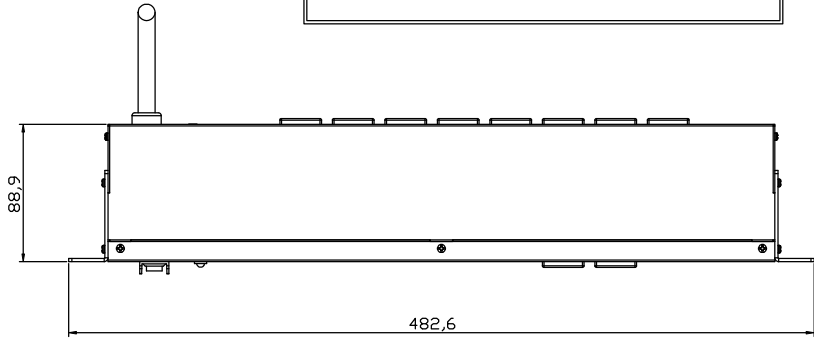
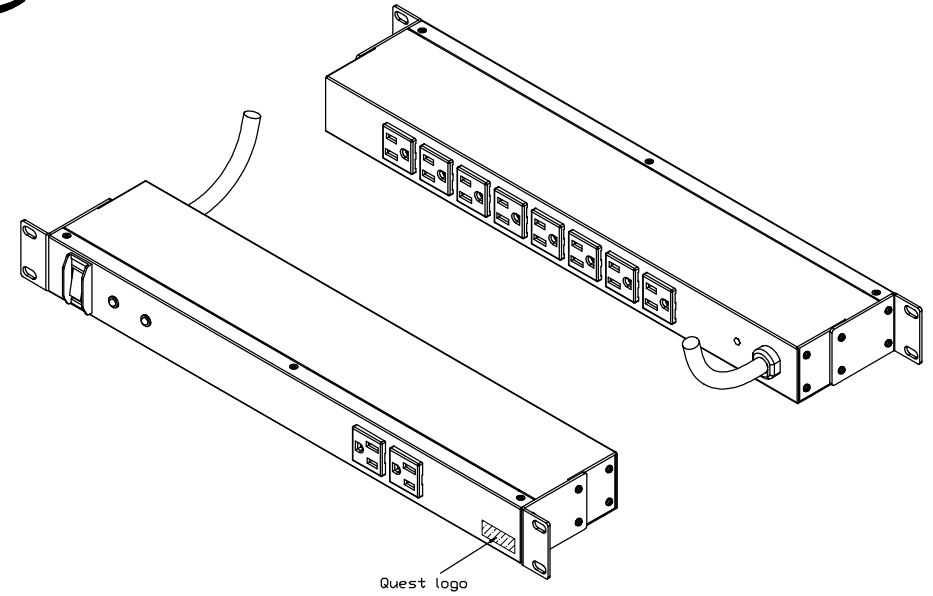
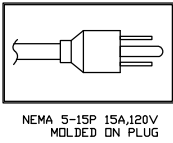


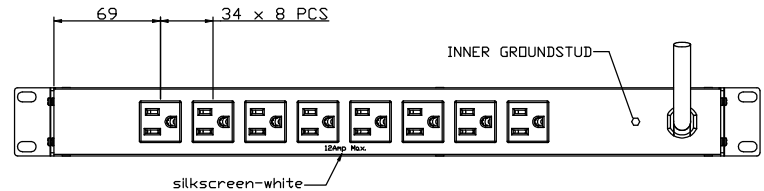
6	7	8
VER	DATE	UPDATE
A	20110131	release
		APP'D
		JSL

**19" Vertical PDU w/10 AC Outlets**

Part Number..... HPS-E10A  
 Mounting..... Horizontal  
 AC Rating Volts..... 120Vac  
 AC Rating Amps..... 12Amp  
 AC Rating Watts..... 1440W  
 AC Rating Frequency-Hz..... 60 HZ  
 Switch With Circuit Breaker..... 15A  
 Surge Level..... A3 (Including EMI Protection)  
 Joule Rating..... 1050j  
 Surge Indicator..... Green LED  
 Power Cable AWG..... 14/3 SJT  
 Power Cable Length..... 6 ft  
 Power Indicator..... Red LED  
 Plug Type..... NEMA 5-15P  
 Receptacle Type..... NEMA 5-15R  
 Receptacle Quantity..... 10  
 Max. Output Per Outlet..... 12Amp  
 UL Rating..... 60950-1  
 Certification/Agency Approvals..... UL



Front View



Rear View



	NAME	DATE	DIMENSION TOLERANCE	MATERIAL	QUEST	
DRAWN	VNC	2011/01/31	X±0.3	SECC	HPS-E10A with silkscreen	
CHECKED	TYC	2011/01/31	.X±0.1			
APP'D	JSL	2011/01/31	.XX±0.05	SHEET	PART NO:	HPS-E10A
SCALE:	1:2	VERSION: A	X'±2"	OF	DRAW NO:	W459-101502A3
			.X'±.5"			