

Condulet GUA conduit outlet boxes with covers

Cl. I, Div. 1 & 2, Groups B, C, D
 Cl. II, Div. 1, Groups E, F, G
 Cl. II, Div. 2, Groups F, G
 Cl. III
 NEMA 3, 4, 7CD, 9EFG

Explosionproof
 Dust-ignitionproof
 Raintight
 Wet Locations

3F

Applications:

GUA conduit outlet boxes are installed within hazardous area conduit systems to:

- Protect conductors in threaded rigid conduit
- Act as pull and splice boxes
- Connect lengths of conduit
- Change conduit direction
- Provide access to conductors for maintenance and future system changes
- Act as mounting outlets for fixtures (with appropriate covers)
- Act as sealing fittings (with appropriate covers)

Features:

GUA conduit boxes have:

- Neoprene o-ring standard to meet NEMA 4 requirements
- Cast ears on cover to permit easy removal and tightening
- Internal green ground screw #8
- Four standard mounting pads except for boxes with bottom hubs
- Threaded cover openings
- Ten different hub arrangements
- Taper threaded hubs to provide grounding continuity
- Smooth integral hub bushing protects conductor insulation when pulling
- Surface covers furnished with boxes
- Sealing covers, dome covers and fixture hanger covers are available
- Cover threads are 12 pitch standard; 16 pitch on select aluminum shapes and sizes

Certifications and compliances:

NEC/CEC:

- Class I, Divisions 1 & 2, Groups B, C, D
- Class II, Division 1, Groups E, F, G
- Class II, Division 2, Groups F, G
- Class III

UL standard:

- UL1203

ANSI standard:

- C33.27

CSA standard:

- C22.2 No. 30

Environmental ratings:

- NEMA/EEMAC 3, 4

Standard materials:

- Bodies – Feraloy iron alloy
- Covers – copper-free aluminum

Standard finishes:

- Feraloy iron alloy – electrogalvanized and aluminum acrylic paint
- Aluminum – natural

Options:

Description

- Bodies – copper-free aluminum **SA**
Available in select shapes and sizes
- Covers – Feraloy iron alloy..... **WOD**
Electrogalvanized and aluminum acrylic paint finish
- GUA Form 6 (with 3" cover opening)..... **VW**
Available with optional cover with viewing window
- Corro-free epoxy powder coat..... **S752**
- To order box less cover..... **Add '0' to end of catalog number**
- Factory installed terminal blocks mounted to DIN rail **DIN12 - DIN112**
- Factory installed terminal blocks directly mounted to outlet box..... **TB14 - TB112**

Note: When assembled with sealing type cover, GUA outlet boxes provide adequate sealing for 40% fill in hazardous areas – Class I, Groups C, D; Class II, Groups E, F, G; and Class III. Seals can be made in either horizontal or vertical positions. Use Chico® A sealing compound or Chico SpeedSeal™ only. Conductor splices or connections must not be made in enclosures where sealing compound is to be used per NEC.

Accessories (ordered separately):

- | | |
|----------------------------------|---------------|
| Description | Cat. # |
| • Replacement ground screw | GSP1 |

Ordering information:

GUA



Hub size	Cover opening dia.	Cat. #
1/2"	2"	GUA14
3/4"	2"	GUA24
1/2"	3"	GUA16
3/4"	3"	GUA26
1"	3"	GUA36
1 1/4"	3 5/8"	GUA47
1 1/2"	5"	GUA59

GUAB



Hub size	Cover opening dia.	Cat. #
1/2"	2"	GUAB14 B
3/4"	2"	GUAB24
1/2"	3"	GUAB16 A
3/4"	3"	GUAB26 A
1"	3"	GUAB36 A
1 1/4"	3 5/8"	GUAB47 B
1 1/2"	5"	GUAB59 A
2"	5"	GUAB69 A

GUAC



Hub size	Cover opening dia.	Cat. #
1/2"	2"	GUAC14 B
3/4"	2"	GUAC24 B
1/2"	3"	GUAC16 A
3/4"	3"	GUAC26 A
1"	3"	GUAC36 A
1 1/4"	3 5/8"	GUAC47 B
1 1/4"	5"	GUAC49 A
1 1/2"	5"	GUAC59 A
2"	5"	GUAC69 A

GUAD



Hub size	Cover opening dia.	Cat. #
1/2"	2"	GUAD14
3/4"	2"	GUAD24
1/2"	3"	GUAD16
3/4"	3"	GUAD26 B
1"	3"	GUAD36 B
1 1/4"	5"	GUAD49

A May be ordered with suffix 'SA'; listed for Class I, Divisions 1 & 2, Groups B, C and D, Class II, Division 1, Groups E, F, G and Class III. Covers have 16 pitch threads.

B May be ordered with suffix 'SA' (copper-free aluminum).

Condulet GUA conduit outlet boxes with covers

Cl. I, Div. 1 & 2, Groups B[ⓐ], C, D
 Cl. II, Div. 1, Groups E, F, G
 Cl. II, Div. 2, Groups F, G
 Cl. III
 NEMA 3, 4, 7CD, 9EFG

Explosionproof
 Dust-ignitionproof
 Raintight
 Wet Locations

3F
3F

Ordering information (continued):

GUAL



Hub size	Cover opening dia.	Cat. #
1/2"	2"	GUAL14 [ⓐ]
3/4"	2"	GUAL24 [ⓐ]
1/2"	3"	GUAL16 [ⓐ]
3/4"	3"	GUAL26 [ⓐ]
1"	3"	GUAL36 [ⓐ]
1 1/4"	3 5/8"	GUAL47 [ⓐ]
1 1/4"	5"	GUAL49 [ⓐ]
1 1/2"	5"	GUAL59 [ⓐ]
2"	5"	GUAL69 [ⓐ]

GUAN[ⓐ]



Hub size	Cover opening dia.	Cat. #
1/2"	2"	GUAN14
3/4"	2"	GUAN24
1/2"	3"	GUAN16
3/4"	3"	GUAN26
1"	3"	GUAN36
1 1/4"	3 5/8"	GUAN47
1 1/2"	5"	GUAN59
2"	5"	GUAN69

GUAT



Hub size	Cover opening dia.	Cat. #
1/2"	2"	GUAT14 [ⓐ]
3/4"	2"	GUAT24 [ⓐ]
1/2"	3"	GUAT16 [ⓐ]
3/4"	3"	GUAT26 [ⓐ]
1"	3"	GUAT36 [ⓐ]
1"	3 5/8"	GUAT37
1 1/4"	3 5/8"	GUAT47 [ⓐ]
1 1/4"	5"	GUAT49 [ⓐ]
1 1/2"	5"	GUAT59 [ⓐ]
2"	5"	GUAT69 [ⓐ]

GUAX



Hub size	Cover opening dia.	Cat. #
1/2"	2"	GUAX14
3/4"	2"	GUAX24
1/2"	3"	GUAX16 [ⓐ]
3/4"	3"	GUAX26 [ⓐ]
1"	3"	GUAX36 [ⓐ]
1"	3 5/8"	GUAX37 [ⓐ]
1 1/4"	3 5/8"	GUAX47 [ⓐ]
1 1/4"	5"	GUAX49 [ⓐ]
1 1/2"	5"	GUAX59 [ⓐ]
2"	5"	GUAX69 [ⓐ]

GUAM[ⓐ]



Hub size	Cover opening dia.	Cat. #
1/2"	2"	GUAM14
3/4"	2"	GUAM24
1/2"	3"	GUAM16
3/4"	3"	GUAM26
1"	3"	GUAM36
1 1/4"	3 5/8"	GUAM47
2"	5"	GUAM69

GUAW



Hub size	Cover opening dia.	Cat. #
1/2"	2"	GUAW14
3/4"	2"	GUAW24 [ⓐ]
1/2"	3"	GUAW16
3/4"	3"	GUAW26 [ⓐ]

[ⓐ] May be ordered with suffix 'SA'; listed for Class I, Divisions 1 & 2, Groups B, C and D, Class II, Division 1, Groups E, F, G and Class III. Covers have 16 pitch threads.

[ⓑ] May be ordered with suffix 'SA' (copper-free aluminum).

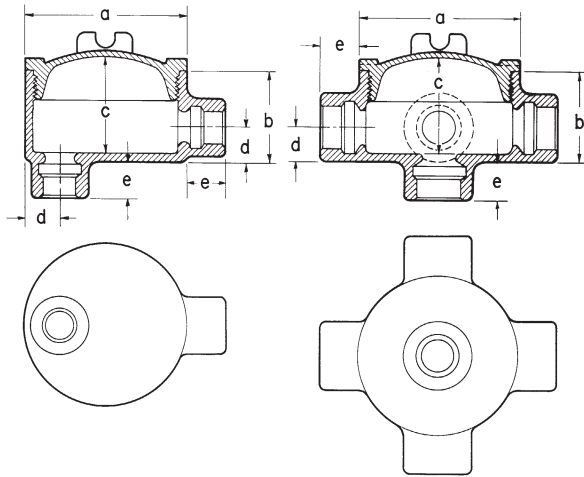
[ⓐ] Not available with suffix 'SA'.

Condulet GUA conduit outlet boxes with covers

Cl. I, Div. 1 & 2, Groups B, C, D
 Cl. II, Div. 1, Groups E, F, G
 Cl. II, Div. 2, Groups F, G
 Cl. III
 NEMA 3, 4, 7CD, 9EFG

Explosionproof
 Dust-ignitionproof
 Raintight
 Wet Locations

Dimensions (in inches):



GUAB only

All others

GUA, GUAD, GUAM, GUAW, GUAX

Cat. #	a	b	c	d
14	2 ¹ / ₂	1 ¹³ / ₁₆	1 ³ / ₄	⁵ / ₈
24	2 ¹ / ₂	2	2	³ / ₄
16	3 ¹ / ₂	2	2 ¹ / ₁₆	⁵ / ₈
26	3 ¹ / ₂	2	2 ¹ / ₁₆	³ / ₄
36	3 ¹ / ₂	2 ⁵ / ₁₆	2 ³ / ₈	⁷ / ₈
37	4 ¹ / ₄	2 ¹¹ / ₁₆	2 ⁵ / ₁₆	⁷ / ₈
47	4 ¹ / ₄	2 ¹¹ / ₁₆	2 ⁵ / ₈	1 ³ / ₃₂
49	5 ³ / ₄	4 ¹ / ₃₂	4 ³ / ₁₆	1 ³ / ₃₂
59	5 ³ / ₄	4 ¹ / ₃₂	4 ³ / ₁₆	1 ⁷ / ₃₂
69	5 ³ / ₄	4 ¹ / ₃₂	4 ³ / ₁₆	1 ¹ / ₂

Hub size	Dimension 'e' length
¹ / ₂ " - ³ / ₄ "	⁷ / ₈
1" - 1 ¹ / ₄ "	1
1 ¹ / ₂ " - 2"	1 ¹ / ₁₆

GUAC, GUAT

Cat. #	a	b	c	d
14	2 ¹ / ₂	2 ¹ / ₄	2 ³ / ₁₆	⁵ / ₈
24	2 ¹ / ₂	2	2	³ / ₄
16	3 ¹ / ₂	2	2 ¹ / ₁₆	⁵ / ₈
26	3 ¹ / ₂	2	2 ¹ / ₁₆	³ / ₄
36	3 ¹ / ₂	2 ⁵ / ₁₆	2 ³ / ₈	⁷ / ₈
37	4 ¹ / ₄	2 ¹¹ / ₁₆	2 ⁵ / ₁₆	⁷ / ₈
47	4 ¹ / ₄	2 ¹¹ / ₁₆	2 ⁵ / ₈	1 ³ / ₃₂
49	5 ³ / ₄	4 ¹ / ₃₂	4 ³ / ₁₆	1 ³ / ₃₂
59	5 ³ / ₄	4 ¹ / ₃₂	4 ³ / ₁₆	1 ⁷ / ₃₂
69	5 ³ / ₄	4 ¹ / ₃₂	4 ³ / ₁₆	1 ¹ / ₂

GUAN

Cat. #	a	b	c	d
14	2 ¹ / ₂	2 ¹ / ₈	2 ¹ / ₁₆	⁵ / ₈
24	2 ¹ / ₂	2 ⁵ / ₁₆	2 ¹ / ₄	³ / ₄
16	3 ¹ / ₂	2	2 ¹ / ₁₆	⁵ / ₈
26	3 ¹ / ₂	2	2 ¹ / ₁₆	³ / ₄
36	3 ¹ / ₂	2 ⁵ / ₁₆	2 ³ / ₈	⁷ / ₈
47	4 ¹ / ₄	2 ¹¹ / ₁₆	2 ⁵ / ₈	1 ³ / ₃₂
59	5 ³ / ₄	4 ¹ / ₃₂	4 ³ / ₁₆	1 ⁷ / ₃₂
69	5 ³ / ₄	4 ¹ / ₃₂	4 ³ / ₁₆	1 ¹ / ₂

GUAB, GUAL

Cat. #	a	b	c	d
14	2 ¹ / ₂	2 ¹ / ₄	2 ³ / ₁₆	⁵ / ₈
24	2 ¹ / ₂	2 ¹ / ₂	2 ¹ / ₁₆	³ / ₄
16	3 ¹ / ₂	2	2 ¹ / ₁₆	⁵ / ₈
26	3 ¹ / ₂	2	2 ¹ / ₁₆	³ / ₄
36	3 ¹ / ₂	2 ⁵ / ₁₆	2 ³ / ₈	⁷ / ₈
47	4 ¹ / ₄	2 ¹¹ / ₁₆	2 ⁵ / ₈	1 ³ / ₃₂
49	5 ³ / ₄	4 ¹ / ₃₂	4 ³ / ₁₆	1 ³ / ₃₂
59	5 ³ / ₄	4 ¹ / ₃₂	4 ³ / ₁₆	1 ⁷ / ₃₂
69	5 ³ / ₄	4 ¹ / ₃₂	4 ³ / ₁₆	1 ¹ / ₂

Ⓕ May be ordered with suffix 'SA'; listed for Class I, Divisions 1 & 2, Groups B, C and D, Class II, Division 1, Groups E, F, G and Class III. Covers have 16 pitch threads.

Condulet GUA conduit outlet boxes

Covers and accessories

Applications:

Threaded covers, canopies and extensions are used:

- To provide a seal in hazardous areas (sealing cover); *see note below*
- To mount pendant lighting fixtures such as EVA series (fixture canopy)
- To mount EVA pendant lighting fixtures on cover which is then screwed into outlet box without twisting conductors (union hub cover)
- To mount pendant lighting fixtures on cover which is then screwed into outlet box as above, for wiring after fixture stem is installed (nipple cover)
- To provide means of increasing outlet box depth (threaded extension)

Features:

- Surface covers are supplied with GUA boxes
- Sealing cover has removable plug for filling enclosure with sealing compound after installation; sealing cover meets 40% fill requirement of the NEC; *see note below*
- Fixture canopy has a threaded cover in its side to provide access for making splices or taps; fixture with its conduit stem and canopy can be assembled and wired before installation and conductors can be spliced in canopy after it has been screwed into the body
- Cover threads are 12 pitch unless otherwise specified

Standard materials:

- Surface and dome covers, union hub covers, nipple covers – copper-free aluminum
- Sealing covers, fixture canopies, threaded extensions – Feraloy iron alloy

Standard finishes:

- Aluminum – natural
- Feraloy iron alloy – electrogalvanized and aluminum acrylic paint

Options:

- | | |
|-------------------------------------|---------------|
| Description | Suffix |
| • Corro-free epoxy powder coat..... | S752 |
| • Iron surface cover..... | WOD |

Size ranges:

- Fixture stems – 3/4"
- Body openings – 2" to 5"

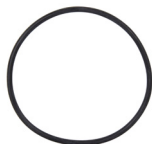
Note: Depth of sealing compound in body must satisfy requirements of NEC Section 501.15(C)(3). Splices and taps in sealing fittings are prohibited by NEC.

Ordering information:

GUA threaded extension



Cover opening dia.	Ext. depth	Cat. #
3"	1 1/4"	GUA0631



GUA cover opening	Cat. # Replacement o-ring gasket
2"	GASK1713
3"	GASK1151
3 5/8"	GASK1589
5"	GASK925

Surface cover



Cover opening dia.	Thread pitch	Cat. #
2"	12	GUA04
3"	12	GUA06
3"	16	GUA06 GBⓐ
3 5/8"	12	GUA07
5"	12	GUA09
5"	16	GUA09 GBⓐ

Dome cover



Cover opening dia.	Ext. depth	Thread pitch	Cat. #
2"	2"	12	GUA047
3"	2"	12	GUA067
3 5/8"	2"	12	GUA077
3 5/8"	4"	12	GUA0716
5"	4"	12	GUA514
5"	10"	12	GUA5110

Sealing cover



Cover opening dia.	Thread pitch	Cat. #
2"	12	GUA041
3"	12	GUA062
3"	16	GUA062 GBⓐ
3 5/8"	12	GUA072
5"	12	GUA092

Nipple cover



Cover opening dia.	Fixt. stem size	Thread pitch	Cat. #
3"	3/4"	12	GUA0672

Fixture cover Union hub type



Cover opening dia.	Fixt. stem size	Thread pitch	Cat. #
3"	3/4"	12	GUA0687

Fixture canopy



Cover opening dia.	Fixt. stem size	Thread pitch	Cat. #
3"	3/4"	12	GUA068

ⓐ GUA covers with suffix 'GB' are used with Group B rated GUA aluminum bodies identified with symbols ⓐ ⓑ or ⓒ ⓓ on previous pages.

Condulet GUA conduit outlet boxes

Factory installed terminal block ordering guide

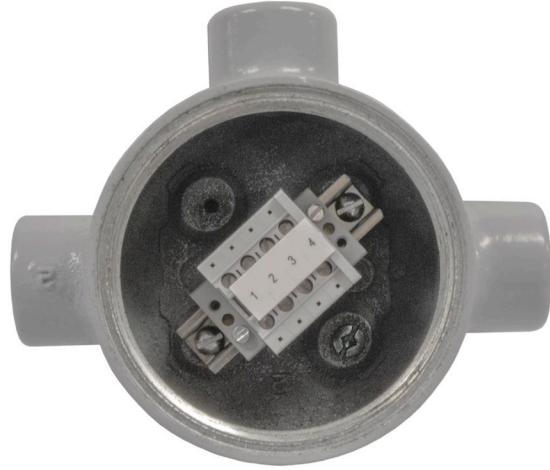
Ordering information:

DIN rail mounted terminal blocks

Electrical specifications:

30A, 150V, AWG 26-10

Cat. #	Description
DIN12	DIN rail mounted, 2 terminal blocks GUA (shapes C, L, T, X) Form 4, 6, 7 & 9 cover diameter openings
DIN13	DIN rail mounted, 3 terminal blocks GUA (shapes C, L, T, X) Form 4, 6, 7 & 9 cover diameter openings
DIN14	DIN rail mounted, 4 terminal blocks GUA (shapes C, L, T, X) Form 6, 7 & 9 cover diameter openings
DIN16	DIN rail mounted, 6 terminal blocks GUA (shapes C, L, T, X), GUAN26 Form 6, 7 & 9 cover diameter openings
DIN18	DIN rail mounted, 8 terminal blocks GUA (shapes C, L, T, X) Form 7 & 9 cover diameter opening
DIN112	DIN rail mounted, 12 terminal blocks GUA (shapes C, L, T, X) Form 9 cover diameter opening



Direct mounted terminal blocks

Electrical specifications:

30A, 300V, AWG 26-10

Cat. #	Description
TB14	Direct mounted terminal block, 4 poles GUA (shapes C, L, T, X) Form 6, 7 & 9 cover diameter openings
TB16	Direct mounted terminal block, 6 poles GUA (shapes C, L, T, X) Form 6, 7 & 9 cover diameter openings
TB18	Direct mounted terminal block, 8 poles GUA (shapes C, L, T, X) Form 7 & 9 cover diameter opening
TB112	Direct mounted terminal block, 12 poles GUA (shapes C, L, T, X) Form 9 cover diameter opening

