

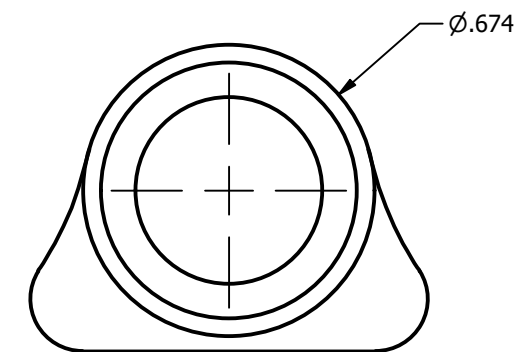
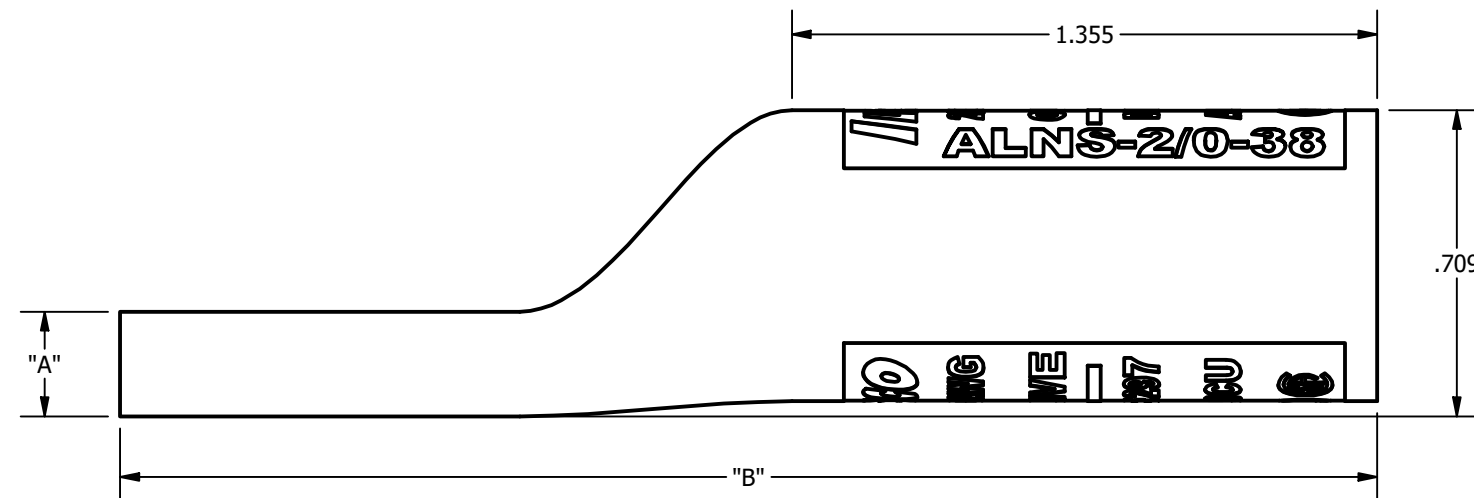
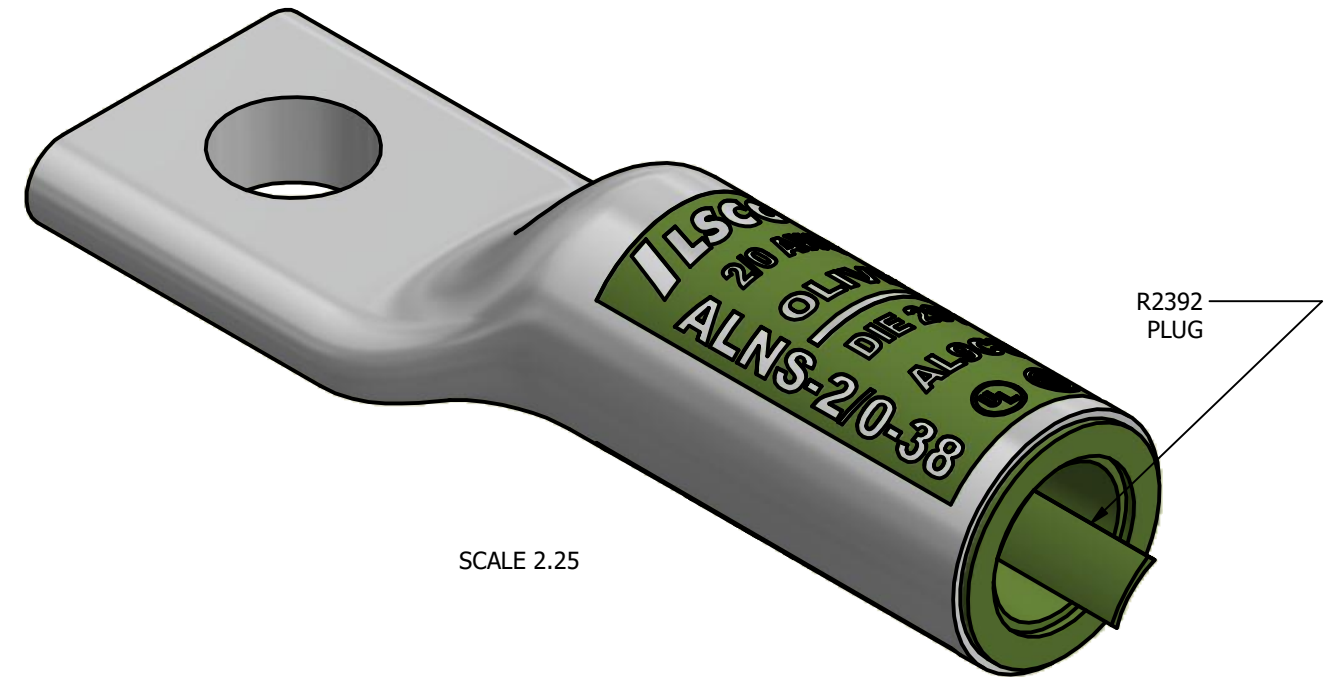
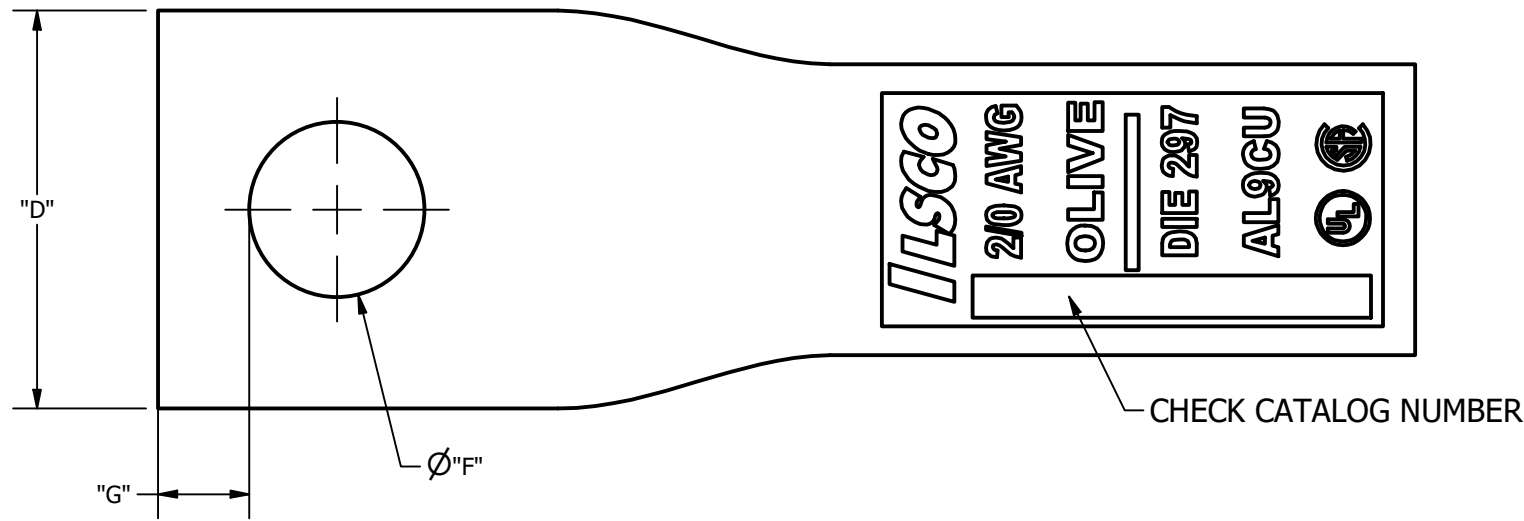
SCREW: NONE
 CAT. NO. SEE CHART
 INFORMATION SHEET: FORM 196

MATERIAL: ALUMINUM
 PLATING: EL-TIN
 MARKING: SEE CHART

REV: J
 DRAWN BY: NWV
 DATE: 5/30/2013
 SCALE: NTS
 SIZE: B



DWG NO: YA0803, YAN0803 Single
 SHEET: 1 OF 1



Catalog Number	"A"	"B"	"D"	"F"	"G"
ALNS-2/0-38	0.242	2.910	.921	0.406	0.211
ALNN-2/0-38	0.238	2.889	.644	0.406	0.211
ALNS-2/0-12	0.242	3.285	.921	0.562	0.265