


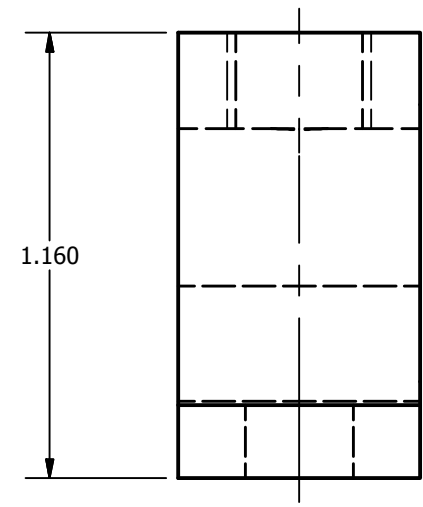
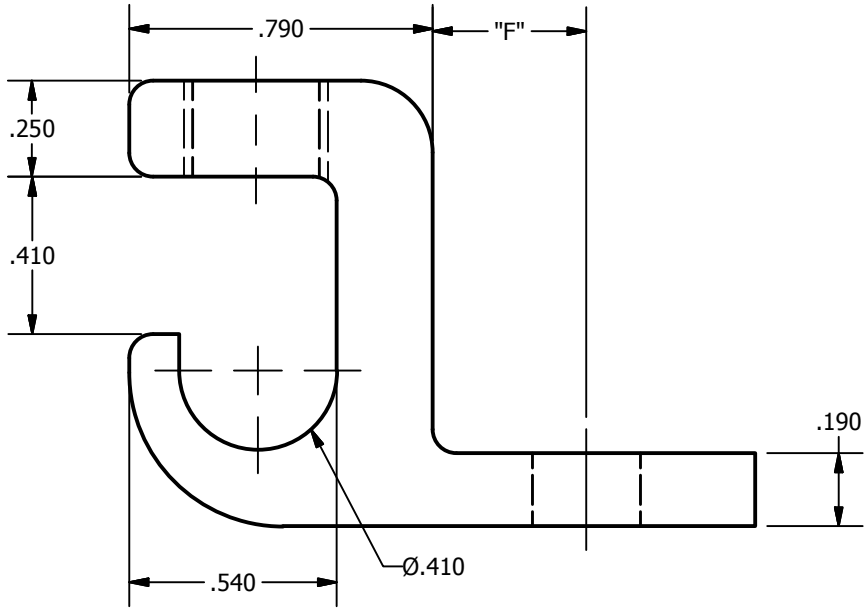
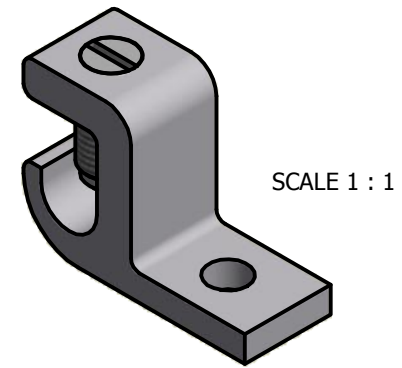
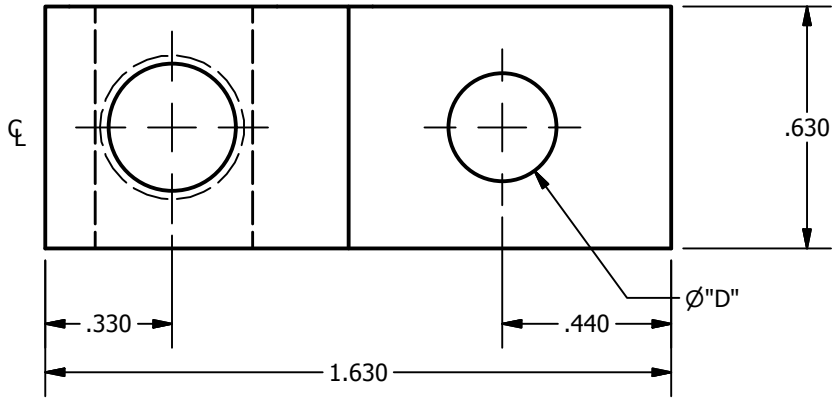
SCREW: SEE CHART  
 CAT. NO.: SEE CHART  
 INFORMATION SHEET: FORM 1

MATERIAL: ALUMINUM  
 PLATING: EL-TIN  
 MARKING: ILSCO, G937, 1/0-14, AL-CU 

REV: Q  
 DRAWN BY: CLH  
 DATE: 7/19/2007

SCALE: 2:1  
 SIZE: A

**ILSCO**  
*connections matter*  
 800-776-9775 www.ilsco.com  
 DWG. NO. **G0937**  
 SHEET: 1 OF 1



CAT #	DEVIATION	"F"	"D"	SCREW
GBL-1/OSS, A00T	C00T	.400	.281	E0975C92Z
GBL-1/0, GBL-1/0-B2, A02T	C00T	.400	.281	E1556C00H
SGC-1/0, A01T	A01T	.313	.219	E0975C92Z
A03T	A03T	.313	.219	E1556C00H