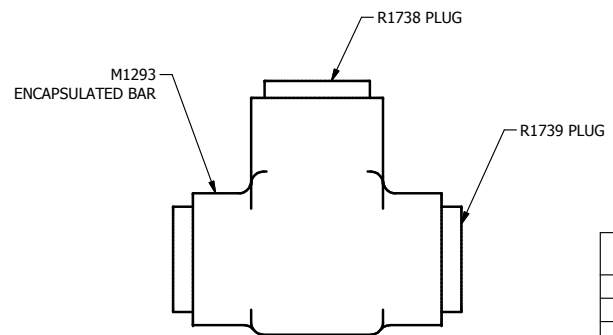
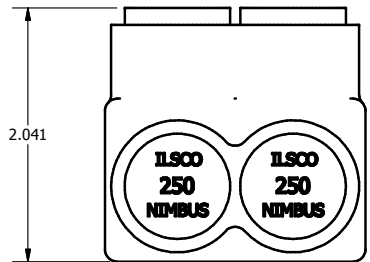
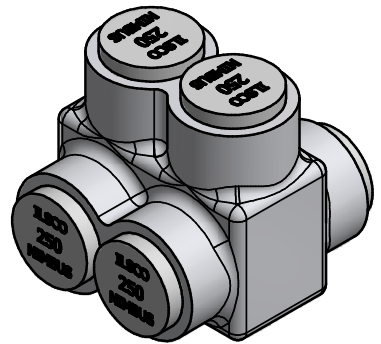
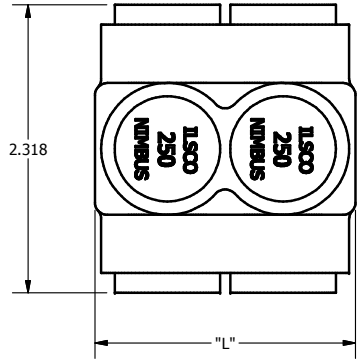


SCREW: E0969	MATERIAL: NONE	REV: L
CAT. NO.: SEE CHART	PLATING: NONE	DRAWN BY:CLH SCALE:
INFORMATION SHEET:FORM 1	MARKING: NONE	DATE:1/21/2008 SIZE: B



DWG NO: **M1293**
 SHEET: 1 OF 1



CAT. NO.	"L"	NO. OF SCREW PORTS
PBTD-2-250	2.094 IN	2
PBTD-3-250	3.024 IN	3
PBTD-4-250	3.954 IN	4
PBTD-5-250	4.884 IN	5
PBTD-6-250	5.814 IN	6
PBTD-7-250	6.744 IN	7
PBTD-8-250	7.674 IN	8
PBTD-9-250	8.604 IN	9
PBTD-10-250	9.534 IN	10
PBTD-11-250	10.464 IN	11
PBTD-12-250	11.394 IN	12
PBTD-13-250	12.324 IN	13
PBTD-14-250	13.254 IN	14