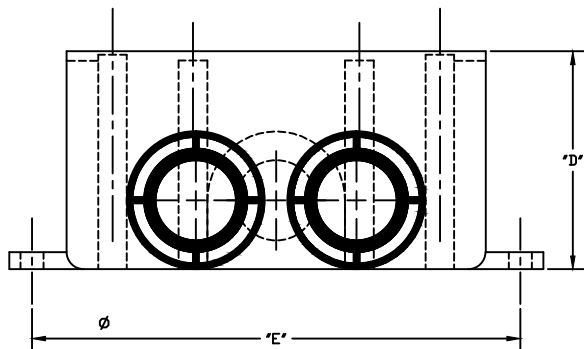
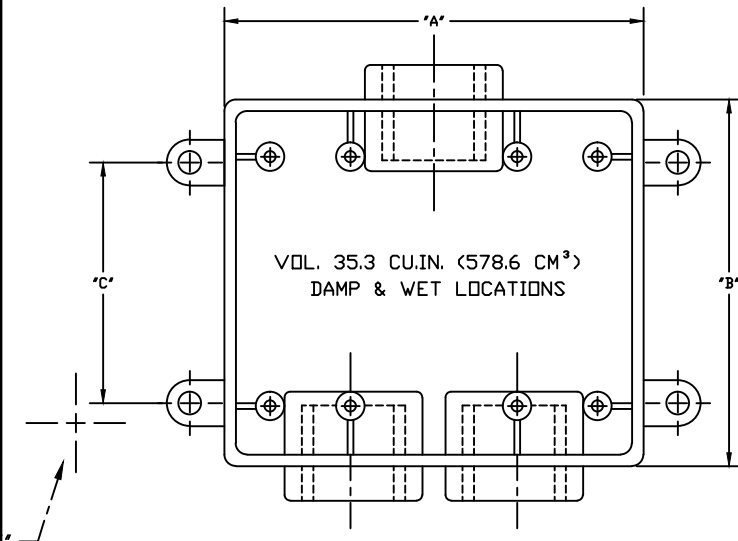
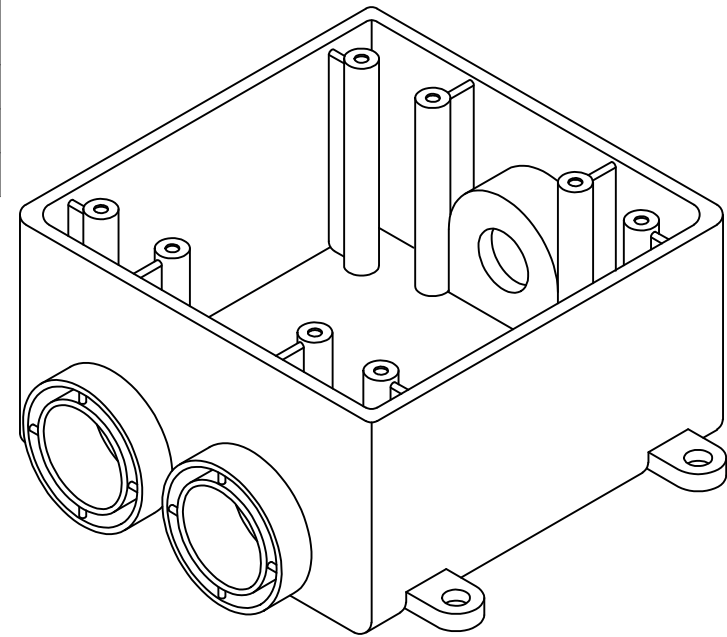


PART NUMBER	SIZE	"A"	"B"	"C"	"D"	"E"	"F"
5133400	1/2	4 9/16"	4 9/16"	3 1/4"	2 3/8"	5 1/4"	7/8"
5133401	3/4	4 9/16"	4 9/16"	3 1/4"	2 3/8"	5 1/4"	1 1/16"
5133402	1	4 9/16"	4 9/16"	3 1/4"	2 3/8"	5 1/4"	1 5/16"



UL Listed
 UL File # E98429
 UL Category Code QCXJ
 UL Control Number 39N9
 Material Is Rigid PVC



CANTEX INC. Fort Worth, TEXAS		
Two-Gang Type FSCC Exposed Boxes		
Drawn By: O.M.	Date: 5/15/17	Ref. 5133400