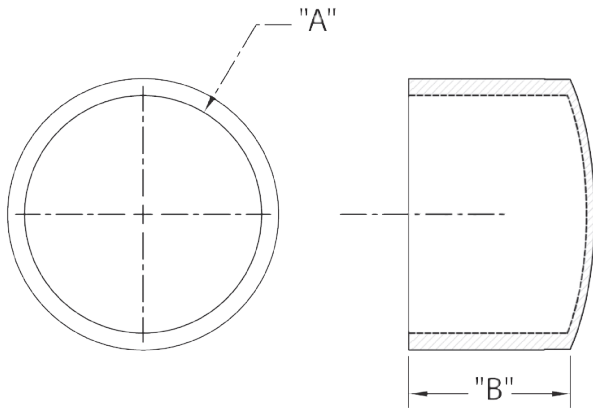


End Caps



1/2" through 4", and 8",
have domed top



5" and 6"
have flat top

Trade Size (in)	Catalog Part Number	System Part Number	A	B
1/2	EC05	59645	0.88	0.88
3/4	EC07	59646	1.06	1.06
1	EC10	59647	1.38	1.25
1 1/2	EC12	59648	1.69	1.31
1 1/2	EC15	59649	1.94	1.56
2	EC20	59125	2.38	1.63
2 1/2	EC25	59126	2.88	2.00
3	EC30	59127	3.56	2.38
3 1/2	EC35	59131	4.00	2.31
4	EC40	59128	4.50	2.38
5	EC50	59129	5.56	2.50
6	EC60	59130	6.63	3.00
8	EC80	924585	8.62	4.56

- Dimensions are nominal (inches) and are subject to normal manufacturing tolerances
- NEMA TC-3 compliant (up to 6")
- For use with SCH⁴⁰ and DB/EB applications
- 1/2" - 6": Gray (UL-listed) --- 8" White (no UL)
- Images, pictures and dimensions are representative of selected items that may be provided under the part numbers shown. Due to manufacturer specific designs and normal variations allowed by applicable standards, items delivered may differ in some respects

