

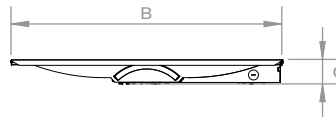
FEATURES

- Switchable Lumen technology:
3250/3750/5000 lumens (2x2 size)
3750/5000/6000 lumens (2x4 size)
- Switchable CCT technology: 3500/4000/5000K
- 80+ CRI
- 0-10V 1% Dim to Off driver (standard) provides superior dimming capabilities
- 120-347V, standard
- 5-Wire flex and EM battery pack options available
- Up to 157 lumens per watt

tradeSELECT®



SERVICE PROGRAM



Typical Dimensions and Weights				
Sizes	(A) Length Inches (mm)	(B) Width Inches (mm)	(C) Height Inches (mm)	Weight lbs (kg)
2x2'	23.74 (603)	23.74 (603)	2.15 (54.6)	6.4 (2.9)
2x4'	47.76 (1213)			11.7 (5.3)

SPECIFICATIONS

CONSTRUCTION

- Low profile design is ideal for shallow plenum applications
- Luminaire housing is die formed code-gauge steel

OPTICS

- Frosted lens has a textured finish that provides a smooth, even illumination

INSTALLATION

- Fully assembled for quick installation
- Integral T-bar clips for secure mounting to 3/8" and 5/8" grid ceiling
- For surface mount applications, use surface mount kit accessories
- For plaster or sheet rock installations, use flange kit accessories
- For cable mount applications use surface mount kit accessory and cable kit accessory

ELECTRICAL

- Operates at 120-347V
- 1.3V minimum low-end trim recommended when paired with a 0-10V dimmer
- 0-10V 1% Dim to Off driver is standard
- Switchable luminaire default settings at highest lumen output and 3500K

CERTIFICATIONS

- All luminaires are built to UL 1598 standards and bear appropriate CSA labels
- Damp location label standard
- IC label is standard for recessed products. Note that IC label is void if product is installed on site with a combination of both battery pack and through wiring

CERTIFICATIONS (CONTINUED)

- Adheres to LM79, LM80, and TM21 industry standards for photometrics and lifetime calculations
- Emergency battery pack options are California Energy Commission (CEC) Title 20 compliant
- DLC® (DesignLights Consortium Qualified.) Please refer to the DLC website for specific product qualifications at www.designlights.org

WARRANTY

- 5 year warranty

STOCK GUIDE



Catalog No.	UPC	Description	Setting	Lumens			Watts	LPW		
				3500K	4000K	5000K		3500K	4000K	5000K
CLT22-LSCS-EDD	840141417356	2x2 Center Lens Troffer, 3250/3750/5000 Switchable Lumens, 3500/4000/5000K Switchable CCT; 0-10V Dim-to-Off Driver; 120-347V	LOW	3279	3423	3339	23	143	149	145
			MED	3786	3980	3863	27	140	147	143
			HIGH	5009	5338	5083	38	132	140	134
CLT24-LSCS-EDD	840141417363	2x4 Center Lens Troffer, 3750/5000/6000 Switchable Lumens, 3500/4000/5000K Switchable CCT; 0-10V Dim-to-Off Driver; 120-347V	LOW	3820	3923	3864	25	153	157	155
			MED	5053	5228	5097	35	144	149	146
			HIGH	6244	6497	6276	45	139	144	139

Default setting for CCT is 3500K and High lumen level

DATE: _____ LOCATION: _____
 TYPE: _____ PROJECT: _____
 CATALOG #: _____

ORDERING GUIDE

Example: CLT22-LSCS-EDD-ELL14

CLT		LSCS	EDD	Options
Model	Size	Lumen Output	Driver	
CLT Center Lens Troffer	22 2'x2' 24 2'x4'	LSCS Lumen & CCT Switchable ¹	EDD 0-10V Dim to Off	ELL14 10W Emergency Battery Pack (CEC Title 20 Compliant) Installed ^{2,5} C588 5-wire Flex C688 6-wire Flex ³ CP Chicago Plenum ⁴

Notes:

- 1 Default settings for CLT is 3500K and the HIGH lumen setting
- 2 To determine the lumen output in emergency mode, multiply the battery wattage by the fixture lumens per watt (LPW)
- 3 Only available with ELL14 option
- 4 Not available with flex options
- 5 ELL14 options are only available for use with 120-277V

ACCESSORY ORDERING GUIDE

Accessories (Order Separately)	Part #	UPC	Notes & Restrictions
Flange Kits			
<input type="checkbox"/> FK22	FK22	078531000752	2x2 Single Flange Kit
<input type="checkbox"/> FK24	FK24	078531038991	2x4 Single Flange Kit
Surface Mount Kits			
<input type="checkbox"/> PSMK22	93302544	662055127912	2x2 Shallow Surface Mount Kit, 63mm
<input type="checkbox"/> PSMK24	93302545	662055127929	2x4 Shallow Surface Mount Kit, 63mm
<input type="checkbox"/> DSMK22	93313898	840141433219	2x2 Deep Surface Mount Kit, 110mm, for use with ELL14 and EMBB options
<input type="checkbox"/> DSMK24	93313899	840141433226	2x4 Deep Surface Mount Kit, 110mm, for use with ELL14 and EMBB options
Cable Mount			
<input type="checkbox"/> CFPCM36YSC5F-KIT	93093113	078531133023	36" Cable Mount Kit for 1' or 2' wide Cable Mount fixtures, 5-wire

Cable Mount Kit not available with 347V
 Surface Mount Kit (PSKM_ or DSMK_) required for Cable Mounting

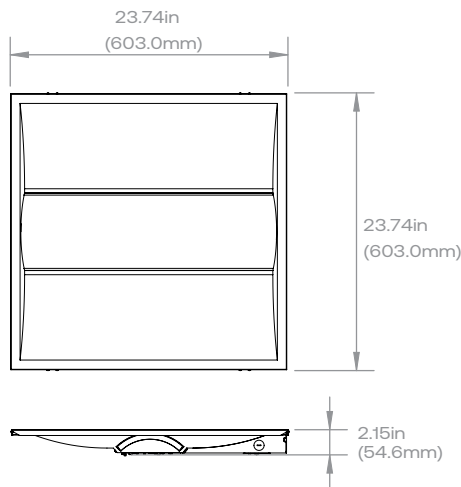
PROJECTED LUMEN MAINTENANCE

Calculation Method	Ambient Temp	25,000 hrs	50,000 hrs	60,000 hrs *
TM-21-11	40°C/104°F	0.95	0.89	0.87
TM-21-22	40°C/104°F	0.95	0.89	0.87

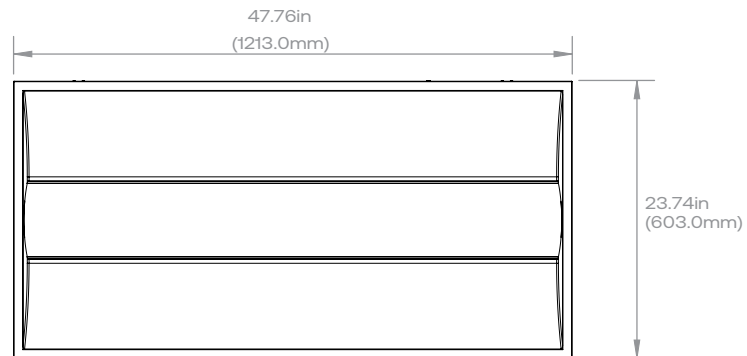
* Lumen maintenance values calculated per TM-21 using six times the LM-80 test time for the LED and in-situ thermal testing of the luminaire.

DIMENSIONS

2X4 GRID CEILING



2X4 GRID CEILING



0-10V DIMMER COMPATIBILITY

Fixture operates at 120–277V. 0–10V dimmable driver, down to 1%.

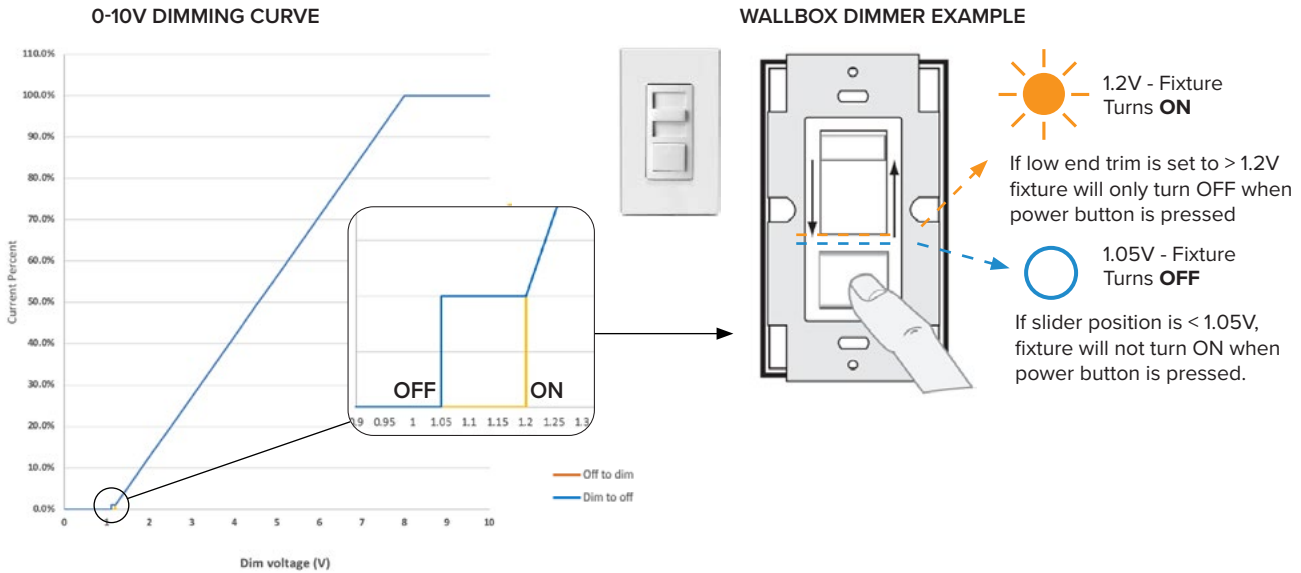
1V minimum low-end trim recommended when paired with a 0–10V dimmer.

List of suitable dimmers based on laboratory testing. Compatibility must be verified by customer before install. Columbia cannot guarantee dimmer compatibility

- NX Lighting Controls RSD0108-UNV-XX
- LUTRON DVTV*
- Synergy® ISD BC120/277
- LUTRON NTSTV-DV
- Enerlites® 51300L*
- Lutron® Diva DVST*

* Dimmers require adjusting knobs to change Low End Trim Voltage below 1.05V

ADDITIONAL DIMMING INFORMATION: DIMMING CURVE



DIM TO DARK FUNCTION

Dimmer Low End Trim Settings	ON/OFF Operation		Dimmer Control Range
> 1.2V	ON/OFF Toggle power control only		Full output to Low End Trim Setting
1.05V to 1.2V	ON Adjust dimmer control above 1.2V + Set power control to ON	OFF Set power control to OFF	Full output to Low End Trim Setting
< 1.05V	ON Adjust dimmer control above 1.2V + Set power control to ON	OFF Set power control to OFF or Adjust dimmer below 1.05V level	Full output to OFF